

REQUEST FOR QUOTATIONS

Transnet Freight Rail a Division of Transnet SOC Ltd. invites all interested parties to respond to a request for quotation (RFQ) as indicated below. All tenders should be submitted on the appropriate tender forms and should be deposited in the **Tender Box** before 12h00 on the closing date of the Tender.

If delivered by hand, the RFQ submissions must be addressed to **The Chairman of the Acquisition Council, Ground Floor Queens Warehouse (Reception Area) 237 Mahatma Gandhi Road Point Durban.**

Tender documents may be obtained Free Of Charge on and after **Wednesday 18 June 2014** and **must be collected before 11h00 on Thursday 1 July 2014** at Transnet Freight Rail, Supply Chain Services, Queen's Warehouse, 237 Mahatma Gandhi Road, Durban during the office hours 09h00 to 15h00 during weekdays.

(NB: No tenders will be issued after this deadline)

RFQ documents may be viewed from the website by clicking on the RFQ number that is highlighted in red on the website: (<http://www.transnetfreightrail-tfr.net/Supplier/Pages/Tenders.aspx>)

RFQ NUMBER: RME DBN 044/2014

DESCRIPTION: SUPPLY AND DELIVERY OF BOLTS AND NUTS

REQUIRED AT: 130 EEL ROAD BAYHEAD DURBAN

A Formal briefing session **will not be held** but should Respondents have specific queries they should e-mail these to the Transnet employee(s) indicated in the (RFQ)

CLOSING DATE: 1 JULY 2014 AT 12H00

For enquiries regarding the collection of the RFQ please contact:

Name: Anne Mongie

Tel : 031 361 1755

Email: anne.mongie@transnet.net

Transnet Freight Rail urges Clients & Suppliers to report fraud/corruption at Transnet to TIPOFFS ANONYMOUS: 0800 003 056



Transnet Freight Rail RME, a division of

TRANSNET SOC LTD

Registration Number 1990/000900/30

[hereinafter referred to as **Transnet**]

REQUEST FOR QUOTATION [RFQ] NO RME DBN-044/2014

FOR THE SUPPLY OF: BOLTS & NUTS

FOR DELIVERY TO: 133 EEL ROAD BAYHEAD DURBAN

ISSUE DATE: 18 JUNE 2014

CLOSING DATE: 1 JULY 2014

CLOSING TIME: 12:00

"PREVIEW COPY ONLY"

Section 1 NOTICE TO BIDDERS

Quotations which must be completed as indicated in Section 2 of this RFQ are to be submitted as follows:

METHOD: Tender Box
CLOSING VENUE: The Chairman of the Acquisition Council
Ground Floor Queens Warehouse
237 Mahatma Gandhi (Point) Road
Point, Durban

1 Responses to RFQ

Responses to this RFQ [**Quotations**] must not include documents of reference relating to any other quotation or proposal. Any additional conditions must be embodied in an accompanying letter.

2 Broad-Based Black Economic Empowerment [B-BBEE]

Transnet fully endorses and supports the Government's Broad-Based Black Economic Empowerment Programme and it would therefore prefer to do business with local business enterprises who share these same values. Transnet will accordingly allow a "preference" to companies who provide a valid B-BBEE Verification Certificate. All procurement transactions will be evaluated accordingly.

2.1 B-BBEE Scorecard and Rating

As prescribed in terms of the Preferential Procurement Policy Framework Act (PPPFA), Act 5 of 2000 and its Regulations, Respondents are to note that the following preference point system is applicable to all bids:

- the 80/20 system for requirements with a Rand value of up to R1 000 000 (all applicable taxes included).
- Bidders are to note that if the 80/20 preference point system is stipulated in this RFQ and all Bids received exceed R1 000 000.00, the RFQ must be cancelled.

The value of this bid is estimated to be below R1000 000 (all applicable taxes included) and therefore the **80/20** system shall be applicable.

When Transnet invites prospective suppliers to submit Proposals for its various expenditure programmes, it requires Respondents to have their B-BBEE status verified in compliance with the Codes of Good Practice issued in terms of the Broad Based Black Economic Empowerment Act No. 53 of 2003.

The Department of Trade and Industry recently revised the Codes of Good Practice on 11 October 2013 [Government Gazette No. 36928]. The Revised Codes will replace the Black Economic Empowerment Codes of Good Practice issued on 9 February 2007. The Revised Codes provide for a one year transitional period starting 11 October 2013. During the transitional period, companies may elect to be measured in terms of the Revised Codes or the 2007 version of the Codes. After

the first year of the implementation of the Revised Codes, B-BBEE compliance will be measured in terms of the Revised Codes without any discretion. Companies which are governed by Sector-specific Codes will be measured in terms of those Sector Codes.

As such, Transnet will accept B-BBEE certificates issued based on the Revised Codes. Transnet will also continue to accept B-BBEE certificates issued in terms of the 2007 version of the Codes provided it was issued before 10 October 2014. Thereafter, Transnet will only accept B-BBEE certificates issued based on the Revised Codes.

Respondents are required to complete Annexure A [the B-BBEE Preference Point Claim Form] and submit it together with proof of their B-BBEE Status as stipulated in the Claim Form in order to obtain preference points for their B-BBEE status.

Note: Failure to submit a valid and original B-BBEE certificate or a certified copy thereof at the Closing Date of this RFQ will result in a score of zero being allocated for B-BBEE.

[Refer clause 19 below for Returnable Documents required.]

2.2 B-BBEE Improvement Plan - Not Applicable

2.3 Supplier Development Initiatives - Not Applicable

3 Communication

a) Respondents are warned that a response will be liable for disqualification should any attempt be made by a Respondent either directly or indirectly to canvass any officer(s) or employee of Transnet in respect of this RFQ between the closing date and the date of the award of the business.

b) A Respondent may, however, before the closing date and time, direct any written enquiries relating to the RFQ to the following Transnet employee:

Name: Anne Mongie Email: anne.mongie@transnet.net

c) Respondents may also, at any time after the closing date of the RFQ, communicate with the Regional Supply Chain Manager Durban Boitumelo Manyakalle on any matter relating to its RFQ response:

Telephone 031 361 1016 Email Boitumelo.manyakalle@transnet.net

Tax Clearance

The Respondent's original and valid Tax Clearance Certificate must accompany the Quotation. Note that no business shall be awarded to any Respondent whose tax matters have not been declared by SARS to be in order.

4 VAT Registration

The valid VAT registration number must be stated here: _____ *[if applicable]*.

5 Legal Compliance

The successful Respondent shall be in full and complete compliance with any and all applicable national and local laws and regulations.

6 Changes to Quotations

Changes by the Respondent to its submission will not be considered after the closing date and time.

7 Pricing

All prices must be quoted in South African Rand on a fixed price basis, excluding VAT.

8 Prices Subject to Confirmation

Prices quoted which are subject to confirmation will not be considered.

9 Negotiations

Transnet reserves the right to undertake post-tender negotiations with selected Respondents or any number of short-listed Respondents.

10 Binding Offer

Any Quotation furnished pursuant to this Request shall be deemed to be an offer. Any exceptions to this statement must be clearly and specifically indicated.

11 Disclaimers

Transnet is not committed to any course of action as a result of its issuance of this RFQ and/or its receipt of a Quotation in response to it. Please note that Transnet reserves the right to:

- modify the RFQ's goods / service(s) and request Respondents to re-bid on any changes;
- reject any Quotation which does not conform to instructions and specifications which are detailed herein;
- disqualify Quotations submitted after the stated submission deadline;
- not necessarily accept the lowest priced Quotation;
- reject all Quotations, if it so decides;
- place an order in connection with this Quotation at any time after the RFQ's closing date;
- award only a portion of the proposed goods / service/s which are reflected in the scope of this RFQ;
- split the award of the order/s between more than one Supplier/Service Provider; or
- make no award at all.

Transnet reserves the right to award business to the highest scoring bidder/s unless objective criteria justify the award to another bidder.

12 Transnet's supplier integrity pact

Transnet's Integrity Pact requires a commitment from suppliers and Transnet that they will not engage in any corrupt and fraudulent practices, anti-competitive practices; and act in bad faith towards each other.

The Integrity Pact also serves to communicate Transnet's Gift Policy as well as the remedies available to Transnet where a Respondent contravenes any provision of the Integrity Pact.

Respondents are required to familiarise themselves with the contents of the Integrity Pact which is available on the Transnet Internet site [www.transnet.net/Tenders/Pages/default.aspx] or on request. Furthermore, Respondents are required to certify that they have acquainted themselves with all the documentation comprising the Transnet Integrity Pact and that they fully comply with all the terms and conditions stipulated in the Transnet Supplier Integrity Pact as follows:

YES		NO	
------------	--	-----------	--

Should a Respondent need to declare previous transgressions or a serious breach of law in the preceding 5 years as required by Annexure A to the Integrity Pact, such declaration must accompany the Respondent's bid submission.

13 Respondent's Samples - Not Applicable

14 Evaluation Criteria

Transnet will utilise the following criteria [not necessarily in this order] in choosing a Supplier/Service Provider, if so required:

Criterion/Criteria	Explanation
Administrative responsiveness	Completeness of response and returnable documents
Final weighted evaluation based on preference point system as indicated in paragraph Reference source not found.	<ul style="list-style-type: none"> Pricing and price basis [firm] - whilst not the sole factor for consideration, competitive pricing and overall level of unconditional discounts¹ will be critical B-BBEE status of company - Preference points will be awarded to a bidder for attaining the B-BBEE status level of contribution in accordance with the table indicated in Annexure A.

15 Validity Period

Transnet desires a validity period of 90 [ninety] days from the closing date of this RFQ.

This RFQ is valid until _____.

¹ Only unconditional discounts will be taken into account during evaluation. A discount which has been offered conditionally will, despite not being taken into account for evaluation purposes, be implemented when payment is effected.

16 Banking Details

BANK: _____
 BRANCH NAME / CODE: _____
 ACCOUNT HOLDER: _____
 ACCOUNT NUMBER: _____

17 Company Registration

Registration number of company / C.C. _____
 Registered name of company / C.C. _____

18 Disclosure of Prices Quoted

Respondents must indicate here whether Transnet may disclose their quoted prices and conditions to other Respondents:

YES NO

19 Returnable Documents

Returnable Documents means all the documents, Sections and Annexures, as listed in the tables below.

a) Respondents are required to submit with their Quotations the **Returnable Documents**, as detailed below.

Failure to provide all these Returnable Documents at the Closing Date and time of this RFQ may result in a Respondent's disqualification. Respondents are therefore urged to ensure that all these Documents are returned with their Quotations.

All Sections, as indicated in the footer of each page, must be signed, stamped and dated by the Respondent. Please confirm submission of these Returnable Documents by so indicating [Yes or No] in the table below.

Returnable Documents	Submitted [Yes or No]
SECTION 1 : Notice to Bidders	
- Valid and original B-BBEE Verification Certificate or certified copy thereof [Large Enterprises and QSEs] Note: failure to provide a valid B-BBEE Verification Certificate at the closing date and time of the RFQ will result in an automatic score of zero for preference	
- Valid and original B-BBEE certificate/sworn affidavit or certified copy thereof from auditor, accounting officer or SANAS accredited Verification Agency [EMEs] Note: failure to provide a valid B-BBEE Verification Certificate at the closing date and time of the RFQ will result in an automatic score of zero being allocated for preference	
- In the case of Joint Ventures, a copy of the Joint Venture Agreement or written confirmation of the intention to enter into a Joint Venture Agreement	

Respondent's Signature

Date & Company Stamp

Returnable Documents	Submitted [Yes or No]
- Original valid Tax Clearance Certificate [Consortia / Joint Ventures must submit a separate Tax Clearance Certificate for each party]	
SECTION 2 : Quotation Form	
SECTION 3: Vendor Application Form	
• Original cancelled cheque or bank verification of banking details	
• Certified copies of IDs of shareholder/directors/members [as applicable]	
• Certified copies of the relevant company registration documents from Companies and Intellectual Property Commission (CIPC)	
• Certified copies of the company's shareholding/director's portfolio	
• Entity's letterhead	
• Certified copy of VAT Registration Certificate [RSA entities only]	
• Certified copy of valid Company Registration Certificate [if applicable]	
Financial Statements signed by your Accounting Officer or Audited Financial Statements for previous 3 years	
ANNEXURE A – B-BBEE Preference Points Claim Form	

b) In addition to the requirements of paragraph a) above, Respondents are further requested to submit with their Proposals the following **additional documents** as detailed below.

Please confirm submission of these additional documents by so indicating [Yes or No] in the table below:

Section 2 QUOTATION FORM

I/We _____
hereby offer to supply the goods/services at the prices quoted in the Price Schedule below, in accordance with the conditions related thereto.

I/We agree to be bound by those terms and conditions in:

- the Standard Terms and Conditions for the Supply of Goods or Services to Transnet [available on request]; and
- any other standard or special conditions mentioned and/or embodied in this Request for Quotation.

I/We accept that unless Transnet should otherwise decide and so inform me/us, this Quotation [and, if any, its covering letter and any subsequent exchange of correspondence], together with Transnet's acceptance thereof shall constitute a binding contract between Transnet and me/us.

I/We further agree that if, after I/we have been notified of the acceptance of my/our Quotation, I/we fail to deliver the said goods/service/s within the delivery lead-time quoted, Transnet may, without prejudice to any other legal remedy which it may have, cancel the order and recover from me/us any expenses incurred by Transnet in calling for Quotations and/or having to accept any less favourable offer.

Price Schedule

I/We quote as follows for the goods required, on a "delivered nominated destination" basis, excluding VAT:

Item No	Description of Goods /Services	Unit of Measure	Quantity	Unit Price (ZAR)	Total Price (ZAR)
1	As per the attached bill of quantities				

Delivery Lead-Time from date of purchase order : _____ [days/weeks]

Notes to Pricing:

- a) All Prices must be quoted in South African Rand, exclusive of VAT
- b) To facilitate like-for-like comparison bidders must submit pricing strictly in accordance with this price schedule and not utilise a different format. Deviation from this pricing schedule could result in a bid being disqualified.
- c) Please note that should you have offered a discounted price(s), Transnet will only consider such price discount(s) in the final evaluation stage if offered on an unconditional basis.

Respondent's Signature

Date & Company Stamp

RESOURCE NAME	DRAWING NO.	ADDITIONAL DRAWINGS	UNIT	QUANTITY	DELIVERY PERIOD	RATE	AMOUNT
1 U-BOLT M12 HD GI	TX-8 IT1		/EA	220			
2 U BOLT M16 240*240 HD GI	TX- IT1		/EA	20			
3 CLEVIS PIN 16mm DIAx60mm HD GI	CEE-TX-66	CEE-TX-54	/EA	360			
4 U BOLT M12 for dia 60 pipe HD GI	CEE-TX-22		/EA	1650			
5 J BOLT M16x80mm HD GI	CEE-TX-412		/EA	40			
6 J BOLT M16x100mm HD GI	CEE-TX-1413		/EA	80			
7 J BOLT M16x120mm HD GI	CEE-TX-1414		/EA	60			
8 J BOLT M20*240 HD GI	TX-15 IT 10		/EA	900			
9 U BOLT M12 HD GI -48*32crs	CEE-TX-89		/EA	30			
10 BOLT M12 * 20L HD GI			/EA	160			
11 BOLT AND NUT M12x75mm HD GI			/EA	20			
12 NUT M12 HD GI			/EA	36			
13 BOLT AND NUT M20x240mm HD GI			/EA	48			
14 FLAT WASHER M16 HD GI			/EA	40			
15 FLAT WASHER M20 HD GI			/EA	48			
16 FLAT WASHER M24 HD GI			/EA	22			
17 BOLT AND NUT M16x110mm HD GI			/EA	72			
18 BOLT AND NUT M16x140mm HD GI			/EA	40			
SCREW AND NUT M4X12 SLOTTED							
19 CHEESE HEAD BRASS			/EA	10			
20 BOLT AND NUT M8X40 HD GI			/EA	10			
21 BOLT AND NUT M10X40 HD GI			/EA	24			
22 BOLT AND NUT M10X115 HD GI			/EA	152			
23 BOLT AND NUT M10X255 HD GI			/EA	132			
24 BOLT AND NUT M12X25mm HD GI			/EA	20			
25 BOLT AND NUT M12X30mm HD GI			/EA	10			
26 BOLT AND NUT M12x40mm HD GI			/EA	10			
27 BOLT AND NUT M12x55mm HD GI			/EA	10			
28 BOLT AND NUT M16x140mm HD GI			/EA	10			
29 BOLT AND NUT M16X220mm HD GI			/EA	10			
30 BOLT AND NUT M20x40mm HD GI			/EA	14			

PREVIEW COPY ONLY

31	BOLT AND NUT M20x45mm HD GI	/EA	10		
32	BOLT AND NUT M20x75mm HD GI	/EA	14		
33	BOLT AND NUT M20x230mm HD GI	/EA	10		
34	BOLT AND NUT M20x255mm HD GI	/EA	20		
35	BOLT AND NUT M20x260mm HD GI	/EA	40		
36	BOLT AND NUT M20x300mm HD GI	/EA	10		
37	BOLT AND NUT M24X65L GI	/EA	60		
38	NUT M20 HD GI	/EA	895		
39	NUT M36 HD GI	/EA	2 236.00		
40	SPRING WASHER M4 HD GI	/EA	10		
41	FLAT WASHER M10 HD GI	/EA	310		
42	FLAT WASHER M12 HD GI	/EA	40		
43	WASHER FLAT M16 HD GI	/EA	40		
44	WASHER ROUND FLAT M20 HD GI	/EA	90		
45	WASHER M36 HD GI	/EA	2 236.00		
46	FLAT WASHER M16 HD GI	/EA	30		
47	BOLT AND NUT M24x260mm	/EA	30		
48	BOLT AND NUT M10X115 HD GI	/EA	10		
49	BOLT AND NUT M12X25mm HD GI	/EA	20		
50	BOLT AND NUT M12X30mm HD GI	/EA	70		
51	BOLT AND NUT M12x40mm HD GI	/EA	45		
52	BOLT AND NUT M12x65mm HD GI	/EA	30		
53	BOLT AND NUT M12X100mm HD GI	/EA	895		
54	BOLT AND NUT M16x30mm HD GI	/EA	60		
55	BOLT AND NUT M16x40mm HD GI	/EA	220		
56	BOLT AND NUT M16x45mm HD GI	/EA	80		
57	BOLT AND NUT M16x50mm HD GI	/EA	110		
58	BOLT AND NUT M16X65mm HD GI	/EA	2 416.00		
59	BOLT AND NUT M16x140mm HD GI	/EA	30		
60	BOLT AND NUT M16X150mm HD GI	/EA	10		
61	BOLT AND NUT M20x40mm HD GI	/EA	750		
62	BOLT AND NUT M20x75mm HD GI	/EA	1 348.00		
63	BOLT AND NUT M20x150mm HD GI	/EA	130		

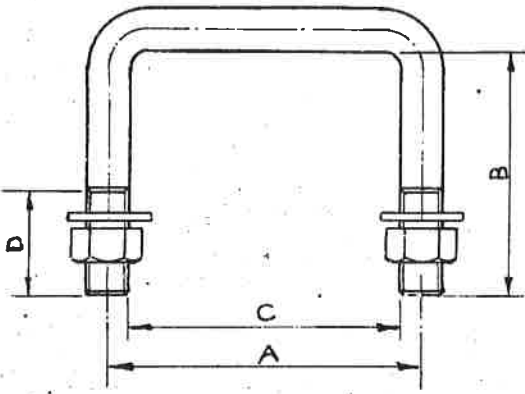
"PREVIEW COPY ONLY"

AMFNDMENT
WYSIGINGS

No	NAME NAAM	DATE DATUM
1	G.R.B.	7-3-72
S.A.B.S 763. WAS CEE G3A-1.		
D.O. REF: J72/7.		
2	E. Louw	82-03-24

ASSY. DRGS. ADDED
SAMEST. TEK. BY
GEVOEG.

D.O. REF. P82/10
TK-VERW.



ORDERING NOTE.
BESTELLINGNOTA.

U BOLT DIMENSIONS
BOUT AFMETINGS A-100, B=210,
QUOTE
VERMELD ITEM N^o 10 N

N ^o	A	C
1	55	43
2	60	48
3	65	53
4	70	58
5	75	63
6	80	68
7	85	73
8	90	78
9	95	83
10	100	88
11	105	93
12	110	98
13	115	103
14	120	108
15	125	113
16	130	118
17	135	123
18	140	128
19	145	133
20	150	138
21	155	143
22	160	148
23	165	153
24	170	158

N ^o	A	C
25	175	163
26	180	166
27	185	173
28	190	178
29	195	183
30	200	188
31	205	193
32	210	198
33	215	203
34	220	208
35	225	213
36	230	218
37	235	223
38	240	228
39	245	233
40	250	238
41	255	243
42	260	248
43	265	253
44	270	258
45	275	263
46	280	268
47	285	273
48	290	278

N ^o	A	C
49	295	283
50	300	288
51	305	293
52	310	298
53	315	303
54	320	308
55	325	313
56	330	318
57	335	323
58	340	328
59	345	333
60	350	338
61	355	343
62	360	348
63	365	353
64	370	358
65	375	363
66	380	368
67	385	373
68	390	378
69	395	383
70	400	388
71	405	393
72	410	398

LETTER	B	D
A	90	10
B	100	11
C	110	12
D	120	13
E	130	36
F	140	14
G	150	15
H	160	16
J	170	17
K	180	18
L	190	19
M	200	20
N	210	49
P	220	21
Q	230	22
R	240	23
S	250	24
T	260	25
U	270	26
V	280	27
W	290	28
X	300	29
Y	310	30
Z	320	31
AA	330	32
BB	340	33
CC	350	34
DD	360	35
EE	370	36
FF	380	37
GG	390	38
HH	400	39
JJ	410	40
KK	420	41
LL	430	42
MM	440	43
NN	450	44

PRELIMINARY COPY ONLY

DIMENSIONS: MILLIMETRES
AFMETINGS: MILLIMETERS

FINISH: ZINC COAT TO SPECIFICATION S.A.B.S. 763.
AFWERKING: ZINKBEDEK VOLGENS SPEK.

D.O. REF
TK-VERW C146/70

DRN
GET *AM*

CKD
NGS *274*

ENGR
IR *[Signature]*

DATE
DATUM 27-1-71

MATERIAL - MATERIAAL

STEEL
STAAL B.S. 4190.

SCALE
SKAAL

[Signature]

STANDARD M12 U BOLTS
FOR ELECTRIFICATION STEELWORK

STANDAARD M12 U BOUTE
VIR ELEKTRIFIKASIE STAALWERK

CHIEF ELECTRICAL ENGINEER SAR. JOHANNESBURG
ELEKTROTEGNIESE HOOFINGENIEUR S.A.S.

CEE-PFB-12,13,18,19,20

ASSEMBLY DRG
SAMESTELTEK

GENERAL TOLERANCES
ALGEMEEN TOLEHANS'ES

LIN. ±1

ANG
HOEKE

AMENDMENT
WYSIGING *1* 2

DRAWING
TEKENING No. CEE-

TX8

AMENDMENTS		
NO	NAME	DATE
3	L O BORCHARD	95-05-11

REDRAWN. STAINLESS STEEL ADDED AS ALTERNATIVE MATERIAL. DO REF T95/003

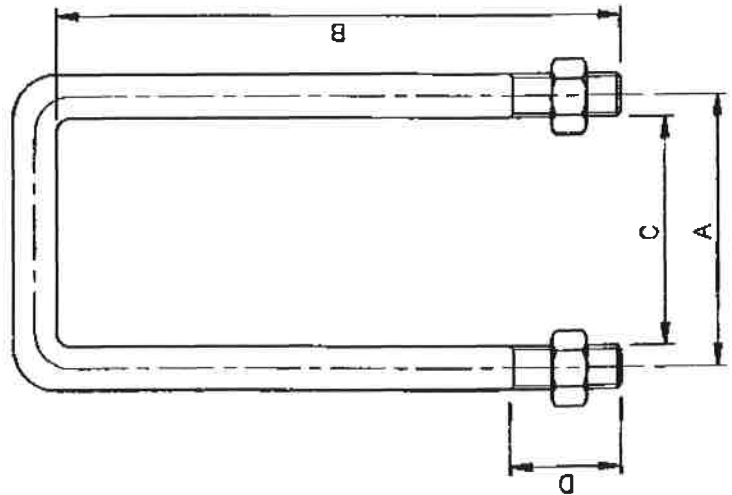
No	B	D
AA	330	57
BB	340	57
CC	350	57
DD	360	57
EE	370	57
FF	380	57
GG	390	57
HH	400	57
JJ	410	57
KK	420	57
LL	430	57
MM	440	57
NN	450	57

No	B	D
A	90	38
B	100	38
C	110	38
D	120	38
E	130	44
F	140	44
G	150	44
H	160	44
J	170	44
K	180	44
L	190	44
M	200	44
N	210	57
P	220	57
Q	230	57
R	240	57
S	250	57
T	260	57
U	270	57
V	280	57
W	290	57
X	300	57
Y	310	57
Z	320	57

No	A	C
49	295	279
50	300	284
51	305	289
52	310	294
53	315	299
54	320	304
55	325	309
56	330	314
57	335	319
58	340	324
59	345	329
60	350	334
61	355	339
62	360	343
63	365	349
64	370	354
65	375	359
66	380	364
67	385	369
68	390	374
69	395	379
70	400	384
71	405	389
72	410	394

No	A	C
25	175	159
26	180	164
27	185	169
28	190	174
29	195	179
30	200	184
31	205	189
32	210	194
33	215	199
34	220	204
35	225	209
36	230	214
37	235	219
38	240	224
39	245	229
40	250	234
41	255	239
42	260	244
43	265	249
44	270	254
45	275	259
46	280	264
47	285	269
48	290	274

No	A	C
1	55	39
2	60	44
3	65	49
4	70	54
5	75	59
6	80	64
7	85	69
8	90	74
9	95	79
10	100	84
11	105	89
12	110	94
13	115	99
14	120	104
15	125	109
16	130	114
17	135	119
18	140	124
19	145	129
20	150	134
21	155	139
22	160	144
23	165	149
24	170	154



ORDERING NOTE EXAMPLE
 U-BOLT DIMENSIONS A=100, B=210
 QUOTE ITEM No 10N

NOTE
 ZINC COAT MILD STEEL TO SPEC SABS 763 FOR CONDITIONS IN SITU

DIMENSIONS: mm
 SCALE: 1:2

DRAWING NO CEE--
TX--9
 SHEET -- OF --

MATERIAL: ITEM NO 11/ — STEEL, ROUND, Ø16 OR STAINLESS STEEL, ROUND

DO REF: C146/70	GEN TOL: LINE 1	ANG# -
DRN: N W L	CKD: E F J	DATE: XXX
ENG: -	F PIENAAR	for CHIEF ENG

INFRASTRUCTURE (ELECTRICAL) **SPOORNET**

STANDARD M16 U-BOLTS FOR ELECTRIFICATION STEELWORK

PRELIMINARY COPY ONLY

ITEM	DESCRIPTION	QTY	STORES ITEM NO	DRG NO CEE--	AMENDMENTS
1	RIVET, STEEL, SNAP HEAD, $\phi 16 \times 30$ LG	1	01/21/22		NO NAME DATE
2	LOCKING SPLIT PIN	1	54/3734	TX-54	3 J v DvK 94/8/4

DIMENSION 50 WAS
46. TOL REVISED.
ITEM 1 STORES ITEM
NO WAS 01/22710.
DO REF T94/046

FINISH
ZINC COAT ITEM 1 TO
SPEC SABS 763 FOR
CONDITIONS IN SITU.

STORES ITEM NO.
54/4020

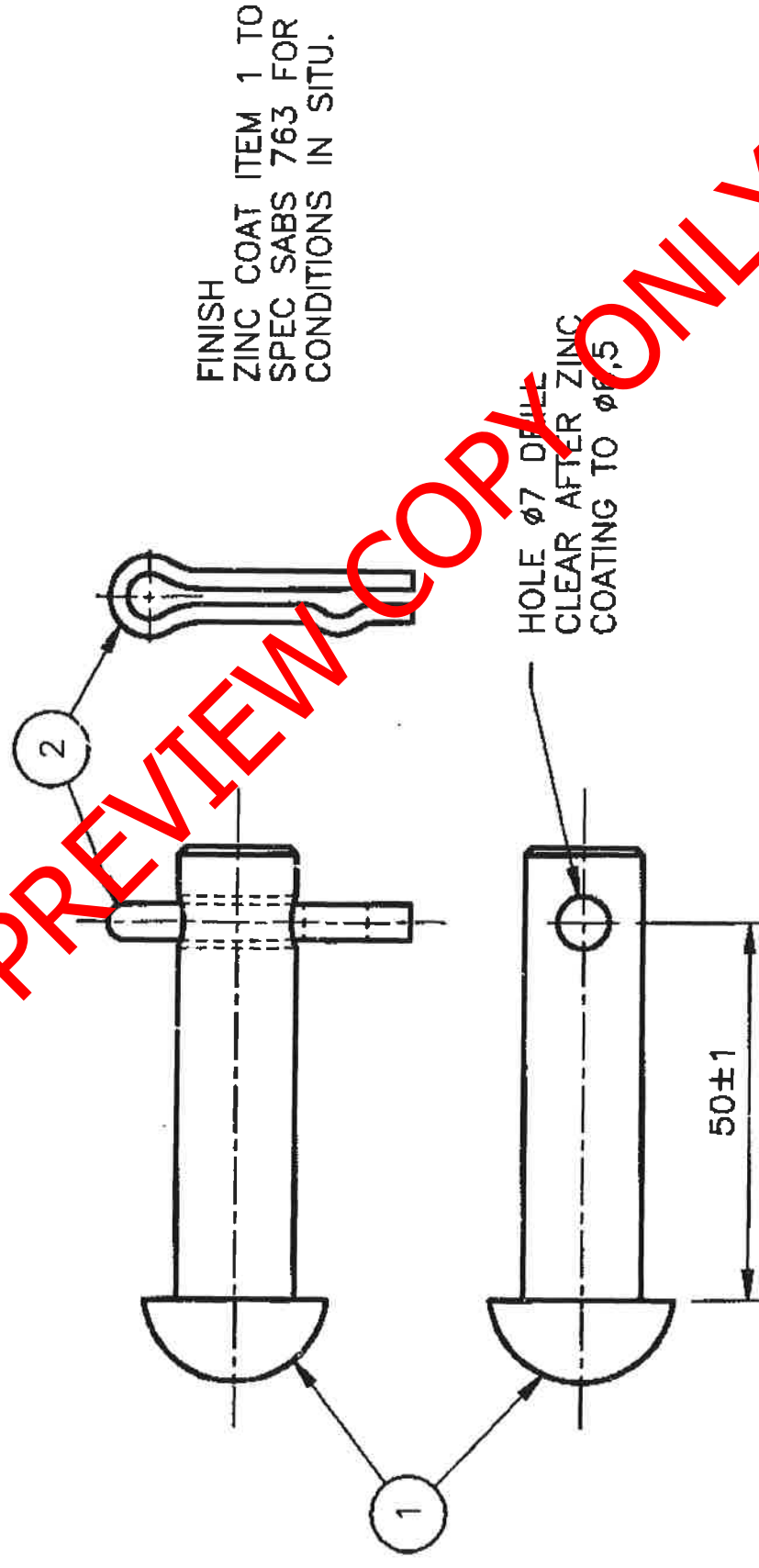
DIMENSIONS: mm
SCALE: 1:1



DRG NO CEE--
TX-66

SHT -- OF --

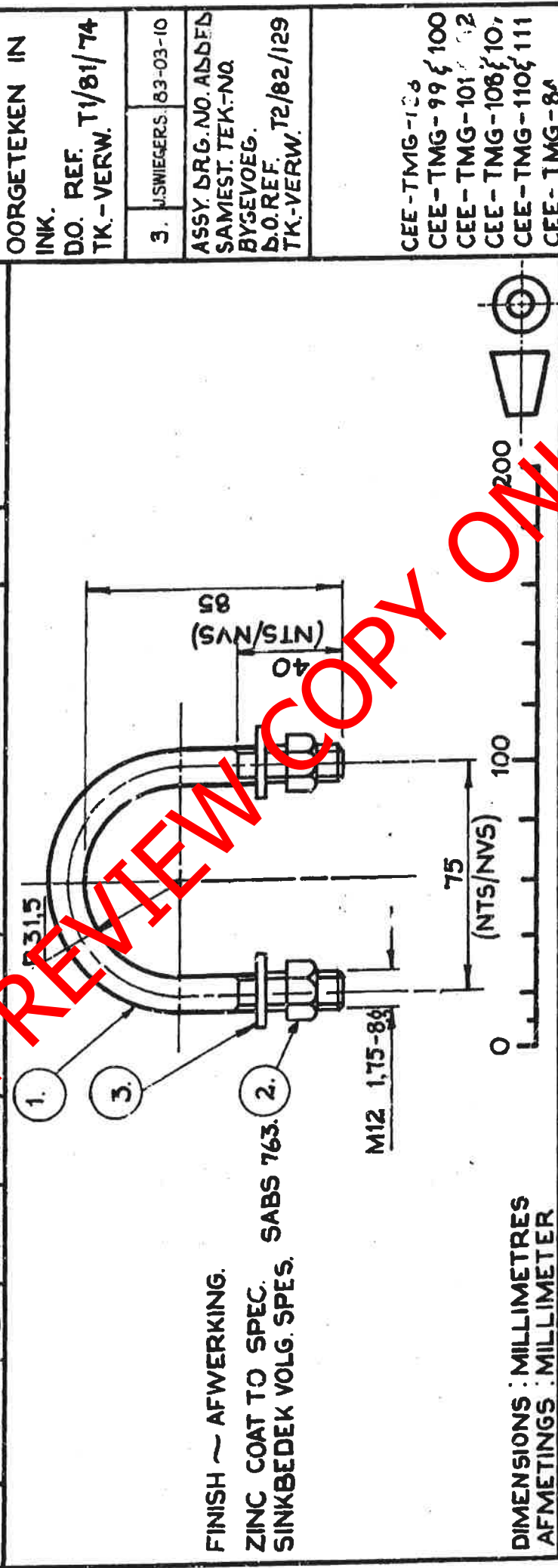
"PREVIEW COPY ONLY"



DO REF: C84/70	GEN TOL: LIN ± 0.5	ANG ±	
DRN: G.J. v G.	CKD: I.T.	DATE: 70-09-09	
ENG: —	T.C. BROOK	for CHIEF ENG	
INFRASTRUCTURE (ELECTRICAL)		SPOORNET	

PIN, STRAIGHT, HEADED, $\phi 16$
WITH LOCKING SPLIT PIN

ITEM	DESCRIPTION ~ BESKRYWING	QTY HV'D	STORES MAGASYN NO.	AMENDMENTS WYSIGINGS
1.	STEEL ROUND ϕ 12 x 225 L TO SPEC CME 9 SYM 7 STAAL ROND VOLG. SPES CME 9 SIM 7	1.	(M) 1/2740	NO. NAME DATE NAAM DATUM
2.	NUT, PLAIN, HEX, STEEL, GALV. MOER, GEWONE, SEK, STAAL, GEGALV. M12	2.	(M) 1/32856	2. B. STEWART 82-04-22
3.	WASHER, FLAT, STEEL, ROUND, NORMAL, GALV. WASTER, PLAT, STAAL, ROND, NORMAAL, GEGALV. M12.	2.	(M) 1/33659	REDRAWN IN INK. OORGETEKEN IN INK.

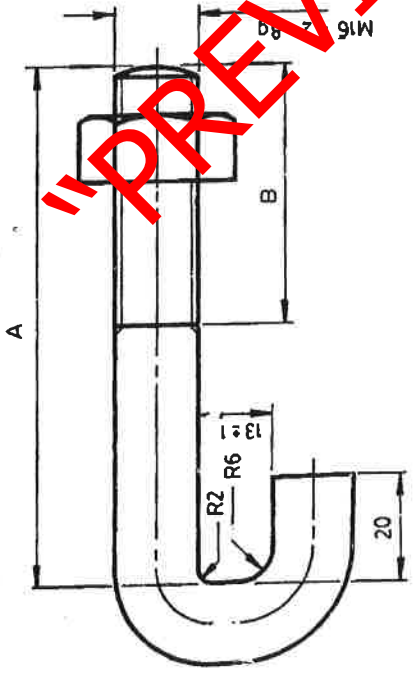


FINISH ~ AFWERKING.
ZINC COAT TO SPEC. SABS 763.
SINKBEDEK VOLG. SPES.

DRN. B. v. d. WEST.	GEN. TOLERANCES : LIN. \pm 0,5
TRCD. K. HUGHES	ALG. TOLERANSIES: ANG./HOEK \pm ---
NGT. ---	D.O. REF. --- ENG.
CKD. R.A. MACMILLAN	TK.-VERW. --- IR.
NGS. ---	DATE 80-02-13 G.A. WILLIAMS
CHIEF ELECTRICAL ENGINEER	DATUM: ---
ELEKTRIESE HOOFINGENIEUR	JOHANNESBURG
SOUTH AFRICAN TRANSPORT SERVICES	
SUID - AFRIKAANSE VERVOERDIENSTE	

U - BOLT
M12
U - BOUT

TX-23



NOTES / OPMERKINGS

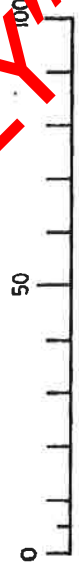
1. FABRICATION: FORM HOOK AT 875° - 900°C.
VERVAARDIGING: VORM HAAK TEEN 875° - 900°C.
2. NORMALISE: REHEAT UNIFORMLY THROUGHOUT TO 875° - 900°C AND ALLOW TO COOL FREELY IN AIR.
NORMALISEER: HERVERWARM HEELTEMAL TOT 875° - 900°C EN LAAT AFKOEL IN LUG.
3. FINISH: ZINC COAT TO SPEC. SABS 763.
AFWERKING: SINKBEDEK VOLG. SPES.

DIMENSIONS: MILLIMETRES
AFMETINGS: MILLIMETER

MATERIAL - MATERIAAL
STEEL, ROUND & 16
STAAL, ROND
TO BS 4360 GRADE 43A.
VOLG. GRAAD
OR CME 9 SYMBOL 8.

DRN. GET.	F. W. C.	GEN. TOLERANCES: LIN. ±2	ANG/HOE: —
TRCD. NGT.	S. v. VUUREN	D.O. REF. TK-VERW	ENG. IR J. S. SMUTS
CKD. NGS.	W. R. G.	DATE 45-12-14	C. BOTHA for. ns.
CHIEF ELECTRICAL ENGINEER ELEKTRIESE HOOFINGENIEUR JOHANNESBURG			
SOUTH AFRICAN TRANSPORT SERVICES SUID-AFRIKAANSE VERVOERDIENSTE			

ELECTRIFICATION TYPE: GENERAL
BOLT, HOOK, M16.
AND HEX. NUT.
ELEKTRIFIKASIE TIEPE: ALGEMEEN.
BOUT, HAAK-, M16.
EN SESK. MCCR.



ITEM	DIM./AFM.		STORES. ITEM NO. MAGASYNITEM	AMENDMENTS WYSIGINGS	
	A	B		NO.	NAME NAAM
1	60	30	(M)54/3443		
2	80	50	(M)54/3455	4.	85-8-14
3	100	50	(M)54/3467		
4	120	50	(M)54/3479		
5	140	50	(M)54/3480		
6	160	50	(M)54/3492		
7	180	50	(M)54/3507		
8	200	50	(M)54/3519		
9	220	50	(M)54/3520		
10	240	50	(M)54/3532		
11	260	50	(M)54/3544		
12	280	50	(M)54/3556		
13	300	50	(M)54/3568		
14	550	70			
15					

REDRAWN AND REVISED
OORGETEKEN EN HERSTIEN.
MOD. ITEM NO'S ADDED
D.O. REF. TK-VERW. T1/85/74.

CLASS/ASSY. DRG.
KLAS/SAMEST.-TEK.
MODULUS ITEM NO.

PREVIOUS ITEM NO.
VORIGE

DRAWING NO. CEE-
TEKENING NO. TX-14
SHEET OF
VEL VAN

"PREVIEW COPY ONLY"

AMENDMENTS	
NO	NAME DATE
4	U BORCHARD 05-05-11
REDRAWN, STAINLESS STEEL ADDED, DO REF T997003	

NOTE
ZINC COAT MILD STEEL TO SPEC SABS 763 FOR CONDITIONS IN SITU

MATERIAL: ITEM NO 11/— STEEL, ROUND, #12 X 127 LG OR STAINLESS STEEL	1	ANG±	—
DO REF: C29/71 GEN TOL: LINE±	—	DATE: 71-03-25	
DRN: G N CKD: —	F PIENAAR	for CHIEF ENG	
ENG: —			

U-BOLT M12

SPOORNET

INFRASTRUCTURE (ELECTRICAL)

DIMENSIONS: mm	A4
SCALE: 1:1	
DRW NO: CFE-	
TX-89	
SHT — OF —	

T0000776

Δ 3

Δ

Δ 4

Δ 4

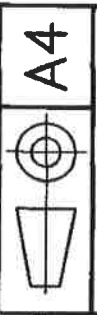
Δ

Δ 3

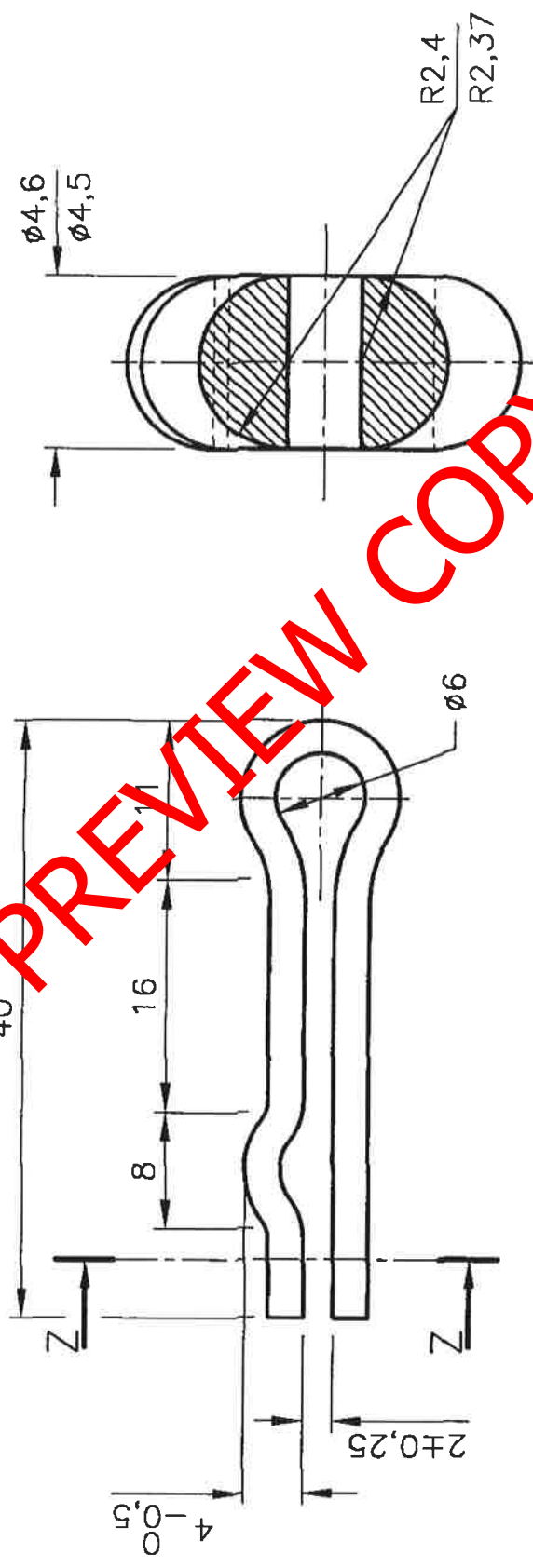
AMENDMENTS		
NO	NAME	DATE
2	J v DÿK	94--8--4
DRG REVISED.		
DO REF T94/046		
3	J HARCUS	98--6--25
PIN DIAMETER WAS $\phi 4,8/\phi 4,74$		
DO REF: T98/028		

STORES ITEM NO.
54/3734

DIMENSIONS: mm
SCALE: 2:1



DRG NO CEE--
TX-54
SHT -- OF --



SECTION Z - Z

SCALE: 2:1

"PREVIEW COPY ONLY"

MATERIAL: ITEM NO ---, BRASS TO SPEC BS 2873/CZ 108 OR STAINLESS STEEL TO SPEC BS 970 GRADE 316S16

DO REF: N37/69	GEN TOL: $LN \pm 0,5$	ANG \pm ---
DRN: C.J.S.	R.N.	DATE: 69-03-03
ENG: F PIENAAR	F PIENAAR	for CHIEF ENG

COTTER PIN



SPOORNET

INFRASTRUCTURE
(ELECTRICAL)

ITEM	DESCRIPTION / BESKRYWING.	QTY. STOKS NO. / HVL. MAGASYN NO.	DRG. NO. / TEK.	AMENDMENTS WYSIGINGS
				NO NAME NO NAAM
				DATE DATUM
1.	RIVET, STEEL, SNAP HEAD. KLINKNAEL, STAAL, GESNAPTE KOP. Ø16 x 70 Lg (M11/EE 146)	1		
2.	LOCKING SPLIT PIN. BORGSPPLITPEN.	1	54/112102.	-54/112102.

PREVIEW COPY ONLY

FINISH / AFWERKING.
ZINC COAT ITEM 1. TO : SABS 763.
SINKBEDEK ITEM 1. VOLG :

DRILL BOOR
CLEAR AFTER ZINC COATING TO Ø 6,5.
RUIIM NA SINKBEDEKKING NA Ø 6,5.

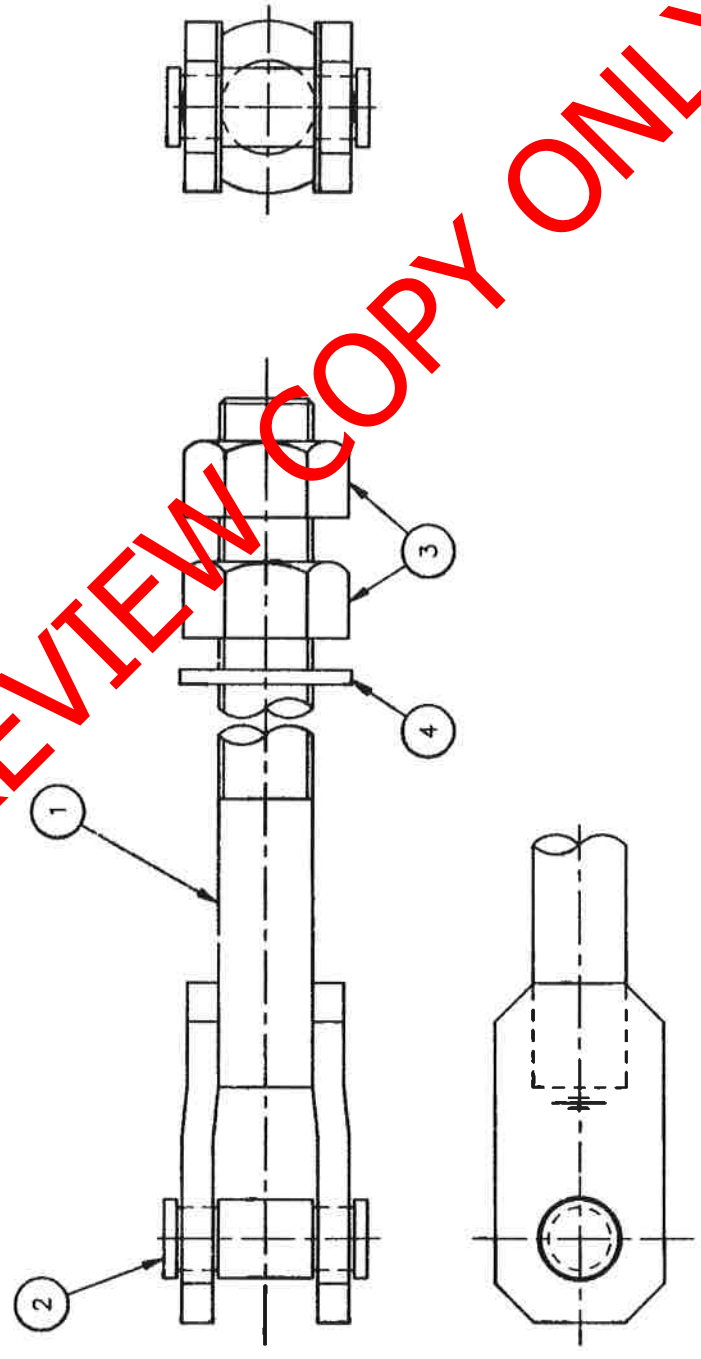
CEE - TN - 247
CEE - TN - 191.
CLASS - ASSY. DRG.
KLAS - SAMEST.-TEK.

DIMENSIONS : MILLIMETRES. AFMETINGS : MILLIMETER.	SOUTH AFRICAN TRANSPORT SERVICES SUID - AFRIKAANSE VERVOERDIENSTE
DRN. R. KIECK.	GEN. TOLERANCES : LIN.
TRCD S. ROBERTSON	ALG. TOLERANSIES : ANG./HOEK.
NGT.	D.O. REF. 75
	TK-VERW. IR.
CKD. R. KIECK	DATE 20/11/1954
NGS. R. KIECK	DATUM 20/11/1954
CHIEF ELECTRICAL ENGINEER ELEKTRIESE HOOFINGENIEUR	JOHANNESBURG

PIVOT PIN Ø16.
 WITH LOCKING SPLIT PIN.
 SPILPEN Ø16.
 MET BORGSPPLITPEN.

ITEM NO	
DRAWING NO TEKENING NO	CEE
	-TN-243.

ITEM	DESCRIPTION	QTY	RES ITEM NO	DRG NO	AMENDMENTS			
					NO	NAME	DATE	
1	STAY BOLT	1		TNE-31	SHT 2	1	J HARCUS	95-08-21
2	FLAT WASHER	1		TNE-31	SHT 3	REVISED, DRG NO WAS CEE-TMF-332.		
3	NUT, STEEL, GALV, HEX, M36	2	1/32921			DO REF T95/050		
4	WASHER, FLAT, STEEL, GALV, ROUND, M36	1	1/33700					



PREVIEW COPY ONLY

STORES ITEM NO	
DIMENSION: mm	
SCALE: 1:2	
A3	
DRAWING NO CEE-	
TNE-31	
SHEET	1 OF 3

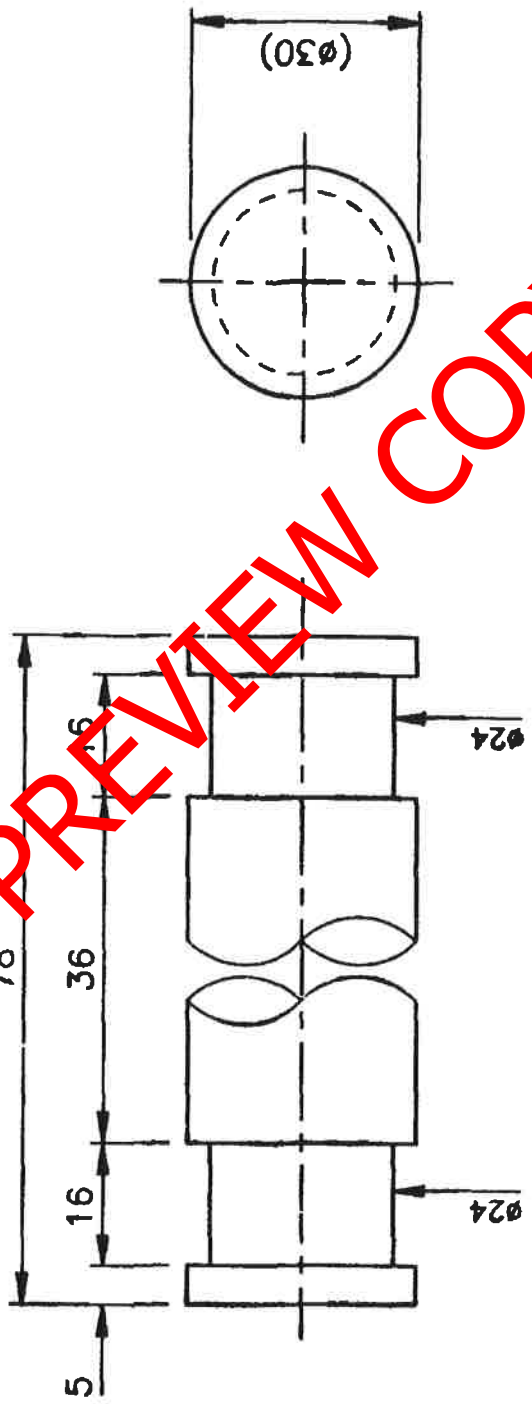
<h2>STAY BOLT ASSEMBLY</h2> <h3>STAY WIRE</h3>	
DO REF: T79/20	GEN TOL: LIN± - ANG± -
DRN: B v d WESTH	CKD: J SWIEGERS DATE: 90-07-28
ENG: -	GA WILLIAMS for CHIEF ENG
INFRASTRUCTURE (ELECTRICAL)	

AMENDMENTS		
NO	NAME	DATE
1	J HARCUS	95-08-21
REDRAWN. DRG NO WAS TMHB--8. DO REF T95/050		

DIMENSIONS: mm
SCALE: 1:1



DRG NO CEE--
TNE-31
SHT 3 OF 3



"PREVIEW COPY ONLY"

FINISH
1. MACHINE THUS ∇
2. ZINC COAT TO SPEC SABS 763 FOR CONDITIONS IN SITU.

MATERIAL: ITEM NO 11/002816 STEEL, ROUND, ϕ 30 X 80 LG

DO REF: T79/20	GEN TOL: LIN \pm 1	ANG \pm -
DRN: B v d WEST	CKD: J SWIEGERS	DATE: 80-07-28
ENG: -	GA WILLIAMS for CHIEF ENG	

PIN

STAY WIRE



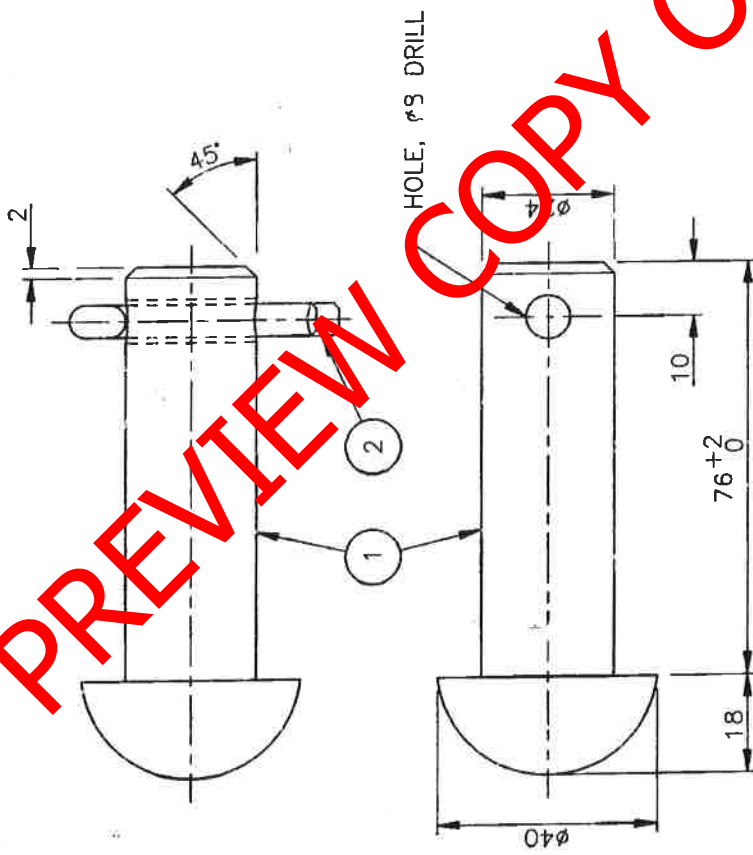
INFRASTRUCTURE
(ELECTRICAL)

AMENDMENTS		
NO	NAME	DATE
3	JVT	97-09-05

DRAWING REVISED.
DO REF: T96/021

ITEM	DESCRIPTION	QTY	STORES ITEM NO	DRG NO CEE--
1	PIN, STRAIGHT HEADED, MILD STEEL, $\phi 24$ *	1	1/	
2	PIN, COTTER, BRASS, $\phi 6.3 \times 36$ LG	1	/3795	

"PREVIEW COPY ONLY"



STORES ITEM NO
54/4007

DIMENSIONS: mm
SCALE: 1:1

A3

DRAWING NO CEE--
TX-59

SHEET -- OF --

* FINISH
ZINK COAT ITEM 1 TO SABS 763 FOR CONDITIONS IN SITU.

PIN, STRAIGHT, HEADED, $\phi 24 \times 76$ LG
COMPLETE WITH COTTER PIN.

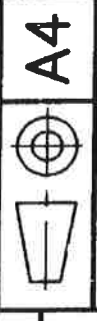
DO REF: C227/68	GEN TOL: LIN \pm 0.5	ANG \pm 1'
DRN: M.K.	CKD: F.W.C.	DATE: 69-04-18
ENG: R.C.K.	W ROGERS for CHIEF ENG	
INFRASTRUCTURE (ELECTRICAL)		
SPOORNET		

AMENDMENTS		
NO	NAME	DATE
3	JVT	97-9-5

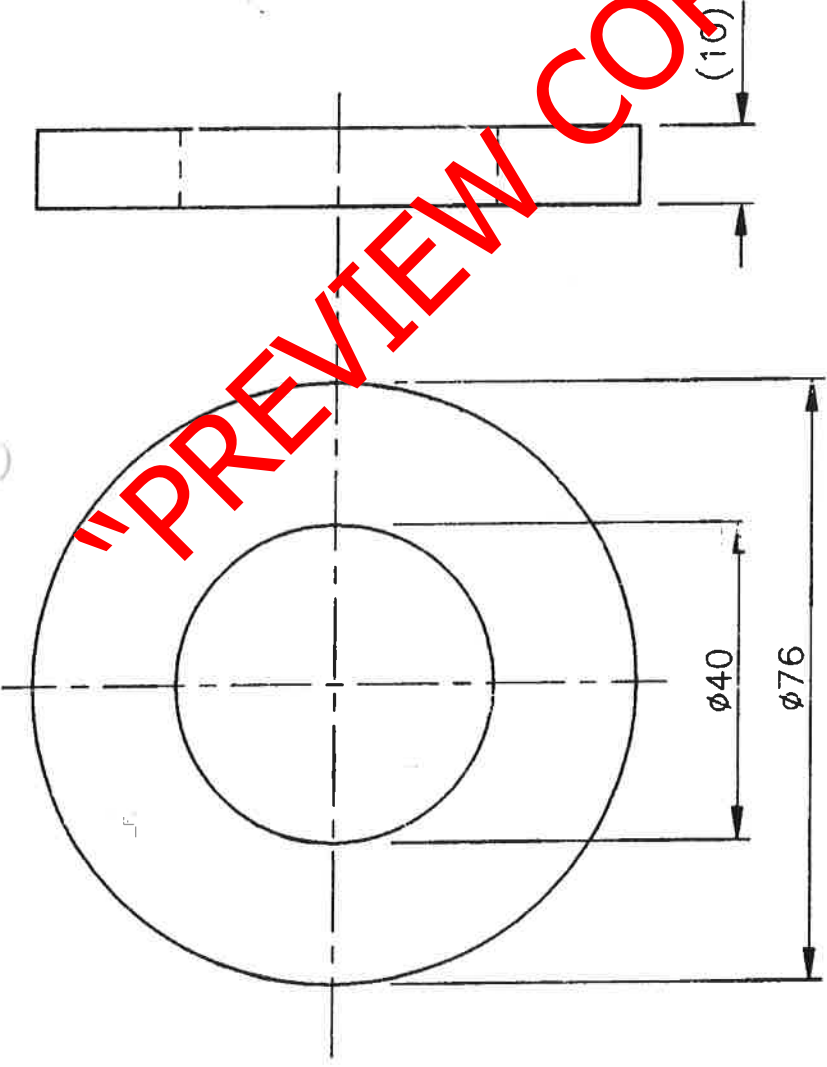
DRAWING REVISED.
DO REF:T96/021

STORES ITEM NO. _____

DIMENSIONS: mm
SCALE: 1:1



DRG NO CEE--
TX-28
SHT -- OF --



"PREVIEW COPY ONLY"

FINISH: ZINC COAT TO SABS 763 FOR CONDITIONS IN SITU.

MATERIAL: STORES ITEM NO 11/12408, STEEL, FLAT, 80 x 10 THK

DO REF: T79/20	GEN TOL: LIN± 0.5	ANG± —
DRN: A JOUBERT	CKD: J SWIEGERS	DATE: 80-07-28
ENG: —	GA WILLIAMS	for CHIEF ENG

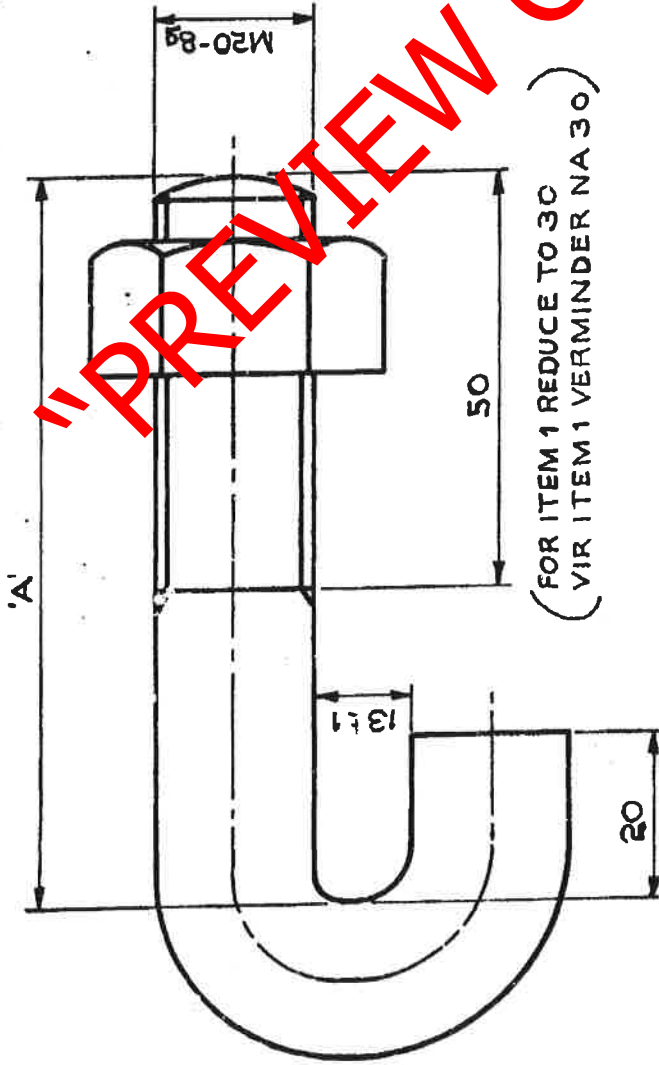
WASHER, PACKING

CROSS HEAD, STAY WIRE ANCHOR

INFRASTRUCTURE
(ELECTRICAL)

SPOORNET

ORIGINAL FRAME SIZE
OORSPRONKLIKE RAAMGROOTTE 267 x 180.



(FOR ITEM 1 REDUCE TO 30
VIR ITEM 1 VERMINDER NA 30)

FABRICATION: FORM HOOK AT 875° - 900°C.
VERVAARDIGING: VORM HAAK BY

NORMALISE: REHEAT UNIFORMLY THROUGHOUT TO 875° - 900°C. AND ALLOW TO COOL FREELY IN AIR.
NORMALISEER: HERVERWARM HEELTEMAL TOT 875° - 900°C EN LAAT AFKOEL IN LUG.

FINISH: ZINC COAT TO SPECIFICATION S.A.B.S. 763.
AFWERKING: SINKBEDEK VOLGENS SPES.

DIMENSIONS: MILLIMETRES.
AFMETINGS: MILLIMETERS.

MATERIAL - MATERIAAL.

STEEL TO B.S. 4360 GRADE 43A
STAAL VOLG. B.S. 4360 GRAAD 43A
OR SYMBOL Ø.
OF CME SIMBOOL Ø.

ANG. HOEK. ---

GENERAL TOLERANCES. LIN. ± 2
ALGEMENE TOLERANSIES. LIN. ± 2

DRN. R.L. CKD. F.W.C. ENG. J. Smuts.
GET. NGS. IR.

D.O.REF. - DATE. 11-5-46 C. Botha
T.K.VERW. - DATUM.

CHIEF ELECTRICAL ENGINEER SAR. JOHANNESBURG.
ELEKTROTEGNIESE HOOFINGENIEUR SAS.

ITEM	DIM. 'A' AFM.	STORES MAGASYN	ITEM N°
1	60		
2	80		
3	100		
4	120		
5	140		
6	160		
7	180		
8	200		
9	220		
10	240		
11	260		
12	280		
13	300		

AMENDMENTS. WYSIGINGS.		
N°	NAME NAAM	DATE. DATUM.
1	uned	26-10-71

REDRAWN AND METRICATED. DRG. N° WAS CEE. - 156. HERTEKEN EN GEMETRISEER. TEK. N° WAS CEE - 156. D.O. REF. C95/71 T.K. VERW.

PREVIEW COPY ONLY



M 20: HOOK BOLTS.
M 20: HAAKBOUTE.

ASSY. DRG./ SAMES. TEK
DRAWING. N° CEE
TEKENING. N° CEE
TX 15.

Section 3
VENDOR APPLICATION FORM

Respondents are to furnish the following documentation and complete the Vendor Application Form below:

1. **Original** cancelled cheque **OR** letter from the Respondent's bank verifying banking details **[with bank stamp]**
2. **Certified** copy of Identity Document(s) of Shareholders/Directors/Members [where applicable]
3. **Certified copies** of the relevant company registration documents from Companies and Intellectual Property Commission (CIPC)
4. **Certified copies** of the company's shareholding/director's portfolio
5. A letter on the company's letterhead confirm physical and postal addresses
6. **Original** valid SARS Tax Clearance Certificate
7. **Certified copy** of VAT Registration Certificate
8. **A valid and original** B-BBEE Verification Certificate / sworn affidavit **or certified copy** thereof meeting the requirements for B-BBEE compliance as per the B-BBEE Codes of Good Practice
9. **Certified copy** of valid Company Registration Certificate [if applicable]

Vendor Application Form

Company trading name						
Company registered name						
Company Registration Number or ID Number if a Sole Proprietor						
Form of entity [✓]	CC	Trust	Pty Ltd	Limited	Partnership	Sole Proprietor
VAT number [if registered]						
Company telephone number						
Company fax number						
Company email address						
Company website address						
Bank name				Branch & Branch code		
Account holder				Bank account number		
Postal address						

Respondent's Signature

Date & Company Stamp

		Code	
Physical Address		Code	
Contact person			
Designation			
Telephone			
Email			
Annual turnover range [last financial year]	< R5 m	R5 - 35 m	> R35 m
Does your company provide	Products	Services	Both
Area of delivery	National	Provincial	Local
Is your company a public or private entity	Public	Private	
Does your company have a Tax Directive or IRP30 Certificate	Yes	No	
Main product or services [e.g. Stationery/Consulting]			

Complete B-BBEE Ownership Details:

% Black ownership	% Black women ownership	% Disabled Black ownership	% Youth ownership
Does your entity have a B-BBEE certificate		Yes	No
What is your B-BBEE status [Level 1 to 9 / Unknown]			
How many personnel does the entity employ		Permanent	Part time

If you are an existing Vendor with Transnet please complete the following:

Transnet contact person	
Contact number	
Transnet Operating Division	

Duly authorised to sign for and on behalf of Company / Organisation:

Name		Designation	
Signature		Date	

RFQ FOR THE SUPPLY OF BOLTS AND NUTS

ANNEXURE A : B-BBEE PREFERENCE POINTS CLAIM FORM

This preference form contains general information and serves as a claim for preference points for Broad-Based Black Economic Empowerment [**B-BBEE**] Status Level of Contribution.

1. INTRODUCTION

- 1.1 A total of 20 (twenty) preference points shall be awarded for B-BBEE Status Level of Contribution.
- 1.2 Failure on the part of a Bidder to fill in and/or to sign this form and submit a B-BBEE Verification Certificate from a Verification Agency accredited by the South African Accreditation System [**SANAS**] or a Registered Auditor approved by the Independent Regulatory Board of Auditors [**IRBA**] or an Accounting Officer as contemplated in the Close Corporation Act [**CCA**] together with the bid will be interpreted to mean that preference points for B-BBEE Status Level of Contribution are not claimed.
- 1.3 Transnet reserves the right to require of a Bidder, either before a Bid is adjudicated or at any time subsequently, to substantiate any claim in regard to preferences, in any manner required by Transnet.

2. GENERAL DEFINITIONS

- 2.1 "**all applicable taxes**" include value added tax, pay as you earn, income tax, unemployment insurance fund contributions and skills development levies;
- 2.2 "**B-BBEE**" means broad-based black economic empowerment as defined in section 1 of the Broad-Based Black Economic Empowerment Act;
- 2.3 "**B-BBEE status of contributor**" means the B-BBEE status received by a measured entity based on its overall performance using the relevant scorecard contained in the Codes of Good Practice on Black Economic Empowerment, issued in terms of section 9(1) of the Broad-Based Black Economic Empowerment Act;
- 2.4 "**Bid**" means a written offer in a prescribed or stipulated form in response to an invitation by Transnet for the provision of goods, works or services;
- 2.5 "**Broad-Based Black Economic Empowerment Act**" means the Broad-Based Black Economic Empowerment Act, 2003 [Act No. 53 of 2003];
- 2.6 "**comparative price**" means the price after the factors of a non-firm price and all unconditional discounts that can be utilised have been taken into consideration;
- 2.7 "**consortium or joint venture**" means an association of persons for the purpose of combining their expertise, property, capital, efforts, skills and knowledge in an activity for the execution of a contract;
- 2.8 "**contract**" means the agreement that results from the acceptance of a bid by Transnet;
- 2.9 "**EME**" means any enterprise with an annual total revenue of R5 [five] million or less as per the 2007 version of the B-BBEE Codes of Good Practice and means any enterprise with an annual total revenue of R10 [ten] million or less as per the Revised Codes of Good Practice issued on 11 October 2013 in terms of Government Gazette No. 36928;

- 2.10 **"firm price"** means the price that is only subject to adjustments in accordance with the actual increase or decrease resulting from the change, imposition, or abolition of customs and excise duty and any other duty, levy, or tax, which, in terms of the law or regulation, is binding on the contractor and demonstrably has an influence on the price of any supplies, or the rendering costs of any service, for the execution of the contract;
- 2.11 **"functionality"** means the measurement according to predetermined norms, as set out in the bid documents, of a service or commodity that is designed to be practical and useful, working or operating, taking into account, among other factors, the quality, reliability, viability and durability of a service and the technical capacity and ability of a bidder;
- 2.12 **"non-firm prices"** means all prices other than "firm" prices;
- 2.13 **"person"** includes reference to a juristic person;
- 2.14 **"QSE"** means any enterprise with an annual total revenue between R5 [five] million and R35 [thirty five] million as per the 2007 version of the B-BBEE Codes of Good Practice and means any enterprise with an annual total revenue of between R1 [ten] million and R50 [fifty] million as per the Revised Codes of Good Practice issued on 11 October 2013 in terms of Government Gazette No. 36928
- 2.15 **"rand value"** means the total estimated value of a contract in South African currency, calculated at the time of bid invitations, and includes all applicable taxes and excise duties;
- 2.16 **"subcontract"** means the primary contractor's assigning or leasing or making out work to, or employing another person to support such primary contractor in the execution of part of a project in terms of the contract;
- 2.17 **"total revenue"** bears the same meaning assigned to this expression in the Codes of Good Practice on Black Economic Empowerment, issued in terms of section 9(1) of the Broad-Based Black Empowerment Act and promulgated in the Government Gazette on 9 February 2007;
- 2.18 **"trust"** means the arrangement through which the property of one person is made over or bequeathed to a trustee to administer such property for the benefit of another person; and
- 2.19 **"trustee"** means any person, including the founder of a trust, to whom property is bequeathed in order for such property to be administered for the benefit of another person.

3. ADJUDICATION USING A POINT SYSTEM

- 3.1 The Bidder obtaining the highest number of total points for the evaluation criteria as enumerated in Section 2 of the RFP will be awarded the contract, unless objective criteria justifies the award to another bidder.
- 3.2 Preference points shall be calculated after prices have been brought to a comparative basis taking into account all factors of non-firm prices and all unconditional discounts.
- 3.3 Points scored will be rounded off to 2 [two] decimal places.
- 3.4 In the event of equal points scored, the Bid will be awarded to the Bidder scoring the highest number of preference points for B-BBEE.
- 3.5 However, when functionality is part of the evaluation process and two or more Bids have scored equal points including equal preference points for B-BBEE, the successful Bid will be the one

scoring the highest score for functionality.

3.6 Should two or more Bids be equal in all respect, the award shall be decided by the drawing of lots.

"PREVIEW COPY ONLY"

4. POINTS AWARDED FOR B-BBEE STATUS LEVEL OF CONTRIBUTION

- 4.1 In terms of the Preferential Procurement Regulations, 2011, preference points shall be awarded to a Bidder for attaining the B-BBEE status level of contribution in accordance with the table below:

B-BBEE Status Level of Contributor	Number of Points [Maximum 20]
1	20
2	18
3	16
4	12
5	8
6	6
7	4
8	2
Non-compliant contributor	0

- 4.2 Bidders who qualify as EMEs in terms of the 2007 version of the Codes of Good Practice must submit a certificate issued by an Accounting Officer as contemplated in the CCA or a Verification Agency accredited by SANAS or a Registered Auditor. Registered auditors do not need to meet the prerequisite for IRBA's approval for the purpose of conducting verification and issuing EME's with B-BBEE Status Level Certificates.
- 4.3 Bidders who qualify as EMEs in terms of the Revised Codes of Good Practice issued on 11 October 2013 in terms of Government Gazette No. 36928 are only required to obtain a sworn affidavit on an annual basis confirming that the entity has an Annual Total Revenue of R10 million or less and the entity's Level of Black ownership.
- 4.4 In terms of the 2007 version of the Codes of Good Practice, Bidders other than EMEs must submit their original and valid B-BBEE status level verification certificate or a certified copy thereof, substantiating their B-BBEE rating issued by a Registered Auditor approved by IRBA or a Verification Agency accredited by SANAS.
- 4.5 In terms of the Revised Codes of Good Practice issued on 11 October 2013 in terms of Government Gazette No. 36928, Bidders who qualify as QSEs are only required to obtain a sworn affidavit on an annual basis confirming that the entity has an Annual Total Revenue of R50 million or less and the entity's Level of Black ownership. Large enterprises must submit their original and valid B-BBEE status level verification certificate or a certified copy thereof, substantiating their B-BBEE rating issued by a Registered Auditor approved by IRBA or a Verification Agency accredited by SANAS.
- 4.6 A trust, consortium or joint venture will qualify for points for its B-BBEE status level as a legal entity, provided that the entity submits its B-BBEE status level certificate.
- 4.7 A trust, consortium or joint venture will qualify for points for their B-BBEE status level as an unincorporated entity, provided that the entity submits their consolidated B-BBEE scorecard as if they were a group structure and that such a consolidated B-BBEE scorecard is prepared for every separate bid.
- 4.8 Tertiary institutions and public entities will be required to submit their B-BBEE status level

certificates in terms of the specialised scorecard contained in the B-BBEE Codes of Good Practice.

- 4.9 A person will not be awarded points for B-BBEE status level if it is indicated in the Bid documents that such a Bidder intends subcontracting more than 25% [twenty-five per cent] of the value of the contract to any other enterprise that does not qualify for at least the same number of points that such a Bidder qualifies for, unless the intended subcontractor is an EME that has the capability and ability to execute the subcontract.
- 4.10 A person awarded a contract may not subcontract more than 25% [twenty-five per cent] of the value of the contract to any other enterprise that does not have an equal or higher B-BBEE status level than the person concerned, unless the contract is subcontracted to an EME that has the capability and ability to execute the subcontract.
- 4.11 Bidders are to note that in terms of paragraph 2.6 of Statement 000 of the Revised Codes of Good Practice issued on 11 October 2013 in terms of Government Gazette No. 36928, any representation made by an entity about its B-BBEE compliance must be supported by suitable evidence or documentation. As such, Transnet reserves the right to request such evidence or documentation from Bidders in order to verify any B-BBEE recognition claimed.

5. B-BBEE STATUS AND SUBCONTRACTING

5.1 Bidders who claim points in respect of B-BBEE Status Level of Contribution must complete the following:

B-BBEE Status Level of Contribution _____ = _____ [maximum of 20 points]

Note: Points claimed in respect of this paragraph 5.1 must be in accordance with the table reflected in paragraph 4.1 above and must be substantiated by means of a B-BBEE certificate issued by a Verification Agency accredited by SANAS or a Registered Auditor approved by IRBA or a sworn affidavit in the case of an EME or QSE.

5.2 Subcontracting:

Will any portion of the contract be subcontracted? YES/NO [delete which is not applicable]

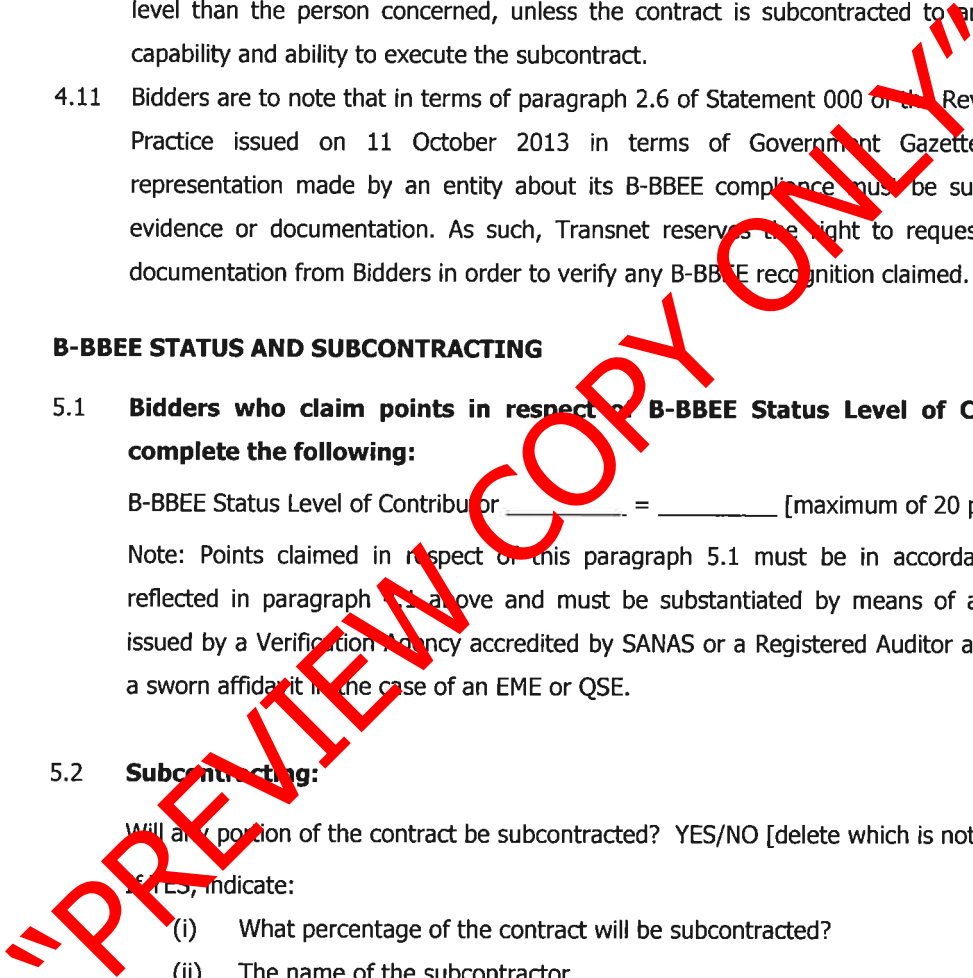
If YES, indicate:

- (i) What percentage of the contract will be subcontracted?%
- (ii) The name of the subcontractor
- (iii) The B-BBEE status level of the subcontractor
- (iv) Is the subcontractor an EME? YES/NO

5.3 Declaration with regard to Company/Firm

- (i) Name of Company/Firm.....
- (ii) VAT registration number.....
- (iii) Company registration number.....
- (iv) Type of Company / Firm [TICK APPLICABLE BOX]

- Partnership/Joint Venture/Consortium
- One person business/sole propriety
- Close Corporations



Company (Pty) Ltd

(v) Describe Principal Business Activities

.....
.....
.....

(vi) Company Classification [TICK APPLICABLE BOX]

- Manufacturer
- Supplier
- Professional Service Provider
- Other Service Providers, e.g Transporter, etc

(vii) Total number of years the company/firm has been in business.....

BID DECLARATION

I/we, the undersigned, who warrants that he/she is duly authorised to do so on behalf of the company/firm, certify that points claimed, based on the B-BBEE status level of contribution indicated in paragraph 4 above, qualifies the company/firm for the preference(s) shown and I / we acknowledge that:

- (i) The information furnished is true and correct.
- (ii) In the event of a contract being awarded as a result of points claimed as shown in paragraph 6 above, the contractor may be required to furnish documentary proof to the satisfaction of Transnet that the claims are correct.
- (iii) If the B-BBEE status level of contribution has been claimed or obtained on a fraudulent basis or any of the conditions of contract have not been fulfilled, Transnet may, in addition to any other remedy it may have:
 - (a) disqualify the person from the bidding process;
 - (b) recover costs, losses or damages it has incurred or suffered as a result of that person's conduct;
 - (c) cancel the contract and claim any damages which it has suffered as a result of having to make less favourable arrangements due to such cancellation;
 - (d) restrict the Bidder or contractor, its shareholders and directors, and/or associated entities, or only the shareholders and directors who acted in a fraudulent manner, from obtaining business from Transnet for a period not exceeding 10 years, after the *audi alteram partem* [hear the other side] rule has been applied; and/or
 - (e) forward the matter for criminal prosecution.

"PREVIEW COPY ONLY"

WITNESSES:

- 1.
- 2.

SIGNATURE OF BIDDER

DATE:.....

COMPANY NAME:

ADDRESS:.....