

TRANSNET FREIGHT RAIL RME, a division of

TRANSNET SOC LTD

Registration Number 1990/000900/30

[hereinafter referred to as **Transnet**]

REQUEST FOR QUOTATION [RFQ] No RME RBY 011/2014

FOR THE SUPPLY OF: COMPOSITE INSULATORS

FOR DELIVERY TO: THE RICHARDS BAY REGION FOR A 24 MONTH PERIOD

ISSUE DATE: 3rd March 2014 to the 18th March 2014

CLOSING DATE: 20th March 2014

CLOSING TIME: 12:00

"PREVIEW COPY ONLY"

Section 1
NOTICE TO BIDDERS

Quotations which must be completed as indicated in Section 2 of this RFQ are to be submitted as follows:

METHOD: Tender Box
CLOSING VENUE: Transnet Freight Rail (RME)
The Chairman of the Acquisition Council
Inyanda House 1, 21 Wellington Rd
Parktown, Gauteng

1 Responses to RFQ

Responses to this RFQ [Quotations] must not include documents or reference relating to any other quotation or proposal. Any additional conditions must be embodied in an accompanying letter.

2 Broad-Based Black Economic Empowerment [B-BBEE]

Transnet fully endorses and supports the Government's Broad-Based Black Economic Empowerment Programme and it would therefore prefer to do business with local business enterprises who share these same values. Transnet will accordingly allow a "preference" to companies who provide a valid B-BBEE Verification Certificate. All procurement transactions will be evaluated accordingly.

2.1 B-BBEE Scorecard and Rating

As prescribed in terms of the Preferential Procurement Policy Framework Act (PPPFA), Act 5 of 2000 and its Regulations, Respondents are to note that the following preference point systems are applicable to all bids:

- the 80/20 system for requirements with a Rand value of up to R1 000 000 (all applicable taxes included); and
- the 90/10 system for requirements with a Rand value above R1 000 000 (all applicable taxes included).
- Bidders are to note that if the 80/20 preference point system is stipulated in this RFP and all Bids received exceed R1 000 000.00, the RFP must be cancelled. Similarly, if the 90/10 preference point system is stipulated in this RFP and all Bids received are equal to or below R1 000 000.00, the RFP must be cancelled.

The value of this bid is estimated to exceed R1 000 000 (all applicable taxes included); and therefore the **90/10** system shall be applicable.

When Transnet invites prospective suppliers to submit Proposals for its various expenditure programmes, it requires Respondents to have their B-BBEE status verified in compliance with the Codes of Good Practice issued in terms of the Broad Based Black Economic Empowerment Act No. 53 of 2003.

The Department of Trade and Industry recently revised the Codes of Good Practice on 11 October 2013 [Government Gazette No. 36928]. The Revised Codes will replace the Black Economic

Respondent's Signature

Date & Company Stamp

Empowerment Codes of Good Practice issued on 9 February 2007. The Revised Codes provide for a one year transitional period starting 11 October 2013. During the transitional period, companies may elect to be measured in terms of the Revised Codes or the 2007 version of the Codes. After the first year of the implementation of the Revised Codes, B-BBEE compliance will be measured in terms of the Revised Codes without any discretion. Companies which are governed by Sector-specific Codes will be measured in terms of those Sector Codes.

As such, Transnet will accept B-BBEE certificates issued based on the Revised Codes. Transnet will also continue to accept B-BBEE certificates issued in terms of the 2007 version of the Codes provided it was issued before 10 October 2014. Thereafter, Transnet will only accept B-BBEE certificates issued based on the Revised Codes.

Respondents are required to complete Annexure A [the B-BBEE Preference Point Claim Form] and submit it together with proof of their B-BBEE Status as stipulated in the Claim Form in order to obtain preference points for their B-BBEE status.

Note: Failure to submit a valid and original B-BBEE certificate or a certified copy thereof at the Closing Date of this RFQ will result in a score of zero being allocated for B-BBEE.

[Refer clause 20 below for Returnable Documents required]

2.2 B-BBEE Improvement Plan

B-BBEE Improvement Plan will not be required for this tender.

2.3 Supplier Development Initiatives

Supplier development will not apply to this tender.

3 Communication

Respondents are warned that a response will be liable for disqualification should any attempt be made by a Respondent either directly or indirectly to canvass any officer(s) or employee of Transnet in respect of this RFQ between the closing date and the date of the award of the business.

A Respondent may, however, before the closing date and time, direct any written enquiries relating to the RFQ to the following Transnet employee:

Name: Lizelle Smith

Email: Lizelle.smith@transnet.net

Respondents may also, at any time after the closing date of the RFQ, communicate with the Regional Supply Chain Manager of the Supply Chain Department on any matter relating to its RFQ response:

Telephone 035 905 4609

Email Lizelle.smith@transnet.net

4 Tax Clearance

The Respondent's original and valid Tax Clearance Certificate must accompany the Quotation. Note that no business shall be awarded to any Respondent whose tax matters have not been declared by SARS to be in order.

Respondent's Signature

Date & Company Stamp

5 VAT Registration

The valid VAT registration number must be stated here: _____ [if applicable].

6 Legal Compliance

The successful Respondent shall be in full and complete compliance with any and all applicable national and local laws and regulations.

7 Changes to Quotations

Changes by the Respondent to its submission will not be considered after the closing date and time.

8 Pricing

All prices must be quoted in South African Rand on a fixed price basis, excluding VAT for a period of twelve months from contract start date.

Adjustment to the contract will be based on Annexure E Price Adjustment for Inflation. (Twelve months after contract start date).

9 Prices Subject to Confirmation

Prices quoted which are subject to confirmation will not be considered.

10 Negotiations

Transnet reserves the right to undertake post-tender negotiations with selected Respondents or any number of shortlisted Respondents.

11 Binding Offer

Any Quotation furnished pursuant to this Request shall be deemed to be an offer. Any exceptions to this statement must be clearly and specifically indicated.

12 Disclaimers

Transnet is not committed to any course of action as a result of its issuance of this RFQ and/or its receipt of a Quotation in response to it. Please note that Transnet reserves the right to:

- modify the RFQ's goods / service(s) and request Respondents to re-bid on any changes;
- reject any Quotation which does not conform to instructions and specifications which are detailed herein;
- disqualify Quotations submitted after the stated submission deadline;
- not necessarily accept the lowest priced Quotation;
- reject all Quotations, if it so decides;
- place an order in connection with this Quotation at any time after the RFQ's closing date;
- award only a portion of the proposed goods / service/s which are reflected in the scope of this RFQ;
- split the award of the order/s between more than one Supplier/Service Provider; or
- make no award at all.

Transnet reserves the right to award business to the highest scoring bidder/s unless objective criteria justify the award to another bidder.

Respondent's Signature

Date & Company Stamp

13 Transnet's supplier integrity pact

Transnet's Integrity Pact requires a commitment from suppliers and Transnet that they will not engage in any corrupt and fraudulent practices, anti-competitive practices; and act in bad faith towards each other. The Integrity Pact also serves to communicate Transnet's Gift Policy as well as the remedies available to Transnet where a Respondent contravenes any provision of the Integrity Pact.

Respondents are required to familiarise themselves with the contents of the Integrity Pact which is available on the Transnet Internet site [www.transnet.net/Tenders/Pages/default.aspx] or on request. Furthermore, Respondents are required to certify that they have acquainted themselves with all the documentation comprising the Transnet Integrity Pact and that they fully comply with all the terms and conditions stipulated in the Transnet Supplier Integrity Pact as follows:

YES		NO	
------------	--	-----------	--

Should a Respondent need to declare previous transgressions or a serious breach of law in the preceding 5 years as required by Annexure A to the Integrity Pact, such declaration must accompany the Respondent's bid submission.

14 Respondent's Samples

Respondent's samples will not be required for this tender.

15 Evaluation Criteria

Transnet will utilise the following criteria [not necessarily in this order] in choosing a Supplier/Service Provider, if so required:

Criterion /Criteria	Explanation
Administrative responsiveness	Completeness of response and returnable documents
Substantive responsiveness	Prequalification criteria, if any, must be met and whether the Bid materially complies with the scope and/or specification given. <ul style="list-style-type: none"> • All items on the Pricing Schedule should be priced; if not it will result in a bid being disqualified.
Functionality Threshold	As prescribed in terms of the Preferential Procurement Policy Framework Act (PPFA), Act 5 of 2000 and its Regulations, Respondents are to note that functionality is included as threshold with a prescribed percentage threshold of 60%. Compliance to specification / quality/adherence to specification and delivery lead-time will be considered as part of the technical evaluation[complete Annexure B – Technical Questionnaire]

Respondent's Signature

Date & Company Stamp

<p>Final weighted evaluation based on 90/10 preference point system as indicated in paragraph 2</p>	<ul style="list-style-type: none"> Pricing and price basis [firm] - whilst not the sole factor for consideration, competitive pricing and overall level of unconditional discounts¹ will be critical B-BBEE status of company - Preference points will be awarded to a bidder for attaining the B-BBEE status level of contribution in accordance with the table indicated in Annexure A.
--	--

16 Validity Period

Transnet desires a validity period of 90 [ninety] days from the closing date of this RFQ. This RFQ is valid until _____.

17 Banking Details

BANK: _____
 BRANCH NAME / CODE: _____
 ACCOUNT HOLDER: _____
 ACCOUNT NUMBER: _____

18 Company Registration

Registration number of company / C.C. _____
 Registered name of company / C.C. _____

19 Disclosure of Prices Quoted

Respondents must indicate here whether Transnet may disclose their quoted prices and conditions to other Respondents:

YES NO

20 Returnable Documents

Returnable Documents means all the documents, Sections and Annexures, as listed in the tables below.

- a) Respondents are required to submit with their Quotations the **mandatory Returnable Documents**, as detailed below.

Failure to provide all these Returnable Documents at the Closing Date and time of this RFQ will result in a Respondent's disqualification. Respondents are therefore urged to ensure that all these Documents are returned with their Quotations.

All Sections, as indicated in the footer of each page, must be signed, stamped and dated by the Respondent. Please confirm submission of these mandatory Returnable Documents by so indicating [Yes or No] in the table below:

¹ Only unconditional discounts will be taken into account during evaluation. A discount which has been offered conditionally will, despite not being taken into account for evaluation purposes, be implemented when payment is effected.

Respondent's Signature _____

_____ Date & Company Stamp

Mandatory Returnable Documents	Submitted [Yes or No]
SECTION 2 : Quotation Form	
ANNEXURE B : Technical Submission/Questionnaire	

b) In addition to the requirements of section (a) above, Respondents are further required to submit with their Quotations the following **essential Returnable Documents** as detailed below.

Failure to provide all these Returnable Documents may result in a Respondent's disqualification. Respondents are therefore urged to ensure that all these documents are returned with their Quotations.

All Sections, as indicated in the footer of each page, must be signed, stamped and dated by the Respondent. Please confirm submission of these essential Returnable Documents by so indicating [Yes or No] in the table below:

Essential Returnable Documents	Submitted [Yes or No]
<p>SECTION 1 : Notice to Bidders</p> <ul style="list-style-type: none"> - Valid and original B-BBEE Verification Certificate or certified copy thereof [Large Enterprises and QSEs] <p>Note: failure to provide a valid B-BBEE Verification Certificate at the closing date and time of the RFQ will result in an automatic score of zero for preference</p> <ul style="list-style-type: none"> - Valid and original B-BBEE certificate/sworn affidavit or certified copy thereof from auditor, accounting officer or SANAS accredited Verification Agency [EMES] <p>Note: failure to provide a valid B-BBEE Verification Certificate at the closing date and time of the RFQ will result in an automatic score of zero being allocated for preference</p> <ul style="list-style-type: none"> - In the case of Joint Ventures, a copy of the Joint Venture Agreement or written confirmation of the intention to enter into a Joint Venture Agreement - Original valid Tax Clearance Certificate [Consortia / Joint Ventures must submit a separate Tax Clearance Certificate for each party] <p>SECTION 3 : Standard Terms and Conditions of Contract for the Supply of Goods or Services to Transnet</p> <p>SECTION 4 : Vendor Application Form</p> <ul style="list-style-type: none"> - Original cancelled cheque or bank verification of banking details - Certified copies of IDs of shareholder/directors/members [as applicable] - Certified copies of the relevant company registration documents from Companies and Intellectual Property Commission (CIPC) - Certified copies of the company's shareholding/director's portfolio - Entity's letterhead - Certified copy of VAT Registration Certificate [RSA entities only] - Certified copy of valid Company Registration Certificate [if applicable] - A signed letter from Respondent's auditor or accountant confirming most recent annual turnover figures 	

Respondent's Signature _____

_____ Date & Company Stamp

Essential Returnable Documents	Submitted [Yes or No]
ANNEXURE A – B-BBEE Preference Points Claim Form	

"PREVIEW COPY ONLY"

Respondent's Signature

Date & Company Stamp

Section 2 QUOTATION FORM

I/We _____ hereby offer to supply the goods/services at the prices quoted in the Price Schedule below, in accordance with the conditions related thereto.

I/We agree to be bound by those terms and conditions in:

- the Standard Terms and Conditions for the Supply of Goods or Services to Transnet [Section 3 hereof]; and
- any other standard or special conditions mentioned and/or embodied in this Request for Quotation.

I/We accept that unless Transnet should otherwise decide and so inform me/us, this Quotation [and, if any, its covering letter and any subsequent exchange of correspondence], together with Transnet's acceptance thereof shall constitute a binding contract between Transnet and me/us.

I/We further agree that if, after I/We have been notified of the acceptance of my/our Quotation, I/We fail to deliver the said goods/service/s within the delivery lead-time quoted, Transnet may, without prejudice to any other legal remedy which it may have, cancel the order and recover from me/us any expenses incurred by Transnet in calling for Quotations afresh and/or having to accept any less favourable offer.

Price Schedule

I/We quote as follows for the goods required, on a "delivered nominated destination" basis, excluding VAT:

Item No	Description of Goods /Services	Unit of Measure	Quantity	Unit Price (ZAR)	Total Price (ZAR)
1	11kV Vandal proof post top transmission line insulator; F-neck type: To include M20x155mm full thread spindle Nut and flat washer: Galvanising as per specification SANS 121. As per Drg. BBC8439	EA	50		
2	25kV AC Tension type insulator; Material Silicon rubber; Creepage path 1476mm; Vandal proof (Composite) Square Tongue and Round Clevis; End caps galvanised as per SANS 121; As per Drg. BBB0281 Rev 4	EA	700		
3	25kV AC compression type insulator; Square tongue and pipe fitting as per Drg. BBB0430 Rev. 3; Creepage path 1476mm; As per Drg. BBB0429 Rev 4	EA	850		
4	25kV AC compression type; Square tongue and clevis as per Drg. BBB430 Rev 3; Creepage	EA	50		

Respondent's Signature

Date & Company Stamp

	path 1476mm: As per Drg. BBB0429 REV 4				
5	3KV Strain type insulator; Vandal proof; Creepage path 400mm; Square tongue and round clevis and caps; As per Drg no-BBB0589	EA	40		
6	25kv AC post type insulator stand-off; Vandal proof; Station post as per Drg no-BBC8438	EA	40		

Delivery Lead-Time from date of purchase order : _____ **[days/weeks]**

Notes to Pricing:

- a) All Prices must be quoted in South African Rand, exclusive of VAT
- b) To facilitate like-for-like comparison bidders must submit pricing strictly in accordance with this price schedule and not utilise a different format. Deviation from this pricing schedule could result in a bid being disqualified.
- c) Please note that should you have offered a discounted price(s), Transnet will only consider such price discount(s) in the final evaluation stage if offered on an unconditional basis.
- d) All items on the Pricing Schedule should be priced; if not it will result in a bid being disqualified.
- e) Tenderers are required to provide a fixed price for the first twelve months from contract start date.
- f) Adjustment to the contract will be based on Annexure E Price Adjustment for Inflation. (Twelve months from contract start date)

"PREVIEW COPY"

Respondent's Signature

Date & Company Stamp

Section 3**STANDARD TERMS AND CONDITIONS FOR THE SUPPLY OF GOODS OR SERVICES TO TRANSNET**

A Supplier/Service Provider shall be obliged to adhere to the Standard Terms and Conditions for the Supply of Goods and Services to Transnet as expressed hereunder. Should the Respondent find any condition(s) unacceptable, it should indicate which condition(s) is/are unacceptable and offer an alternative(s). A Quotation submitted by a Respondent will be subjected to review and acceptance or rejection of its proposed contractual terms and conditions by Transnet's Legal Counsel, prior to consideration for an award of business.

1 SOLE AGREEMENT

Unless otherwise agreed in writing, these terms [Terms and each Term] and Transnet's purchase order(s) [Order or Orders] represent the only conditions upon which Transnet SOC Ltd [Transnet] procures goods [the Goods] or services [the Services] specified in the Order from the person to whom the Order is addressed [the Supplier/Service Provider]. Transnet does not accept any other conditions which the Supplier/Service Provider may specify, unless otherwise agreed to by Transnet in writing. In the event of any inconsistency between these Terms and any Order, these Terms shall take precedence.

2 CONFORMITY WITH ORDER

Goods/Services shall conform strictly with the Order. The Supplier/Service Provider shall not vary the quantities specified and/or the specification, if any, stipulated in the Order, without the prior written consent of Transnet. The Supplier/Service Provider warrants that the Goods/Services shall be fit for their purpose and of satisfactory quality.

3 DELIVERY AND TITLE

- 3.1 The delivery dates and addresses are those in the Order. Time shall be of the essence in respect of the Supplier's/Service Provider's obligations under the Order.
- 3.2 The Supplier/Service Provider will not be excused for delay in delivery or performance except due to circumstances outside its control and then only subject to the Supplier/Service Provider having notified Transnet in writing on becoming aware of such circumstances. Transnet may terminate an Order, in whole or in part, without incurring any liability to the Supplier/Service Provider if such a delay becomes, in Transnet's absolute opinion, significant.
- 3.3 Risk of loss or damage to Goods shall pass to Transnet on delivery, and title shall pass to Transnet when payment to the Supplier for the Goods has been effected.
- 3.4 If on delivery, the Goods/Services do not conform to the Order, Transnet may reject the Goods/Services and the Supplier/Service Provider shall promptly rectify any defects or in Transnet's opinion, supply appropriate replacement Goods/Services at the Supplier's/Service Provider's expense within the specified delivery times, without any liability due by Transnet. Goods shall be subject to such testing and/or inspection as Transnet may consider necessary.

Respondent's Signature

Date & Company Stamp

4 PRICE AND PAYMENT

- 4.1 Prices specified in an Order cannot be increased. Payment for the Goods/Services shall be made by Transnet against an original undisputed invoice(s) [a Tax Invoice], supporting documentation and month-end statement from the Supplier/Service Provider. Tax Invoices plus supporting documentation shall be posted to the address shown in the Order.
- 4.2 Payment of the Supplier's/Service Provider's valid Tax Invoice(s) will be made by Transnet in the South African currency and on the terms stated in the Order, the standard payment terms being 30 [thirty] days from date of receipt by Transnet of a month-end statement, unless otherwise agreed to in writing. Transnet shall arrange for payment of such Tax Invoices and any pre-authorised additional expenses incurred, provided that the authorised expenses are supported by acceptable documentary proof of expenditure incurred [where this is available]. Any amounts due in terms of these Terms shall be paid to the Supplier/Service Provider, taking into account any deduction or set-off and bank charges.

5 PROPRIETARY RIGHTS LIABILITY

If any allegations should be made or any claim asserted against Transnet that ownership of, or any act or omission by Transnet in relation to Goods/Services or any written material provided to Transnet relating to any Goods/Services or pursuant to an Order being a violation or infringement of any third party's contractual, industrial, commercial or intellectual property rights including but not limited to any patent, registered design, design right, trade mark, copyright or service mark on any application thereof, the Supplier/Service Provider hereby indemnifies Transnet against and hold it harmless from any and all losses, liabilities, costs, claims, damages and expenses [including any legal fees] arising directly or indirectly from such allegation or claim provided that this indemnity shall not apply where the allegation or claim arises solely as a result of the Supplier/Service Provider following a design or process originated and furnished by Transnet. The Supplier/Service Provider shall either

- a) procure for Transnet the right to continue using the infringing Goods; or
- b) modify or replace the Goods/Services so that they become non-infringing,

provided that in both cases the Goods/Services shall continue to meet Transnet's requirements and any specifications stipulated in the Order. Should neither option be possible, the Supplier/Service Provider may remove, with Transnet's prior written consent, such Goods/Services and will pay to Transnet a sum equivalent to the purchase price. If Transnet refuses to give such consent, the Supplier/Service Provider shall have no liability in respect of any continued use of the infringing Goods/Services after Supplier's/Service Provider's prior written request to remove the same.

6 PROPRIETARY INFORMATION

All information which Transnet has divulged or may divulge to the Supplier/Service Provider and any information relating to Transnet's business which may have come into the Supplier's/Service Provider's possession whilst carrying out an Order, and the existence of the Order, shall be treated by the Supplier/Service Provider as confidential information and shall not, without Transnet's prior written consent, be disclosed to any third party, or be used or copied for any purposes other than to perform the Order. This clause does not apply to information which is public knowledge or available from other sources other than by breach of this Term. Upon request by Transnet, the Supplier/Service Provider shall return all

Respondent's Signature

Date & Company Stamp

materials issued pursuant to the Order and, pending this, shall protect Transnet's rights in any such materials. Such confidential information shall at all material times be the property of Transnet.

7 DEVELOPMENT WORK IN THE PRODUCTION OF GOODS

If the production or provision of any Goods involves research and/or development which are wholly or partly funded by Transnet, then all intellectual property or other rights as a result thereof shall be the property of Transnet on creation.

8 PUBLICITY

The Supplier/Service Provider shall not name Transnet or use its trademarks, service marks [whether registered or not] or Goods in connection with any publicity without Transnet's prior written consent.

9 AFTER SALES SERVICE

The Supplier shall provide replacement parts necessary to ensure the uninterrupted operation of the Goods ~~supplied~~ for the duration of the warranty period, from delivery of any particular item of the Goods and if requested by Transnet shall make these parts available to a third party maintainer of Transnet's choice at the same price as if the parts had been supplied to Transnet. The Supplier undertakes to provide a maintenance service for Goods, should Transnet so request, on terms to be agreed. If the Order so indicates, the Supplier will provide a warranty service for the Goods at a level to be agreed with Transnet.

10 TERMINATION OF ORDER

10.1 Transnet may cancel an Order in whole or in part at any time upon at least 7 [seven] days' written notice to the Supplier/Service Provider, or when there is a change in control of the Supplier/Service Provider or the Supplier/Service Provider commits any serious breach or any repeated or continued material breach of its obligations under these Terms and/or Order or shall have been guilty of conduct tending to bring itself into disrepute, on written notice to the Supplier/Service Provider when such work on the Order shall stop.

10.2 Transnet shall pay the Supplier/Service Provider a fair and reasonable price for justified work in progress, where such price reflects only those costs not otherwise recoverable by the Supplier/Service Provider, at the time of termination, and the Supplier/Service Provider shall give Transnet full assistance to check the extent of such work in progress. Payment of such price shall be in full and final satisfaction of any claims arising out of such termination and upon such payment the Supplier/Service Provider shall deliver to Transnet all work, including any materials, completed or in progress. The sum payable to the Supplier/Service Provider under this clause will not in any event exceed the total amount that would have been payable to the Supplier/Service Provider had the Order not been terminated.

10.3 In the event of termination the Supplier/Service Provider must submit all claims within 2 [two] months of termination after which time claims will only be met in what Transnet considers exceptional circumstances.

10.4 If the Goods or Services are not provided in accordance with an Order, the Order shall be deemed terminated and the Supplier/Service Provider shall compensate Transnet for any costs incurred in obtaining substitute Goods or any damage caused due to the failure or delay in the delivery.

Respondent's Signature

Date & Company Stamp

11 ACCESS

The Supplier/Service Provider shall be liable for the acts, omissions and defaults of its personnel or agents who, for the purposes of the Order, shall be treated as if they are the Supplier/s/Service Provider's employees. The Supplier/Service Provider shall ensure that any such personnel or agents, whilst on Transnet's premises, shall comply with Transnet's health and safety, security and system security rules and procedures as and where required.

12 WARRANTY

The Supplier/Service Provider warrants that it is competent to supply the Goods/Services in accordance with these Terms to the reasonable satisfaction of Transnet and that all Goods/Services delivered under the Order: (a) conform and comply in all relevant legislation, standards, directives and orders related to *[inter alia]* the supply, manufacture and use of the Goods/Services in force at the time of delivery, and to any specifications referred to in the Order; (b) will not cause any deterioration in the functionality of any Transnet equipment; and (c) do not infringe any third party rights of any kind. The Supplier/Service Provider hereby indemnifies Transnet against all losses, liabilities, costs, claims, damages, expenses and awards of any kinds incurred or made against Transnet in connection with any breach of this warranty.

13 INSOLVENCY

If the Supplier/Service Provider shall have a receiver, manager, administrator, liquidator or like person appointed over all or any part of its assets or if the Supplier/Service Provider compounds with its creditors or passes a resolution for the winding up or administration of the Supplier/Service Provider, Transnet is at liberty to terminate the Order or Orders forthwith, or at its option, to seek performance by any such appointed person.

14 ASSIGNMENT

The Supplier/Service Provider shall not assign its obligations under an Order without Transnet's prior written consent, which consent shall not be unreasonably withheld or delayed.

15 NOTICES

Notices under these Terms shall be delivered by hand to the relevant addresses of the parties in the Order or may be served by facsimile or by email, in which event notice shall be deemed served on acknowledgement of receipt by the recipient.

16 LAW

Orders shall be governed by and interpreted in accordance with South African law and any disputes arising herein shall be subject to South African arbitration under the rules of the Arbitration Foundation of South Africa, which rules are deemed incorporated by reference in this clause. The reference to arbitration shall not prevent Transnet referring the matter to any South African courts, having jurisdiction, to which the Supplier/Service Provider hereby irrevocably submits but without prejudice to Transnet's right to take proceedings against the Supplier/Service Provider in other jurisdictions and/or obtaining interim relief on an urgent basis from a court of competent jurisdiction pending the decision in other courts or from instituting in any court of competent jurisdiction any proceedings for an interdict or any other injunctive relief. If the Supplier/Service Provider does not have a registered office in the South Africa it will at all times maintain

an agent for service of process in South Africa and shall give Transnet the name and address of such agent as such may be amended, in writing, from time to time.

17 GENERAL

Completion or termination of an Order shall be without prejudice to any Term herein which by its nature would be deemed to continue after completion or termination, including but not limited to clauses 5, 6 and 10. Headings are included herein for convenience only. If any Term herein be held illegal or unenforceable, the validity or enforceability of the remaining Terms shall not be affected. No failure or delay by Transnet to enforce any rights under these Terms will operate as a waiver thereof by Transnet. All rights and remedies available to either party under these Terms shall be in addition to, not to the exclusion of, rights otherwise available at law.

18 COUNTERPARTS

These Terms and conditions may be signed in any number of counterparts, all of which taken together shall constitute one and the same instrument. Any party may enter into this agreement by signing any such counterpart.

"PREVIEW COPY ONLY"

By signing this RFQ document, the Respondent is deemed to acknowledge that he/she has made himself/herself thoroughly familiar with all the conditions governing this RFQ, including those contained in any printed form stated to form part hereof and Transnet SOC Ltd will recognise no claim for relief based on an allegation that the Respondent overlooked any such condition or failed to properly take it into account for the purpose of calculating quoted prices or otherwise.

SIGNED at _____ on this _____ day of _____ 20__

SIGNATURE OF RESPONDENT'S AUTHORISED REPRESENTATIVE

NAME: _____

DESIGNATION: _____

REGISTERED NAME OF COMPANY: _____

PHYSICAL ADDRESS: _____

Respondent's contact person: [Please complete]

Name	:	
Designation	:	
Telephone	:	
Cell Phone	:	
Facsimile	:	
Email	:	
Website	:	

Transnet urges its clients, suppliers and the general public

to report any fraud or corruption to

TIP-OFFS ANONYMOUS : 0800 003 056

Respondent's Signature

Date & Company Stamp

Section 4
VENDOR APPLICATION FORM

Respondents are to furnish the following documentation and complete the Vendor Application Form below:

1. **Original** cancelled cheque **OR** letter from the Respondent's bank verifying banking details [with bank stamp]
2. **Certified** copy of Identity Document(s) of Shareholders/Directors/Members [where applicable]
3. **Certified copies** of the relevant company registration documents from Companies and Intellectual Property Commission (CIPC)
4. **Certified copies** of the company's shareholding/director's portfolio
5. A letter on the company's letterhead confirm physical and postal addresses
6. **Original** valid SARS Tax Clearance Certificate
7. **Certified copy** of VAT Registration Certificate
8. **A valid and original** B-BBEE Verification Certificate / sworn affidavit **or certified copy** thereof meeting the requirements for B-BBEE compliance as per the B-BBEE Codes of Good Practice
9. **Certified copy** of valid Company Registration Certificate [if applicable]

Vendor Application Form

Company trading name						
Company registered name						
Company Registration Number or ID Number if a Sole Proprietor						
Form of entity [✓]	CC	Trust	Pty Ltd	Limited	Partnership	Sole Proprietor
VAT number [if registered]						
Company telephone number						
Company fax number						
Company email address						
Company website address						
Bank name				Branch & Branch code		
Account holder				Bank account number		
Postal address						

Respondent's Signature _____

_____ Date & Company Stamp

**RFQ FOR THE SUPPLY OF COMPOSITE INSULATORS
FOR A PERIOD OF 24 MONTHS**

ANNEXURE A : B-BBEE PREFERENCE POINTS CLAIM FORM

This preference form contains general information and serves as a claim for preference points for Broad-Based Black Economic Empowerment [B-BBEE] Status Level of Contribution.

1. INTRODUCTION

- 1.1 A total of 10 preference points shall be awarded for B-BBEE Status Level of Contribution.
- 1.2 Failure on the part of a Bidder to fill in and/or to sign this form and submit a B-BBEE Verification Certificate from a Verification Agency accredited by the South African Accreditation System [SANAS] or a Registered Auditor approved by the Independent Regulatory Board of Auditors [IRBA] or an Accounting Officer as contemplated in the Close Corporation Act [CCA] together with the bid will be interpreted to mean that preference points for B-BBEE Status Level of Contribution are not claimed.
- 1.3 Transnet reserves the right to require of a Bidder, either before a Bid is adjudicated or at any time subsequently, to substantiate any claim in regard to preferences, in any manner required by Transnet.

2. GENERAL DEFINITIONS

- 2.1 **"all applicable taxes"** include value-added tax, pay as you earn, income tax, unemployment insurance fund contributions and skills development levies;
- 2.2 **"B-BBEE"** means broad-based black economic empowerment as defined in section 1 of the Broad-Based Black Economic Empowerment Act;
- 2.3 **"B-BBEE status of contributor"** means the B-BBEE status received by a measured entity based on its overall performance using the relevant scorecard contained in the Codes of Good Practice on Black Economic Empowerment, issued in terms of section 9(1) of the Broad-Based Black Economic Empowerment Act;
- 2.4 **"Bid"** means a written offer in a prescribed or stipulated form in response to an invitation by Transnet for the provision of goods, works or services;
- 2.5 **"Broad-Based Black Economic Empowerment Act"** means the Broad-Based Black Economic Empowerment Act, 2003 [Act No. 53 of 2003];
- 2.6 **"comparative price"** means the price after the factors of a non-firm price and all unconditional discounts that can utilised have been taken into consideration;
- 2.7 **"consortium or joint venture"** means an association of persons for the purpose of combining their expertise, property, capital, efforts, skills and knowledge in an activity for the execution of a contract;
- 2.8 **"contract"** means the agreement that results from the acceptance of a bid by Transnet;

Respondent's Signature

Date & Company Stamp

- 2.9 **"EME"** means any enterprise with an annual total revenue of R5 [five] million or less as per the 2007 version of the B-BBEE Codes of Good Practice and means any enterprise with an annual total revenue of R10 [ten] million or less as per the Revised Codes of Good Practice issued on 11 October 2013 in terms of Government Gazette No. 36928;
- 2.10 **"firm price"** means the price that is only subject to adjustments in accordance with the actual increase or decrease resulting from the change, imposition, or abolition of customs and excise duty and any other duty, levy, or tax, which, in terms of the law or regulation, is binding on the contractor and demonstrably has an influence on the price of any supplies, or the rendering costs of any service, for the execution of the contract;
- 2.11 **"functionality"** means the measurement according to predetermined norms, as set out in the bid documents, of a service or commodity that is designed to be practical and useful, working or operating, taking into account, among other factors, the quality, reliability, viability and durability of a service and the technical capacity and ability of a bidder;
- 2.12 **"non-firm prices"** means all prices other than "firm" prices;
- 2.13 **"person"** includes reference to a juristic person;
- 2.14 **"QSE"** means any enterprise with an annual total revenue between R5 [five] million and R35 [thirty five] million as per the 2007 version of the B-BBEE Codes of Good Practice and means any enterprise with an annual total revenue of between R10 [ten] million and R50 [fifty] million as per the Revised Codes of Good Practice issued on 11 October 2013 in terms of Government Gazette No. 36928
- 2.15 **"rand value"** means the total estimated value of a contract in South African currency, calculated at the time of bid invitations, and includes all applicable taxes and excise duties;
- 2.16 **"subcontract"** means the primary contractor's assigning or leasing or making out work to, or employing another person to support such primary contractor in the execution of part of a project in terms of the contract;
- 2.17 **"total revenue"** bears the same meaning assigned to this expression in the Codes of Good Practice on Black Economic Empowerment, issued in terms of section 9(1) of the Broad-Based Black Empowerment Act and promulgated in the Government Gazette on 9 February 2007;
- 2.18 **"trust"** means the arrangement through which the property of one person is made over or bequeathed to a trustee to administer such property for the benefit of another person; and
- 2.19 **"trustee"** means any person, including the founder of a trust, to whom property is bequeathed in order for such property to be administered for the benefit of another person.

3. ADJUDICATION USING A POINT SYSTEM

- 3.1 The Bidder obtaining the highest number of total points for the evaluation criteria as enumerated in Section 2 of the RFP will be awarded the contract, unless objective criteria justifies the award to another bidder.
- 3.2 Preference points shall be calculated after prices have been brought to a comparative basis taking into account all factors of non-firm prices and all unconditional discounts.
- 3.3 Points scored will be rounded off to 2 [two] decimal places.

Respondent's Signature

Date & Company Stamp

- 3.4 In the event of equal points scored, the Bid will be awarded to the Bidder scoring the highest number of preference points for B-BBEE.
- 3.5 However, when functionality is part of the evaluation process and two or more Bids have scored equal points including equal preference points for B-BBEE, the successful Bid will be the one scoring the highest score for functionality.
- 3.6 Should two or more Bids be equal in all respect, the award shall be decided by the drawing of lots.

"PREVIEW COPY ONLY"

Respondent's Signature

Date & Company Stamp

4. POINTS AWARDED FOR B-BBEE STATUS LEVEL OF CONTRIBUTION

- 4.1 In terms of the Preferential Procurement Regulations, 2011, preference points shall be awarded to a Bidder for attaining the B-BBEE status level of contribution in accordance with the table below:

B-BBEE Status Level of Contributor	Number of Points [Maximum 10]
1	10
2	9
3	8
4	5
5	4
6	3
7	2
8	1
Non-compliant contributor	0

- 4.2 Bidders who qualify as EMEs in terms of the 2007 version of the Codes of Good Practice must submit a certificate issued by an Accounting Officer as contemplated in the CCA or a Verification Agency accredited by SANAS or a Registered Auditor. Registered auditors do not need to meet the prerequisite for IRBA's approval for the purpose of conducting verification and issuing EME's with B-BBEE Status Level Certificates.
- 4.3 Bidders who qualify as EMEs in terms of the Revised Codes of Good Practice issued on 11 October 2013 in terms of Government Gazette No. 36928 are only required to obtain a sworn affidavit on an annual basis confirming that the entity has an Annual Total Revenue of R10 million or less and the entity's Level of Black ownership.
- 4.4 In terms of the 2007 version of the Codes of Good Practice, bidders other than EMEs must submit their original and valid B-BBEE status level verification certificate or a certified copy thereof, substantiating their B-BBEE rating issued by a Registered Auditor approved by IRBA or a Verification Agency accredited by SANAS.
- 4.5 In terms of the Revised Codes of Good Practice issued on 11 October 2013 in terms of Government Gazette No. 36928, Bidders who qualify as QSEs are only required to obtain a sworn affidavit on an annual basis confirming that the entity has an Annual Total Revenue of R50 million or less and the entity's Level of Black ownership. Large enterprises must submit their original and valid B-BBEE status level verification certificate or a certified copy thereof, substantiating their B-BBEE rating issued by a Registered Auditor approved by IRBA or a Verification Agency accredited by SANAS.
- 4.6 A trust, consortium or joint venture will qualify for points for its B-BBEE status level as a legal entity, provided that the entity submits its B-BBEE status level certificate.
- 4.7 A trust, consortium or joint venture will qualify for points for their B-BBEE status level as an unincorporated entity, provided that the entity submits their consolidated B-BBEE scorecard as if they were a group structure and that such a consolidated B-BBEE scorecard is prepared for every separate bid.
- 4.8 Tertiary institutions and public entities will be required to submit their B-BBEE status level

Respondent's Signature

Date & Company Stamp

certificates in terms of the specialised scorecard contained in the B-BBEE Codes of Good Practice.

- 4.9 A person will not be awarded points for B-BBEE status level if it is indicated in the Bid documents that such a Bidder intends subcontracting more than 25% [twenty-five per cent] of the value of the contract to any other enterprise that does not qualify for at least the same number of points that such a Bidder qualifies for, unless the intended subcontractor is an EME that has the capability and ability to execute the subcontract.

- 4.10 A person awarded a contract may not subcontract more than 25% [twenty-five per cent] of the value of the contract to any other enterprise that does not have an equal or higher B-BBEE status level than the person concerned, unless the contract is subcontracted to an EME that has the capability and ability to execute the subcontract.

- 4.11 Bidders are to note that in terms of paragraph 2.6 of Statement 000 of the Revised Codes of Good Practice issued on 11 October 2013 in terms of Government Gazette No. 36928, any representation made by an entity about its B-BBEE compliance must be supported by suitable evidence or documentation. As such, Transnet reserves the right to request such evidence or documentation from Bidders in order to verify any B-BBEE recognition claimed.

5. B-BBEE STATUS AND SUBCONTRACTING

- 5.1 Bidders who claim points in respect of B-BBEE Status Level of Contribution must complete the following:

B-BBEE Status Level of Contributor _____ = _____ [maximum of 10 points]

Note: Points claimed in respect of this paragraph 5.1 must be in accordance with the table reflected in paragraph 4.1 above and must be substantiated by means of a B-BBEE certificate issued by a Verification Agency accredited by SANAS or a Registered Auditor approved by IRBA or a sworn affidavit in the case of an EME or QSE

- 5.2 **Subcontracting:**

Will any portion of the contract be subcontracted? YES/NO [delete which is not applicable]

If YES, indicate:

- (i) What percentage of the contract will be subcontracted? %
- (ii) The name of the subcontractor %
- (iii) The B-BBEE status level of the subcontractor %
- (iv) Is the subcontractor an EME? YES/NO

- 5.3 Declaration with regard to Company/Firm

- (i) Name of Company/Firm.....
- (ii) VAT registration number.....
- (iii) Company registration number.....
- (iv) Type of Company / Firm [TICK APPLICABLE BOX]

Partnership/Joint Venture/Consortium

One person business/sole propriety

Close Corporations

Respondent's Signature _____

_____ Date & Company Stamp

- Company (Pty) Ltd
- (v) Describe Principal Business Activities

.....

(vi) Company Classification [TICK APPLICABLE BOX]

- Manufacturer
- Supplier
- Professional Service Provider
- Other Service Providers, e.g Transporter, etc

(vii) Total number of years the company/firm has been in business:.....

BID DECLARATION

I/we, the undersigned, who warrants that he/she is duly authorised to do so on behalf of the company/firm, certify that points claimed, based on the B-BBEE status level of contribution indicated in paragraph 4 above, qualifies the company/firm for the preference(s) shown and I / we acknowledge that:

- (i) The information furnished is true and correct.
- (ii) In the event of a contract being awarded as a result of points claimed as shown in paragraph 6 above, the contractor may be required to furnish documentary proof to the satisfaction of Transnet that the claims are correct.
- (iii) If the B-BBEE status level of contribution has been claimed or obtained on a fraudulent basis or any of the conditions of contract have not been fulfilled, Transnet may, in addition to any other remedy it may have:
 - (a) disqualify the person from the bidding process;
 - (b) recover costs, losses or damages it has incurred or suffered as a result of that person's conduct;
 - (c) cancel the contract and claim any damages which it has suffered as a result of having to make less favourable arrangements due to such cancellation;
 - (d) restrict the Bidder or contractor, its shareholders and directors, and/or associated entities, or only the shareholders and directors who acted in a fraudulent manner, from obtaining business from Transnet for a period not exceeding 10 years, after the *audi alteram partem* [hear the other side] rule has been applied; and/or
 - (e) forward the matter for criminal prosecution.

WITNESSES:

1.
2.

SIGNATURE OF BIDDER

DATE:.....

COMPANY NAME:

ADDRESS:.....

Respondent's Signature

Date & Company Stamp

ANNEXURE B - TECHNICAL SUBMISSION

1. TECHNICAL SCORING SCALE

Quality criteria	Sub-criteria
Adherence to specification	<ul style="list-style-type: none">• Written proof to be submitted on the compliance of the specification of the goods
Delivery Lead time	<ul style="list-style-type: none">• Number of days lead time for each item in the Section 2 : QUOTATION FORM

"PREVIEW COPY ONLY"

Respondent's Signature

Date & Company Stamp

2. TECHNICAL QUESTIONNAIRE

ITEM	DESCRIPTION OF EQUIPMENT	QUANTITIES REQUIRED	LEAD-TIME FOR QUANTITIES REQUIRED
1	11kV Vandal proof post top transmission line insulator; F-neck type: To include M20x155mm full thread spindle Nut and flat washer: Galvanising as per specification SANS 121. As per Drg. BBC8439	50	
2	25kV AC Tension type insulator; Material Silicon rubber; Creepage path 1476mm; Vandal proof (Composite) Square Tongue and Round Clevis; End caps galvanised as per SANS 121; As per Drg. BBB0281 Rev 4	700	
3	25kV AC compression type insulator; Square tongue and pipe fitting as per Drg. BBB0430 Rev. 3; Creepage path 1476mm; As per Drg. BBB0429 Rev 4	850	
4	25kV AC compression type; Square tongue and clevis as per Drg. BBB430 Rev 3; Creepage path 1476mm: As per Drg. BBB0429 REV 4	50	
5	3kV Strain type insulator; Vandal proof; Creepage path 400mm; Square tongue and round clevis and caps; As per Drg no-BBB0589	40	
6	25kV AC post type insulator stand-off; Vandal proof; Station post as per Drg no-BBC8438	40	

3. TECHNICAL QUESTIONNAIRE

No	Item	Yes Tick (Submit written Proof)	No Tick
Adherence to specification	<ul style="list-style-type: none"> Does your company comply with the following: SANS 121: Hot dip galvanized coating on fabricated iron and steel articles- Specifications and testing. SANS 61109: Insulators for overhead line- Composite suspension and tension insulators for a.c. systems voltage greater than 1000V-Defination, test methods and acceptance criteria. 		

Respondent's Signature

Date & Company Stamp

ANNEXURE C: SPECIFICATION OF GOODS**SUPPLY AND DELIVERY OF COMPOSITE INSULATORS****1. SCOPE**

Tenders are invited for the supply and delivery of composite insulators for Transnet Freight Rail (RME) 25KV AC and 3KV DC overhead track equipment and 11KV distribution line.

2. SPECIFICATIONS

The following specifications form part of this tender:

- (a) SANS 121: Hot dip galvanized coating on fabricated iron and steel articles-Specifications and testing.
- (b) SANS 61109: Insulators for overhead line-Composite suspension and tension insulators for a.c. systems voltage greater than 1000V-Defination, test methods and acceptance criteria.

3. DRAWINGS REFERENCE

- 3.1 11KV Vandal proof post top transmission line insulator; F-neck type: To include M20x155mm full thread sprindlen; Nut and flat washer; Galvanising as per specification SANS 121. As per Drg. BBC8439, attached to specification of goods.
- 3.2 25KV AC Tension type insulator; Material Silicon rubber; Creepage path 1476mm; Vandal proof (Composite) Square Tongue and Round Clevis; End caps galvanised as per SANS 121; As per Drg. BBB0281 Rev 4, attached to specification of goods.
- 3.3 25KV AC compression type insulator; Square tongue and pipe fitting as per Drg. BBB0430 Rev. 3; Creepage path 1476mm; As per Drg. BBB0429 Rev 4, attached to specification of goods.
- 3.4 25KV AC compression type; Square tongue and clevis as per Drg. BBB430 Rev 3; Creepage path 1476mm: As per Drg. BBB0429 REV 4, attached to specification of goods.

Respondent's Signature

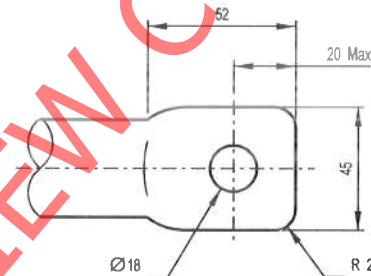
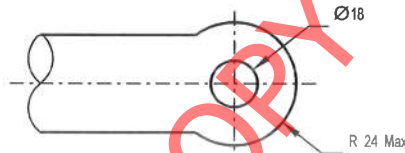
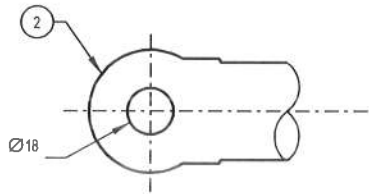
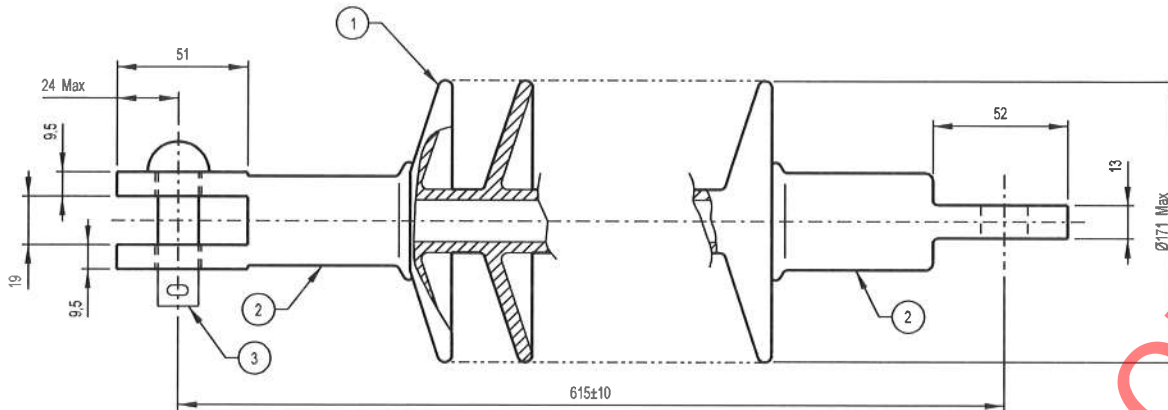
Date & Company Stamp

- 3.5 3kV Strain type insulator; Vandal proof; Creepage path 400mm; Square tongue and round clevis and caps; As per Drg no-BBB0589, attached to specification of goods.
- 3.6 25kv AC post type insulator standoff; Vandal proof; Station post as per Drg no-BBC8438, attached to specification of goods.

"PREVIEW COPY ONLY"

Respondent's Signature

Date & Company Stamp



DESIGN INFORMATION

Minimum tensile breaking load	60kN
Minimum creepage path	1 476mm
Minimum arcing distance	420mm
Lightning impulse withstand voltage	250kV
Withstand alternating voltage under rain	95kV

TABLE A

END CAP CONFIGURATION	STORES ITEM NO
Round clevis / Round tongue	54/032476
Round clevis / Square tongue	54/032488
Square tongue / Square tongue	54/032605

NOTES:

1. This insulator to be used for all applications in high risk areas (e.g. suspension, registration and make-off). Not to be used on compression arrangements i.e. PPO arrangements on curved tracks).
2. Insulator to be tested in accordance with IEC 1109 Standard for composite insulators.
3. Vandal proof properties of insulator to be equal or better than the "Rodurflex" traction insulators.
4. This is a typical drg only (detail shed and end fittings design to suit application).

3	Clevis pin with locking split pin. ø16	1	54/4020	CEE-TX-66
2	End fittings: Corrosion resistant e.g. Al alloy, bronze or galv steel or holes with galv steel or stainless steel inserts	As required	-	-
1	Insulator: Ultra violet resistant, water repellent, synthetic rubber insulation e.g. silicon rubber	As required	-	-
ITEM NO	DESCRIPTION	QTY	STORES ITEM NO	DRAWING NO

© COPYRIGHT PROTECTED. PREPARED BY CENTRAL DRAWING OFFICE

DIMENSIONS : mm SCALE : NTS
 TOLERANCE : LIN± 1 ANG± - ITEM NO : See table A
 MATERIAL : -
 VERSION INFO : DISTANCE OF CREEPAGE PATH WAS 1 190mm.

Digitally signed by
 Willem Mans
 Date: 2009.09.08
 14:03:04 +02'00'
 APPROVED

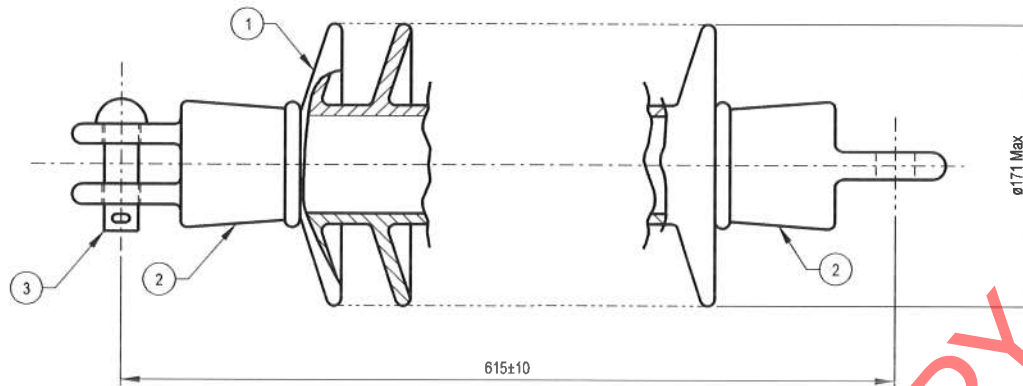
Digitally signed by
 Ludwig Borchard
 Date: 2009.09.23
 11:07:03 +02'00'
 AUTHORISED

VANDAL PROOF TENSION INSULATOR (COMPOSITE)
 25kV AC; TONGUE AND CLEVIS



BBB0281
 VERSION 4

A3



DESIGN INFORMATION	
Minimum tensile breaking load	22.24kN
Minimum tensile working load	8.89kN
Compression load	23.5kN
Minimum bending load	2kNm
Minimum creepage path	1 476mm
Minimum arcing distance	420mm (Min)
Lightning impulse withstand voltage	250kV
Withstand alternating voltage under rain	95kV

NOTES:

1. This insulator to be used for all applications in high risk areas (e.g. PPO arrangements on curved tracks).
2. Insulator to be tested in accordance with IEC 1109 Standard for composite insulators.
3. Vandal proof properties of insulator to be equal or better than the "Rodurflex" traction insulators.
4. This is a typical drg only (detail shed and end fittings design to suit application).

TABLE A (SEE DRG NO BBB0430)	
END CAP CONFIGURATION	STORES ITEM NO
Round tongue / Pipe fitting	54/032516
Square tongue / Pipe fitting	54/032528
Square tongue / Clevis	54/032541
Clevis / Pipe fitting	54/032553
Square tongue / Square tongue	54/032617

ITEM NO	DESCRIPTION	QTY	STORES ITEM NO	DRAWING NO
3	Clevis pin with locking split pin, $\phi 16$	1	54/004020	CEE-TX-66
2	End fittings: Corrosion resistant e.g. Al alloy, bronze or galv steel or holes with galv steel or stainless steel inserts (See table A)	As required	-	BBB0430
1	Insulator: Ultra violet resistant, water repellent, synthetic rubber insulation e.g. silicon rubber	As required	-	-

© COPYRIGHT PROTECTED. PREPARED BY CENTRAL DRAWING OFFICE

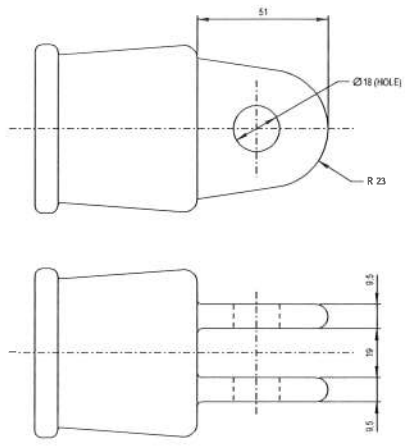
DIMENSIONS : mm SCALE : NTS
 TOLERANCE : LIN± 1 ANG± - ITEM NO : See table A
 MATERIAL : -
 VERSION INFO : REDRAWN AND REVISED
 MINIMUM CREEPAGE PATH RATIONALISED

Digitally signed by
 Willem Mans
 Date: 2009.06.25
 10:27:34 +02'00'
 APPROVED

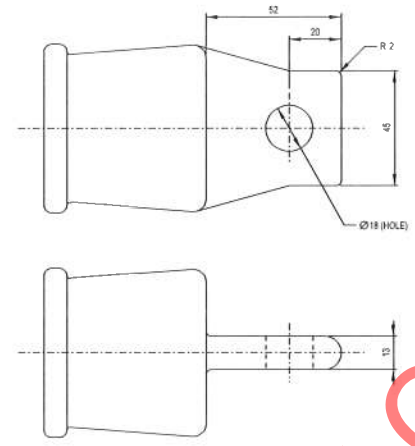
Digitally signed by
 Ludwig Borchard
 Date: 2009.06.29
 10:08:39 +02'00'
 AUTHORISED

VANDAL PROOF COMPRESSION INSULATOR (COMPOSITE)
 25kV AC

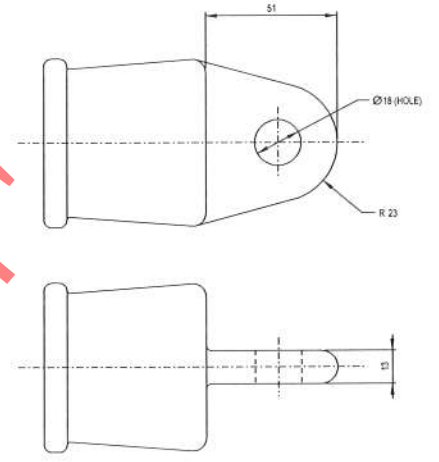
TRANSNET
 freight rail
 BBB0429
 VERSION 4



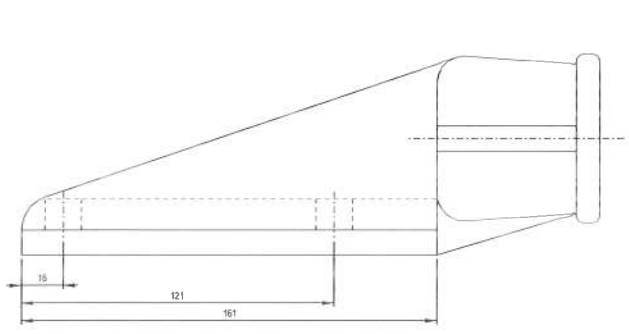
CLEVIS



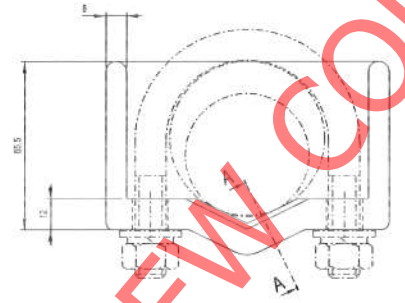
SQUARE TONGUE



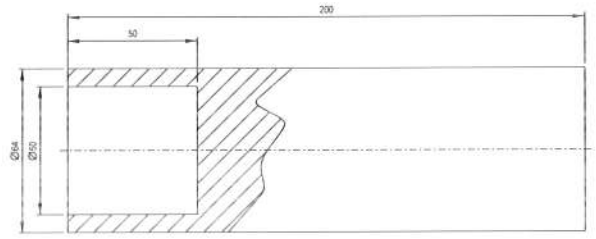
ROUND TONGUE



PIPE FITTING



SECTION A-A



TUBE FITTING

- NOTES
- Internal and external dimensions of cap to suit insulator requirements and to be left to the manufacturer.
 - The following permanent markings must appear on these articles:
 - Tramnet
 - Maker's identification
 - Batch number
 - Finish: Hot dip galvanize to Spec. SANS 936 grade SG 50
 - For use with composite compression insulator. See Dwg no BBB0429 & BBB0590

© COPYRIGHT PROTECTED. PREPARED BY CENTRAL DRAWING OFFICE

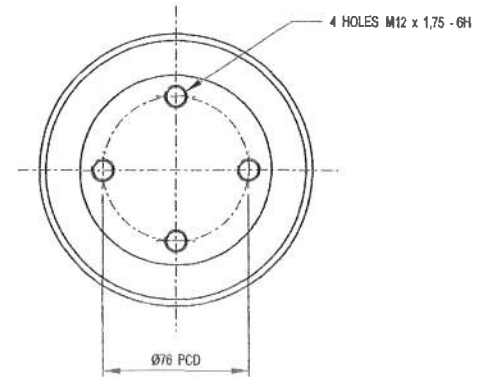
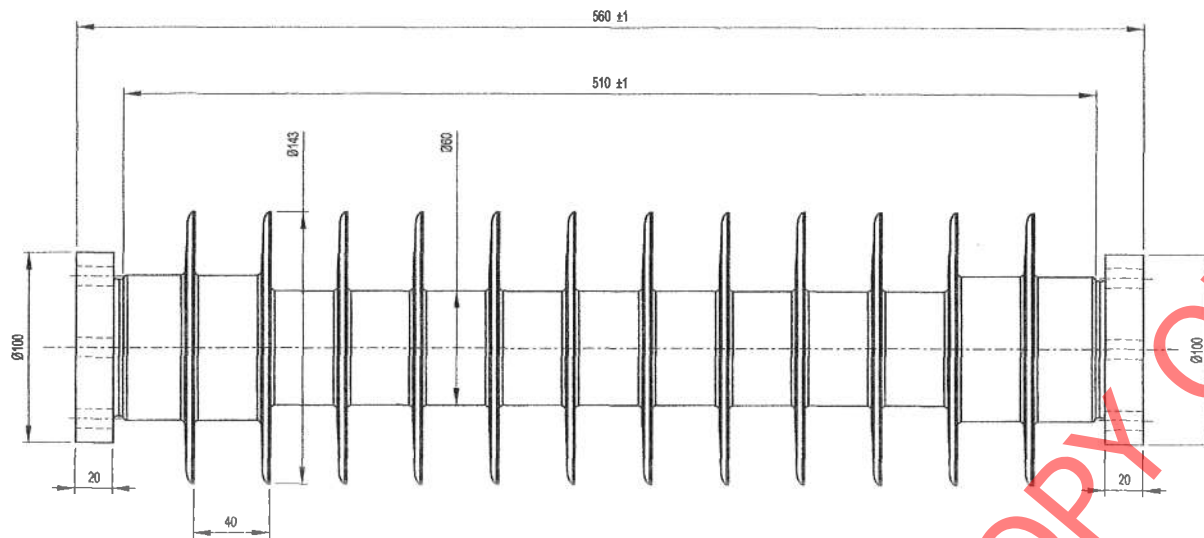
DIMENSIONS	mm	SCALE	1:1
TOLERANCE	LN ± 1 ANG ±	ITEM NO	-
MATERIAL	Spheroidal graphite iron to Spec. SANS 936 grade SG 50		
VERSION INFO	Revised: tube fitting detail added		

DO REF	CCD/5980
ECP REF	BB0794
DRAWN	D.A. Ballabio
DESIGNED	-
CHECKED	J.D. van Dyk

Digitally signed by Willem Mans	Date: 2009.04.06 11:24:11 +02'00'
APPROVED	
Digitally signed by Ludwig Berchard	Date: 2009.04.06 13:49:30 +02'00'
AUTHORISED	

CLEVIS, TONGUE AND PIPE END FITTINGS FOR COMPOSITE VANDAL PROOF COMPRESSION INSULATORS
3KV DC AND 25KV AC





Technical Data

One minute power frequency withstand voltage, 50Hz, wet	=	190kV
Lightning impulse withstand voltage, 1,2/50, pos.	=	360kV
Arcing distance	=	545mm
Minimum creepage distance	=	1 398mm
Number of sheds	=	12
Material of fittings	=	Steel, Hot Dip Galvanized to SANS 121
Weight (approx.)	=	6.0kg

"PREVIEW COPY ONLY"

© COPYRIGHT PROTECTED. PREPARED BY CENTRAL DRAWING OFFICE

DIMENSIONS : mm	SCALE : 1 : 2	DO REF : CDO/5914
TOLERANCE : LIN ± 0,5 ANG ± -	ITEM NO : 54/033987	CP REF : -
MATERIAL :		DRAWN : A KRUGER
VERSION INFO :		DESIGNED : W MANS
		CHECKED : J VAN DYK

DATE: 25/04/2008

APPROVED

 AUTHORISED

25kV AC VANDAL PROOF POST INSULATOR.
FOR TRACK AND SIDING SWITCHES AND UNDER BRIDGES.

TRANSNET
 freight rail
BBC8438
 VERSION 1



**ANNEXURE D - PRICE ADJUSTMENT FOR INFLATION
PRICE ADJUSTMENT FOR INFLATION**

The proposed price adjustment indices are as follows.

Prices will be fixed for the duration of twelve (12) months from date of award of contract, thereafter adjusted as per below.

The proportions used to calculate the Price Adjustment Factor are:

Proportion	Index prepared by: SEIFSA linked to index for:
.....	"L" is the "Labour Index" and shall be the "Consumer Price Index" for the urban area as published by SEIFSA, Table 2, CPS40000.
.....	"M" is the "Materials Index" and shall be "Table P: Seifsa index of plant and machinery cost before installation.
.....	"F" is the "Fuel Index" and shall be Table L1: SEIFSA index of road freight costs: Fuel as sourced from Department of Minerals and Energy.
.....	non-adjustable
1.00	Total sum equal to 1.00

"PREVIEW COPY"

Respondent's Signature

Date & Company Stamp