



Transnet Freight Rail, a division of

TRANSNET SOC LTD

Registration Number 1990/000900/30

[hereinafter referred to as **Transnet**]

REQUEST FOR QUOTATION [RFQ] NO. TME SPT 092/2014

FOR THE SUPPLY AND DELIVERY OF SWITCH FITTINGS

FOR DELIVERY TO: BELLVILLE SQUARE STORES, CAPE TOWN

ISSUE DATE: 15 MAY 2014

CLOSING DATE: 27 MAY 2014

CLOSING TIME: 10:00

"PREVIEW COPY ONLY"

Section 1 NOTICE TO BIDDERS

Quotations which must be completed as indicated in Section 2 of this RFQ are to be submitted as follows:

METHOD: Post; Courier, and Hand Delivery
CLOSING VENUE: SEE BELOW FOR CLOSING VENUE

1 Responses to RFQ

Responses to this RFQ [**Quotations**] must not include documents or reference relating to any other quotation or proposal. Any additional conditions must be embodied in an accompanying letter. Proposals must reach the Secretariat, Acquisition Council before the closing hour on the date shown below, and must be enclosed in a sealed envelope which must have inscribed on the outside:

RFQ No: RME CPT 092/2014
Description: SUPPLY AND DELIVERY OF SWITCH FITTINGS

Closing date and time: 27 MAY 2014 AT 15:00 Sharp

Closing address [Refer to options in Delivery Instructions for RFQ below]

All envelopes must reflect the return address of the respondent on the reverse side.

1 DELIVERY INSTRUCTIONS FOR RFQ

1.1 Delivery by hand

If delivered by hand, the envelope is to be deposited in the Transnet Freight Rail (RME) Tender box which is located at the main entrance of Transnet Park, Robert Sobukwe Road, Bellville, and should be addressed as follows:

THE SECRETARIAT
 ACQUISITION COUNCIL
 TRANSNET PARK
 RME TENDER BOX 2
 ROBERT SOBUKWE ROAD
 BELLVILLE 7535

The measurements of the "tender slot" are 400mm wide x 100mm high, and Respondents must please ensure that response documents or files are no larger than the above dimensions. Responses which are too bulky [i.e. more than 100mm thick] must be split into two or more files, and placed in separate envelopes, each such envelope to be addressed as above.

1.2 Dispatch by courier

If dispatched by courier, the envelope must be addressed as follows and delivered to the Office of The Secretariat, Acquisition Council and a signature obtained from that Office:

THE SECRETARIAT
TRANSNET ACQUISITION COUNCIL
6TH FLOOR
TRANSNET PARK
ROBERT SOBUKWE ROAD
BELLVILLE 7535

Please note that this RFQ closes punctually at **10:00 on Tuesday 27 May 2014**.

1. If responses are not delivered as stipulated herein, such responses will not be considered and will be treated as "NON-RESPONSIVE" and will be disqualified.
2. No email or facsimile responses will be considered, unless otherwise stated herein.
3. The responses to this RFQ will be opened as soon as practicable after the expiry of the time advertised for receiving them.
4. Transnet shall not, at the opening of responses, disclose to any other company any confidential details pertaining to the Proposals / information received, i.e. pricing, delivery, etc. The names and locations of the Respondents will be divulged to other Respondents upon request.
5. Envelopes must not contain documents relating to any RFQ other than that shown on the envelope.

2 Broad-Based Black Economic Empowerment [B-BBEE]

Transnet fully endorses and supports the Government's Broad-Based Black Economic Empowerment Programme and it would therefore prefer to do business with local business enterprises who share these same values. Transnet will accordingly allow a "preference" to companies who provide a valid B-BBEE Verification Certificate. All procurement transactions will be evaluated accordingly.

2.1 B-BBEE Scorecard and Rating

As prescribed in terms of the Preferential Procurement Policy Framework Act (PPPFA), Act 5 of 2000 and its Regulations, Respondents are to note that the following preference point systems are applicable to all bids:

- the 80/20 system for requirements with a Rand value of up to R1 000 000 (all applicable taxes included); and
- the 90/10 system for requirements with a Rand value above R1 000 000 (all applicable taxes included).
- Bidders are to note that if the 80/20 preference point system is stipulated in this RFQ and all Bids received exceed R1 000 000.00, the RFQ must be cancelled. Similarly, if the 90/10 preference point system is stipulated in this RFQ and all Bids received are equal to or below R1 000 000.00, the RFQ must be cancelled.

The value of this bid is estimated to exceed R1 000 000.00 and therefore the **90/10** system shall be applicable. When Transnet invites prospective suppliers to submit Proposals for its various expenditure programmes, it requires Respondents to have their B-BBEE status verified in compliance with the Codes of Good Practice issued in terms of the Broad Based Black Economic Empowerment Act No. 53 of 2003.

The Department of Trade and Industry recently revised the Codes of Good Practice on 11 October 2013 [Government Gazette No. 36928]. The Revised Codes will replace the Black Economic Empowerment Codes of Good Practice issued on 9 February 2007. The Revised Codes provide for a one year transitional period starting 11 October 2013. During the transitional period, companies may elect to be measured in terms of the Revised Codes or the 2007 version of the Codes. After the first year of the implementation of the Revised Codes, B-BBEE compliance will be measured in terms of the Revised Codes without any discretion. Companies which are governed by Sector-specific Codes will be measured in terms of those Sector Codes.

As such, Transnet will accept B-BBEE certificates issued based on the Revised Codes. Transnet will also continue to accept B-BBEE certificates issued in terms of the 2007 version of the Codes provided it was issued before 10 October 2014. Thereafter, Transnet will only accept B-BBEE certificates issued based on the Revised Codes.

Note: Failure to submit a valid and original B-BBEE certificate or a certified copy thereof at the Closing Date of this RFQ will result in a score of zero being allocated for B-BBEE.

[Refer clause 19 below for Returnable Documents required]

3 Communication

Respondents are warned that a response will be liable for disqualification should any attempt be made by a Respondent either directly or indirectly to canvass any officer(s) or employee of Transnet in respect of this RFQ between the closing date and the date of the award of the business.

A Respondent may, however, before the closing date and time, direct any written enquiries relating to the RFQ to the following Transnet employee:

Name: Jeff Niemand Email: jeff.niemand@transnet.net
Telephone: 083 455 6385

Respondents may also, at any time before or after the closing date of the RFQ, communicate with the following Transnet Employee on any administrative matters relating to its RFQ response:

Name: Thabisile Ndlovu
Telephone: 021 940 1840 Email: thabisile.ndlovu@transnet.net

4 Tax Clearance

The Respondent's original and valid Tax Clearance Certificate must accompany the Quotation. Note that no business shall be awarded to any Respondent whose tax matters have not been declared by SARS to be in order.

5 VAT Registration

The valid VAT registration number must be stated here: _____ [if applicable].

6 Legal Compliance

The successful Respondent shall be in full and complete compliance with any and all applicable national and local laws and regulations.

7 Changes to Quotations

Changes by the Respondent to its submission will not be considered after the closing date and time.

8 Pricing

All prices must be quoted in South African Rand on a fixed price basis, excluding VAT.

9 Prices Subject to Confirmation

Prices quoted which are subject to confirmation will not be considered.

10 Negotiations

Transnet reserves the right to undertake post-tender negotiations with selected Respondents or any number of shortlisted Respondents.

11 Binding Offer

Any Quotation furnished pursuant to this Request shall be deemed to be an offer. Any exceptions to this statement must be clearly and specifically indicated.

12 Disclaimers

Transnet is not committed to any course of action as a result of its issuance of this RFQ and/or its receipt of a Quotation in response to it. Please note that Transnet reserves the right to:

- modify the RFQ's goods / service(s) and request Respondents to re-bid on any changes;
- reject any Quotation which does not conform to instructions and specifications which are detailed herein;
- disqualify Quotations submitted after the stated submission deadline;
- not necessarily accept the lowest priced Quotation;
- reject all Quotations, if it so decides;
- place an order in connection with this Quotation at any time after the RFQ's closing date;
- award only a portion of the proposed goods / service/s which are reflected in the scope of this RFQ;
- split the award of the order/s between more than one Supplier/Service Provider; or
- make no award at all.

Transnet reserves the right to award business to the highest scoring bidder/s unless objective criteria justify the award to another bidder.

13 Transnet's supplier integrity pact

Transnet's Integrity Pact requires a commitment from suppliers and Transnet that they will not engage in any corrupt and fraudulent practices, anti-competitive practices; and act in bad faith towards each other.

The Integrity Pact also serves to communicate Transnet’s Gift Policy as well as the remedies available to Transnet where a Respondent contravenes any provision of the Integrity Pact.

Respondents are required to familiarise themselves with the contents of the Integrity Pact which is available on the Transnet Internet site [www.transnet.net/Tenders/Pages/default.aspx] or on request. Furthermore, Respondents are required to certify that they have acquainted themselves with all the documentation comprising the Transnet Integrity Pact and that they fully comply with all the terms and conditions stipulated in the Transnet Supplier Integrity Pact as follows:

YES		NO	
------------	--	-----------	--

Should a Respondent need to declare previous transgressions or a serious breach of law in the preceding 5 years as required by Annexure A to the Integrity Pact, such declaration must accompany the Respondent’s bid submission.

14 Evaluation Criteria

Transnet will utilise the following criteria [not necessarily in this order] in choosing a Supplier/Service Provider, if so required:

Criterion/Criteria	Explanation
Administrative responsiveness	Completeness of response and returnable documents
Substantive responsiveness	Prequalification criteria, if any, must be met and whether the Bid materially complies with the specification given.
Final weighted evaluation based on 90/10 preference point system as indicated in paragraph 2	<ul style="list-style-type: none"> • Pricing and price basis [firm] - whilst not the sole factor for consideration, competitive pricing and overall level of unconditional discounts¹ will be critical • B-BBEE status of company - Preference points will be awarded to a bidder for attaining the B-BBEE status level of contribution in accordance with the table indicated below.

¹ Only unconditional discounts will be taken into account during evaluation. A discount which has been offered conditionally will, despite not being taken into account for evaluation purposes, be implemented when payment is effected.

Preference points will be awarded to a bidder for attaining the B-BBEE status level of contribution in accordance with the table below:

B-BBEE Status Level of Contributor	Number of points (90/10 system)
1	10
2	9
3	8
4	5
5	4
6	3
7	2
8	1
Non-compliant contributor	0

15 Validity Period

Transnet desires a validity period of 30 [thirty] days from the closing date of this RFQ.
 This RFQ is valid until _____.

16 Banking Details

BANK: _____
 BRANCH NAME / CODE: _____
 ACCOUNT HOLDER: _____
 ACCOUNT NUMBER: _____

17 Company Registration

Registration number of company / C.C. _____
 Registered name of company / C.C. _____

18 Disclosure of Prices Quoted

Respondents must indicate here whether Transnet may disclose their quoted prices and conditions to other Respondents:

YES NO

19 Returnable Documents

Returnable Documents means all the documents, Sections and Annexures, as listed in the tables below.

- a) Respondents are required to submit with their Quotations the **mandatory Returnable Documents**, as detailed below.

Failure to provide all these Returnable Documents at the Closing Date and time of this RFQ will result in a Respondent's disqualification. Respondents are therefore urged to ensure that all these Documents are returned with their Quotations.

All Sections, as indicated in the footer of each page, must be signed, stamped and dated by the Respondent. Please confirm submission of these mandatory Returnable Documents by so indicating [Yes or No] in the table below:

Mandatory Returnable Documents	Submitted [Yes or No]
SECTION 2 : Quotation Form	

b) In addition to the requirements of section (a) above, Respondents are further required to submit with their Quotations the following **essential Returnable Documents** as detailed below.

Failure to provide all these Returnable Documents may result in a Respondent's disqualification. Respondents are therefore urged to ensure that all these documents are returned with their Quotations.

All Sections, as indicated in the footer of each page, must be signed, stamped and dated by the Respondent. Please confirm submission of these essential Returnable Documents by so indicating [Yes or No] in the table below:

Essential Returnable Documents	Submitted [Yes or No]
SECTION 1 : Notice to Bidders	
- Valid and original B-BBEE Verification Certificate or certified copy thereof [Large Enterprises and QSEs] Note: failure to provide a valid B-BBEE Verification Certificate at the closing date and time of the RFQ will result in an automatic score of zero for preference	
- Valid and original B-BBEE certificate/sworn affidavit or certified copy thereof from auditor, accounting officer or SANAS accredited Verification Agency [EMEs] Note: failure to provide a valid B-BBEE Verification Certificate at the closing date and time of the RFQ will result in an automatic score of zero being allocated for preference	
- In the case of Joint Ventures, a copy of the Joint Venture Agreement or written confirmation of the intention to enter into a Joint Venture Agreement	
- Original valid Tax Clearance Certificate [Consortia / Joint Ventures must submit a separate Tax Clearance Certificate for each party]	
- SECTION 3 : Standard Terms and Conditions of Contract for the Supply of Goods or Services to Transnet	
SECTION 4 : Vendor Application Form	
- Original cancelled cheque or bank verification of banking details	
- Certified copies of IDs of shareholder/directors/members [as applicable]	
- Certified copies of the relevant company registration documents from Companies and Intellectual Property Commission (CIPC)	

Essential Returnable Documents	Submitted [Yes or No]
- Certified copies of the company's shareholding/director's portfolio	
- Entity's letterhead	
- Certified copy of VAT Registration Certificate [RSA entities only]	
- Certified copy of valid Company Registration Certificate [if applicable]	
- A signed letter from Respondent's auditor or accountant confirming most recent annual turnover figures	
- Financial Statements signed by your Accounting Officer or Audited Financial Statements for previous 3 years	

"PREVIEW COPY ONLY"

Respondent's Signature

Date & Company Stamp

Section 2 QUOTATION FORM

I/We _____
hereby offer to supply the goods/services at the prices quoted in the Price Schedule below, in accordance with the conditions related thereto.

I/We agree to be bound by those terms and conditions in:

- the Standard Terms and Conditions for the Supply of Goods or Services to Transnet [Section 3 hereof]; and
- any other standard or special conditions mentioned and/or embodied in this Request for Quotation.

I/We accept that unless Transnet should otherwise decide and so inform me/us, this Quotation [and, if any, its covering letter and any subsequent exchange of correspondence], together with Transnet's acceptance thereof shall constitute a binding contract between Transnet and me/us.

I/We further agree that if, after I/we have been notified of the acceptance of my/our Quotation, I/we fail to deliver the said goods/service/s within the delivery lead-time quoted, Transnet may, without prejudice to any other legal remedy which it may have, cancel the order and recover from me/us any expenses incurred by Transnet in calling for Quotation and/or having to accept any less favourable offer.

Price Schedule

I/We quote as follows for the Supply and Delivery of Switch Fittings, at Transnet Freight Rail RME, Bellville Square, Cape Town, price excluding VAT:

REFER TO THE DRAWINGS ATTACHED (ANNEXURE A)

Item No	Description of Goods /Services	Quantity	Unit Measure	Unit Price (ZAR)	Total Price (ZAR)
1.	Track switch 25KV AC Mounted on Concrete Bases complete with Handle Rods and all Steelwork to TMG-136	27	EACH		
2.	Adaptor plate copper tinned tp drg. CEE- TLC-51	27	EACH		
3.	Standoff insulator 25KV clevis/tongue silicon TN-161	54	EACH		
4.	Section Insulator Number Board TNC-14	20	EACH		
5.	Switch Sign closed/open Section Switch CEE-TWN-5	54	EACH		
6.	Clamp Bimetallic CU-NI-SI 160/160mm	400	EACH		
7.	Clamp feeder CU-NI-SI 107/160 CEE -TNB-0080	400	EACH		

Respondent's Signature

Date & Company Stamp

8.	Clamp Parallel CU-NI-SI 160/160 CEE-TNB-0055	400	EACH		
9.	Lug crimp 160mmxM12 hole copper CEE-TNB-58	300	EACH		
10.	Operating Handle Mounting Assembly CEE-TMFB-69	27	EACH		
11.	Clamping Bracket Track Switch Handle TMFB-55	54	EACH		
12.	Handle Switch CEE-TLB-36	27	EACH		

NB: Inspection will be done by TFR Material inspector prior to delivery

Delivery Lead-Time from date of purchase order: _____ **[days/weeks]**

Notes to Pricing:

- a) All Prices must be quoted in South African Rand, exclusive of VAT
- b) To facilitate like-for-like comparison bidders must submit pricing strictly in accordance with this price schedule and not utilise a different format. Deviation from this pricing schedule could result in a bid being disqualified.
- c) Please note that should you have offered a discounted price(s), Transnet will only consider such price discount(s) in the final evaluation stage if offered on an unconditional basis.

Respondent's Signature

Date & Company Stamp

Section 3

STANDARD TERMS AND CONDITIONS FOR THE SUPPLY OF GOODS OR SERVICES TO TRANSNET

A Supplier/Service Provider shall be obliged to adhere to the Standard Terms and Conditions for the Supply of Goods and Services to Transnet as expressed hereunder. Should the Respondent find any condition(s) unacceptable, it should indicate which condition(s) is/are unacceptable and offer an alternative(s). A Quotation submitted by a Respondent will be subjected to review and acceptance or rejection of its proposed contractual terms and conditions by Transnet's Legal Counsel, prior to consideration for an award of business.

1 SOLE AGREEMENT

Unless otherwise agreed in writing, these terms [Terms and each Term] and Transnet's purchase order(s) [Order or Orders] represent the only conditions upon which Transnet SOC Ltd [Transnet] procures goods [the Goods] or services [the Services] specified in the Order from the person to whom the Order is addressed [the Supplier/Service Provider]. Transnet does not accept any other conditions which the Supplier/Service Provider may specify, unless otherwise agreed to by Transnet in writing. In the event of any inconsistency between these Terms and any Order, these Terms shall take precedence.

2 CONFORMITY WITH ORDER

Goods/Services shall conform strictly with the Order. The Supplier/Service Provider shall not vary the quantities specified and/or the specifications, if any, stipulated in the Order, without the prior written consent of Transnet. The Supplier/Service Provider warrants that the Goods/Services shall be fit for their purpose and of satisfactory quality.

3 DELIVERY AND TITLE

- 3.1 The delivery dates and addresses are those in the Order. Time shall be of the essence in respect of the Supplier/Service Provider's obligations under the Order.
- 3.2 The Supplier/Service Provider will not be excused for delay in delivery or performance except due to circumstances outside its control and then only subject to the Supplier/Service Provider having notified Transnet in writing on becoming aware of such circumstances. Transnet may terminate an Order, in whole or in part, without incurring any liability to the Supplier/Service Provider if such a delay becomes, in Transnet's absolute opinion, significant.
- 3.3 Risk of loss or damage to Goods shall pass to Transnet on delivery, and title shall pass to Transnet when payment to the Supplier for the Goods has been effected.
- 3.4 If on delivery, the Goods/Services do not conform to the Order, Transnet may reject the Goods/Services and the Supplier/Service Provider shall promptly rectify any defects or in Transnet's opinion, supply appropriate replacement Goods/Services at the Supplier's/Service Provider's expense within the specified delivery times, without any liability due by Transnet. Goods shall be subject to such testing and/or inspection as Transnet may consider necessary.

4 PRICE AND PAYMENT

- 4.1 Prices specified in an Order cannot be increased. Payment for the Goods/Services shall be made by Transnet against an original undisputed invoice(s) [a Tax Invoice], supporting documentation and month-end statement from the Supplier/Service Provider. Tax Invoices plus supporting documentation shall be posted to the address shown in the Order.
- 4.2 Payment of the Supplier's/Service Provider's valid Tax Invoice(s) will be made by Transnet in the South African currency and on the terms stated in the Order, the standard payment terms being 30 [thirty] days from date of receipt by Transnet of a month-end statement, unless otherwise agreed to in writing. Transnet shall arrange for payment of such Tax Invoices and any pre-authorised additional expenses incurred, provided that the authorised expenses are supported by acceptable documentary proof of expenditure incurred [where this is available]. Any amounts due in terms of these Terms shall be paid to the Supplier/Service Provider, taking into account any deduction or set-off and bank charges.

5 PROPRIETARY RIGHTS LIABILITY

If any allegations should be made or any claim asserted against Transnet that ownership of, or any act or omission by Transnet in relation to Goods/Services or any written material provided to Transnet relating to any Goods/Services or pursuant to an Order being a violation or infringement of any third party's contractual, industrial, commercial or intellectual property rights including but not limited to any patent, registered design, design right, trade mark, copyright or service mark on any application thereof, the Supplier/Service Provider hereby indemnifies Transnet against and hold it harmless from any and all losses, liabilities, costs, claims, damages and expenses [including any legal fees] arising directly or indirectly from such allegation or claim provided that this indemnity shall not apply where the allegation or claim arises solely as a result of the Supplier/Service Provider following a design or process originated and furnished by Transnet. The Supplier/Service Provider shall either

- a) Procure for Transnet the right to continue using the infringing Goods; or
- b) Modify or replace the Goods/Services so that they become non-infringing,

provided that in both cases the Goods/Services shall continue to meet Transnet's requirements and any specifications stipulated in the Order. Should neither option be possible, the Supplier/Service Provider may remove, with Transnet's prior written consent, such Goods/Services and will pay to Transnet a sum equivalent to the purchase price. If Transnet refuses to give such consent, the Supplier/Service Provider shall have no liability in respect of any continued use of the infringing Goods/Services after Supplier's/Service Provider's prior written request to remove the same.

6 PROPRIETARY INFORMATION

All information which Transnet has divulged or may divulge to the Supplier/Service Provider and any information relating to Transnet's business which may have come into the Supplier's/Service Provider's possession whilst carrying out an Order, and the existence of the Order, shall be treated by the Supplier/Service Provider as confidential information and shall not, without Transnet's prior written consent, be disclosed to any third party, or be used or copied for any purposes other than to perform the Order. This clause does not apply to information which is public knowledge or available from other sources other than by breach of this Term. Upon request by Transnet, the Supplier/Service Provider shall return all

materials issued pursuant to the Order and, pending this, shall protect Transnet's rights in any such materials. Such confidential information shall at all material times be the property of Transnet.

7 DEVELOPMENT WORK IN THE PRODUCTION OF GOODS

If the production or provision of any Goods involves research and/or development which are wholly or partly funded by Transnet, then all intellectual property or other rights as a result thereof shall be the property of Transnet on creation.

8 PUBLICITY

The Supplier/Service Provider shall not name Transnet or use its trademarks, service marks [whether registered or not] or Goods in connection with any publicity without Transnet's prior written consent.

9 AFTER SALES SERVICE

The Supplier shall provide replacement parts necessary to ensure the uninterrupted operation of the Goods supplied for the duration of the warranty period, from delivery of any particular item of the Goods and if requested by Transnet shall make these parts available to a third party maintainer of Transnet's choice at the same price as if the parts had been supplied to Transnet. The Supplier undertakes to provide a maintenance service for Goods, should Transnet so request, on terms to be agreed. If the Order so indicates, the Supplier will provide a warranty service for the Goods at a level to be agreed with Transnet.

10 TERMINATION OF ORDER

10.1 Transnet may cancel an Order in whole or in part at any time upon at least 7 [seven] days' written notice to the Supplier/Service Provider, or when there is a change in control of the Supplier/Service Provider or the Supplier/Service Provider commits any serious breach or any repeated or continued material breach of its obligations under these Terms and/or Order or shall have been guilty of conduct tending to bring itself into disrepute, on written notice to the Supplier/Service Provider when such work on the Order shall stop.

10.2 Transnet shall pay the Supplier/Service Provider a fair and reasonable price for justified work in progress, where such price reflects only those costs not otherwise recoverable by the Supplier/Service Provider, at the time of termination, and the Supplier/Service Provider shall give Transnet full assistance to check the extent of such work in progress. Payment of such price shall be in full and final satisfaction of any claims arising out of such termination and upon such payment the Supplier/Service Provider shall deliver to Transnet all work, including any materials, completed or in progress. The sum payable to the Supplier/Service Provider under this clause will not in any event exceed the total amount that would have been payable to the Supplier/Service Provider had the Order not been terminated.

10.3 In the event of termination the Supplier/Service Provider must submit all claims within 2 [two] months of termination after which time claims will only be met in what Transnet considers exceptional circumstances.

10.4 If the Goods or Services are not provided in accordance with an Order, the Order shall be deemed terminated and the Supplier/Service Provider shall compensate Transnet for any costs incurred in obtaining substitute Goods or any damage caused due to the failure or delay in the delivery.

11 ACCESS

The Supplier/Service Provider shall be liable for the acts, omissions and defaults of its personnel or agents who, for the purposes of the Order, shall be treated as if they are the Supplier's/Service Provider's employees. The Supplier/Service Provider shall ensure that any such personnel or agents, whilst on Transnet's premises, shall comply with Transnet's health and safety, security and system security rules and procedures as and where required.

12 WARRANTY

The Supplier/Service Provider warrants that it is competent to supply the Goods/Services in accordance with these Terms to the reasonable satisfaction of Transnet and that all Goods/Services delivered under the Order: (a) conform and comply in all relevant legislation, standards, directives and orders related to *[inter alia]* the supply, manufacture and use of the Goods/Services in force at the time of delivery, and to any specifications referred to in the Order; (b) will not cause any deterioration in the functionality of any Transnet equipment; and (c) do not infringe any third party rights of any kind. The Supplier/Service Provider hereby indemnifies Transnet against all losses, liabilities, costs, claims, damages, expenses and awards of any kinds incurred or made against Transnet in connection with any breach of this warranty.

13 INSOLVENCY

If the Supplier/Service Provider shall have a receiver, manager, administrator, liquidator or like person appointed over all or any part of its assets or if the Supplier/Service Provider compounds with its creditors or passes a resolution for the winding up or administration of the Supplier/Service Provider, Transnet is at liberty to terminate the Order or Orders forthwith, or at its option, to seek performance by any such appointed person.

14 ASSIGNMENT

The Supplier/Service Provider shall not assign its obligations under an Order without Transnet's prior written consent, which consent shall not be unreasonably withheld or delayed.

15 NOTICES

Notices under these Terms shall be delivered by hand to the relevant addresses of the parties in the Order or may be served by facsimile or by email, in which event notice shall be deemed served on a knowledge of receipt by the recipient.

16 LAW

Orders shall be governed by and interpreted in accordance with South African law and any disputes arising herein shall be subject to South African arbitration under the rules of the Arbitration Foundation of South Africa, which rules are deemed incorporated by reference in this clause. The reference to arbitration shall not prevent Transnet referring the matter to any South African courts, having jurisdiction, to which the Supplier/Service Provider hereby irrevocably submits but without prejudice to Transnet's right to take proceedings against the Supplier/Service Provider in other jurisdictions and/or obtaining interim relief on an urgent basis from a court of competent jurisdiction pending the decision in other courts or from instituting in any court of competent jurisdiction any proceedings for an interdict or any other injunctive relief. If the Supplier/Service Provider does not have a registered office in the South Africa it will at all times maintain

an agent for service of process in South Africa and shall give Transnet the name and address of such agent as such may be amended, in writing, from time to time.

17 GENERAL

Completion or termination of an Order shall be without prejudice to any Term herein which by its nature would be deemed to continue after completion or termination, including but not limited to clauses. Headings are included herein for convenience only. If any Term herein be held illegal or unenforceable, the validity or enforceability of the remaining Terms shall not be affected. No failure or delay by Transnet to enforce any rights under these Terms will operate as a waiver thereof by Transnet. All rights and remedies available to either party under these Terms shall be in addition to, not to the exclusion of, rights otherwise available at law.

18 COUNTERPARTS

These Terms and conditions may be signed in any number of counterparts, all of which taken together shall constitute one and the same instrument. Any party may enter into the agreement by signing any such counterpart.

"PREVIEW COPY ONLY"

By signing this RFQ document, the Respondent is deemed to acknowledge that he/she has made himself/herself thoroughly familiar with all the conditions governing this RFQ, including those contained in any printed form stated to form part hereof and Transnet SOC Ltd will recognise no claim for relief based on an allegation that the Respondent overlooked any such condition or failed to properly take it into account for the purpose of calculating quoted prices or otherwise.

SIGNED at _____ on this ____ day of _____ 2014

.....
SIGNATURE OF RESPONDENT'S AUTHORISED REPRESENTATIVE

NAME: _____

DESIGNATION: _____

REGISTERED NAME OF COMPANY: _____

PHYSICAL ADDRESS:

Respondent's contact person: *[Please complete]*

Name	:	
Designation	:	
Telephone	:	
Cell Phone	:	
Facsimile	:	
Email	:	
Website	:	



Transnet urges its clients, suppliers and the general public to report any fraud or corruption to TIP-OFFS ANONYMOUS : 0800 003 056

Section 4
VENDOR APPLICATION FORM

Respondents are to furnish the following documentation and complete the Vendor Application Form below:

1. **Original** cancelled cheque **OR** letter from the Respondent's bank verifying banking details **[with bank stamp]**
2. **Certified** copy of Identity Document(s) of Shareholders/Directors/Members [where applicable]
3. **Certified copies** of the relevant company registration documents from Companies and Intellectual Property Commission (CIPC)
4. **Certified copies** of the company's shareholding/director's portfolio
5. A letter on the company's letterhead confirm physical and postal addresses
6. **Original** valid SARS Tax Clearance Certificate
7. **Certified copy** of VAT Registration Certificate
8. **A valid and original** B-BBEE Verification Certificate / sworn affidavit **or certified copy** thereof meeting the requirements for B-BBEE compliance as per the B-BBEE Codes of Good Practice
9. **Certified copy** of valid Company Registration Certificate [if applicable]

Vendor Application Form

Company trading name						
Company registered name						
Company Registration Number or ID Number if a Sole Proprietor						
Form of entity [v]	CC	Trust	Pty Ltd	Limited	Partnership	Sole Proprietor
VAT number [if registered]						
Company telephone number						
Company fax number						
Company email address						
Company website address						
Bank name			Branch & Branch code			
Account holder			Bank account number			
Postal address						

Respondent's Signature

Date & Company Stamp

Code

Physical Address Code

Contact person

Designation

Telephone

Email

Annual turnover range [last financial year] < R5 m R5 - 35 m > R35 m

Does your company provide Products Services Both

Area of delivery National Provincial Local

Is your company a public or private entity Public Private

Does your company have a Tax Directive or IRP30 Certificate Yes No

Main product or services [e.g. Stationery/Consulting]

Complete B-BBEE Ownership Details:

% Black ownership % Black women ownership % Disabled Black ownership % Youth ownership

Does your entity have a B-BBEE certificate Yes No

What is your B-BBEE status [Level 1 to 9 / Unknown]

How many personnel does the entity employ Permanent Part time

If you are an existing vendor with Transnet please complete the following:

Transnet contact person

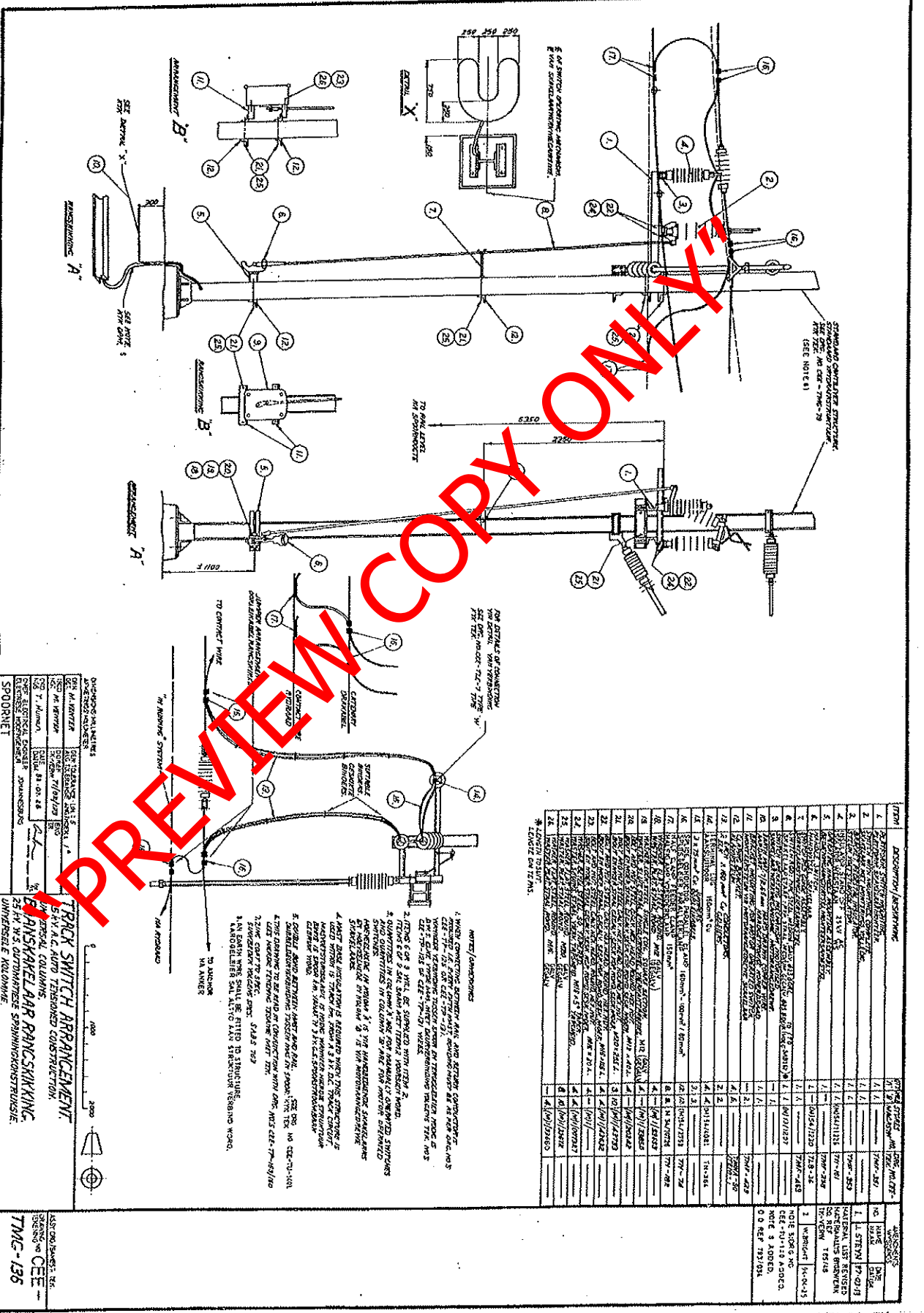
Contact number

Transnet Operating Division

Duly authorised to sign for and on behalf of Company / Organisation:

Name		Designation	
Signature		Date	

ANNEXURE A



PREVIEW COPY ONLY

STANDARD GAUGE RAIL TRACKING SYSTEMS (SEE NOTE 1)

FOR DETAILS OF DIMENSIONS AND MATERIALS, REFER TO THE DRAWING TITLED "TRACK SWITCH ARRANGEMENT" AND THE DRAWING TITLED "TRACK SWITCH ARRANGEMENT - DIMENSIONS".

1. THE TRACK SWITCH ARRANGEMENT SHALL BE OF THE TYPE "A" OR "B" AS SHOWN IN THE DRAWING.

2. THE TRACK SWITCH ARRANGEMENT SHALL BE OF THE TYPE "A" OR "B" AS SHOWN IN THE DRAWING.

3. THE TRACK SWITCH ARRANGEMENT SHALL BE OF THE TYPE "A" OR "B" AS SHOWN IN THE DRAWING.

4. THE TRACK SWITCH ARRANGEMENT SHALL BE OF THE TYPE "A" OR "B" AS SHOWN IN THE DRAWING.

5. THE TRACK SWITCH ARRANGEMENT SHALL BE OF THE TYPE "A" OR "B" AS SHOWN IN THE DRAWING.

6. THE TRACK SWITCH ARRANGEMENT SHALL BE OF THE TYPE "A" OR "B" AS SHOWN IN THE DRAWING.

7. THE TRACK SWITCH ARRANGEMENT SHALL BE OF THE TYPE "A" OR "B" AS SHOWN IN THE DRAWING.

8. THE TRACK SWITCH ARRANGEMENT SHALL BE OF THE TYPE "A" OR "B" AS SHOWN IN THE DRAWING.

9. THE TRACK SWITCH ARRANGEMENT SHALL BE OF THE TYPE "A" OR "B" AS SHOWN IN THE DRAWING.

10. THE TRACK SWITCH ARRANGEMENT SHALL BE OF THE TYPE "A" OR "B" AS SHOWN IN THE DRAWING.

11. THE TRACK SWITCH ARRANGEMENT SHALL BE OF THE TYPE "A" OR "B" AS SHOWN IN THE DRAWING.

12. THE TRACK SWITCH ARRANGEMENT SHALL BE OF THE TYPE "A" OR "B" AS SHOWN IN THE DRAWING.

13. THE TRACK SWITCH ARRANGEMENT SHALL BE OF THE TYPE "A" OR "B" AS SHOWN IN THE DRAWING.

14. THE TRACK SWITCH ARRANGEMENT SHALL BE OF THE TYPE "A" OR "B" AS SHOWN IN THE DRAWING.

15. THE TRACK SWITCH ARRANGEMENT SHALL BE OF THE TYPE "A" OR "B" AS SHOWN IN THE DRAWING.

16. THE TRACK SWITCH ARRANGEMENT SHALL BE OF THE TYPE "A" OR "B" AS SHOWN IN THE DRAWING.

17. THE TRACK SWITCH ARRANGEMENT SHALL BE OF THE TYPE "A" OR "B" AS SHOWN IN THE DRAWING.

18. THE TRACK SWITCH ARRANGEMENT SHALL BE OF THE TYPE "A" OR "B" AS SHOWN IN THE DRAWING.

19. THE TRACK SWITCH ARRANGEMENT SHALL BE OF THE TYPE "A" OR "B" AS SHOWN IN THE DRAWING.

20. THE TRACK SWITCH ARRANGEMENT SHALL BE OF THE TYPE "A" OR "B" AS SHOWN IN THE DRAWING.

21. THE TRACK SWITCH ARRANGEMENT SHALL BE OF THE TYPE "A" OR "B" AS SHOWN IN THE DRAWING.

22. THE TRACK SWITCH ARRANGEMENT SHALL BE OF THE TYPE "A" OR "B" AS SHOWN IN THE DRAWING.

23. THE TRACK SWITCH ARRANGEMENT SHALL BE OF THE TYPE "A" OR "B" AS SHOWN IN THE DRAWING.

24. THE TRACK SWITCH ARRANGEMENT SHALL BE OF THE TYPE "A" OR "B" AS SHOWN IN THE DRAWING.

25. THE TRACK SWITCH ARRANGEMENT SHALL BE OF THE TYPE "A" OR "B" AS SHOWN IN THE DRAWING.

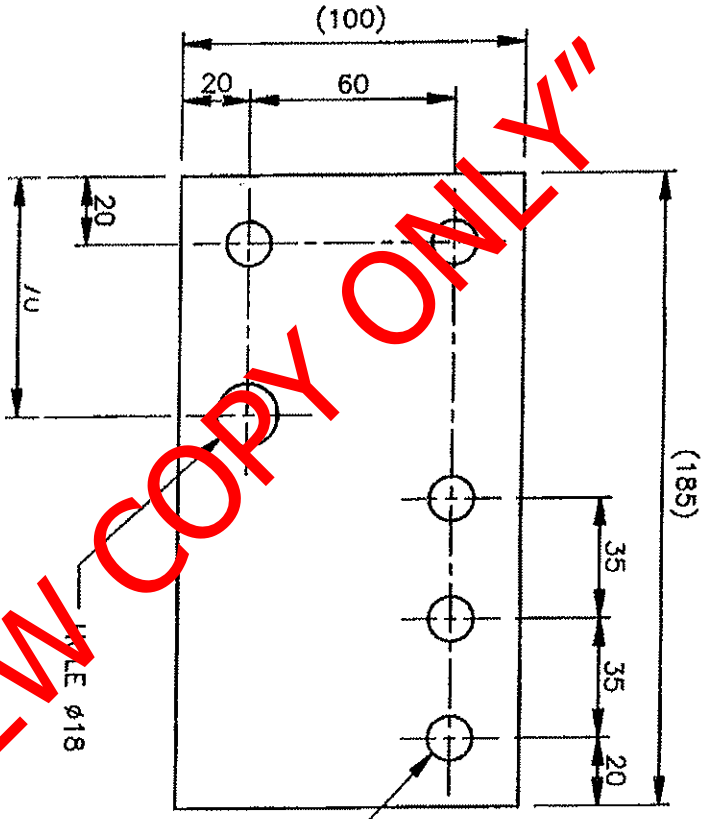
NO.	REVISION	DATE	BY	CHECKED BY	APPROVED BY
1	ISSUED FOR TENDER
2
3
4
5
6
7
8
9
10
11
12
13
14
15
16
17
18
19
20
21
22
23
24
25

MATERIAL: ITEM NO _____, COPPER, FLAT, 100 X 10 THK X 185 LG, SPEC. BS. 1478
 DO REF: Y77/16 GEN TOL: LINE 1 ANGL _____
 DRN: B STEWART CKD: J JACKSON DATE: 79-06-06
 ENG: _____ GA WILAMS for CHIEF ENG

INFRASTRUCTURE
 (ELECTRICAL)

SPOORNET

ADAPTOR PLATE, INSULATOR
 OHTE SWITCH STRUCTURES



NOTE
 TIN BOTH FACES.

REVIEW COPY ONLY

AMENDMENTS	
NO	NAME DATE
1	L E WOOD 96-08-01

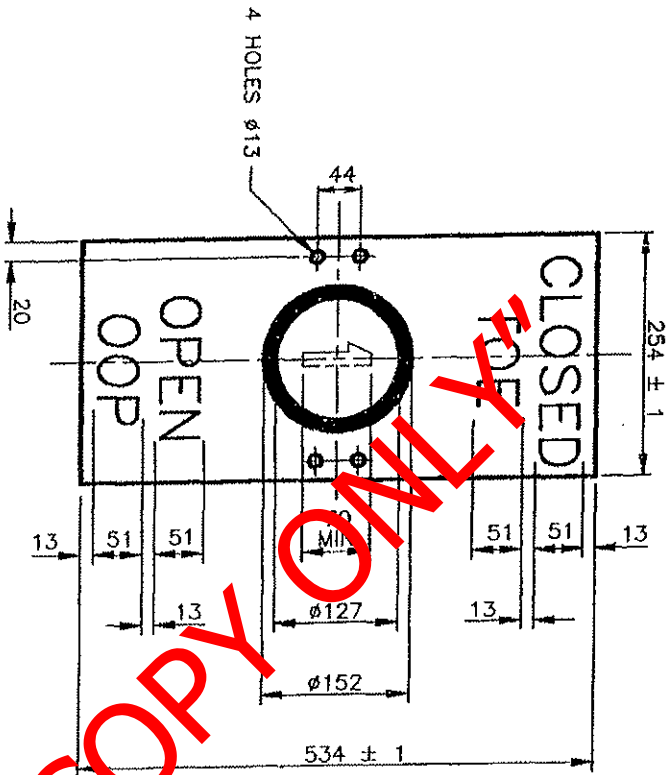
REDRAWN. DRG NO WAS CEE-TN-144.
 DO REF: T96/009

STORES ITEM NO. _____

DIMENSIONS: mm
 SCALE: 1:2



DRG NO CEE-
TLC-51
 SHT -- OF --



COLOURS
 LETTERS.....BLACK
 BACKGROUND.....WHITE

FINISH

LETTERS TO BE SILK SCREENED ONTO PLATE USING
 "MIRACLE INK" OR APPROVED EQUIVALENT.

NOTES

1. APPLY WITHIN CIRCLE, DECAL NUMBERS INDICATING ACTUAL TRACKS CONTROLLED BY RELEVANT SWITCH.
2. NOT TO BE USED ON ISOLATING AND EARTHING SWITCHES.
3. WARNING SIGN MUST CONFORM TO SPEC SABS 1186.

SCALE 1:2

MATERIAL: "CHROMADEK" (SILICONE POLYESTER COATING) OR APPROVED EQUIVALENT, 1mm THICK.

DO REF:	GEN TOL: LINE	0.5	ANG:
DRN: L.D.	CHKD: W.R.G.	DATE: 54-03-13	
ENG: T.C.B.	J. SAMUEL	for CHIEF ENG	
INFRASTRUCTURE (ELECTRICAL)			
SPOORNET			

INDICATING PLATE
 "CLOSED - OPEN"
 SECTION SWITCHES ONLY

AMENDMENTS	
NO	NAME DATE
14	H v V 93-11-08
RADIUS R6 REMOVED.	
DO. REF: T93/052	
15	J HARCUS 94-10-31
NOTE RE SABS 1186 ADDED.	
DO. REF: T94/028	

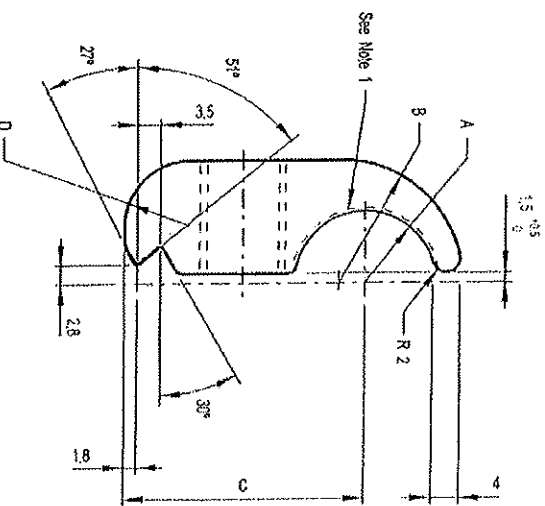
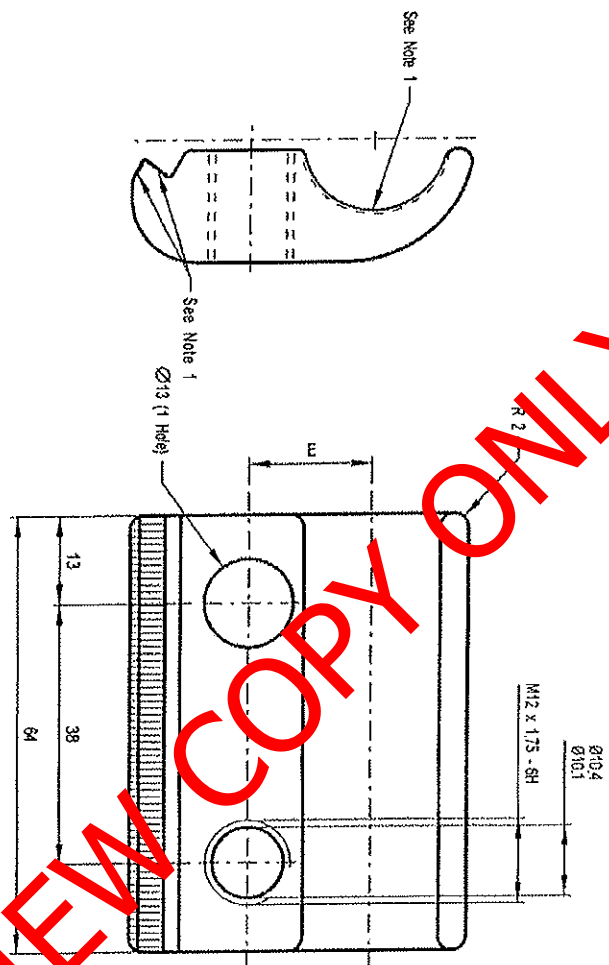
STORES ITEM NO
 54/3228

DIMENSIONS: mm
 SCALE: 1:5

A3
 DRAWING NO CEE-
 TWN-5
 SHEET -- OF --

- NOTES
1. These surfaces to be serrated. Pitch: 1.5 x 0.3 deep
 2. Tolerance on Radii A & B: 0
 3. All unspecified Radii R2.
 4. For assembly. See drawing number CEE-TNB-0081.

STORES NO	CONDUCTOR SIZES	DIMENSIONS				
		A	B	C	D	E
54/008815	50mm ² / 53mm ² / 72mm ²	4.5	15	27.5	6.5	11.5
54/010751	80mm ² / 100mm ²	5.5	15	29.5	6.5	13.5
54/010726	150mm ²	6.5	15	31.5	6.5	15.5
54/010738	250mm ²	10.5	18	33.5	9.5	18



© COPYRIGHT PROTECTED. PREPARED BY CENTRAL DRAWING OFFICE

DIMENSIONS : mm SCALE : 1 : 1
 TOLERANCE : LINES ANG 0°30' ITEM NO : -
 MATERIAL : Cu-Ni-Si Alloy, to Spec. CEE-0083
 VERSION INFO : SERRATIONS AND ALTERNATIVE MATERIAL
 CHANGED. NOTE 2 REMOVED.

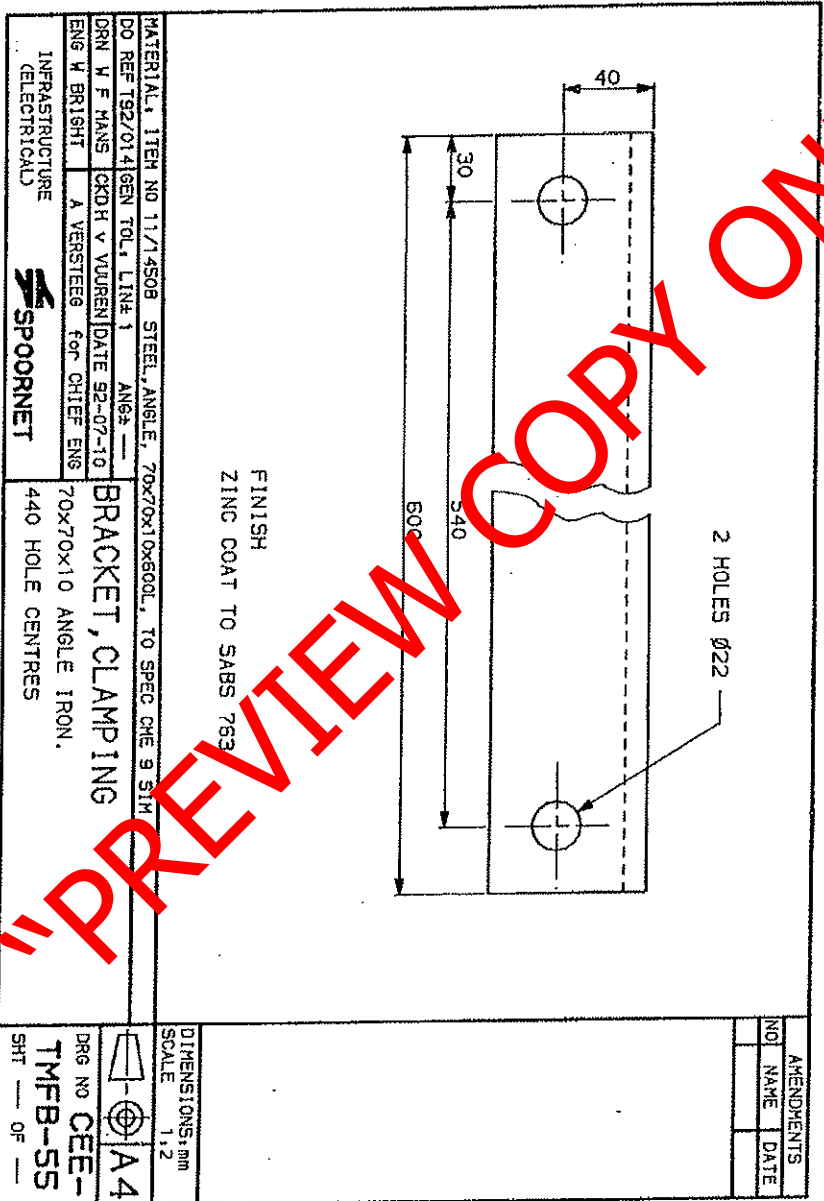
APPROVED
[Signature]
 02/09/2013

AUTHORISED
[Signature]
 2-9-2013

DESIGNED : -
 ELECTRICAL CLAMP
 FEEDER HALF CLAMP,
 107mm² Cu CONTACT WIRE

TRANSNET
 freightrol
 CEE-TNB-0080
 AMENDMENT 4

DO REF: CDO/7977 ECP REF: BBG0795 DRAWN: C L BUCKLE DESIGNED: - CHECKED: H VAN VOUREN



DO REF 192/014	GEN TOL. LINE 1	ANG 2	—
DRN V F HANS	ORDH V YUREN	DATE 92-07-10	
ENG V BRISHT	A VERSTEEG	for CHIEF ENG	
INFRASTRUCTURE (ELECTRICAL)		SPORNET	

440 HOLE CENTRES

AMENDMENTS	
NO	DATE

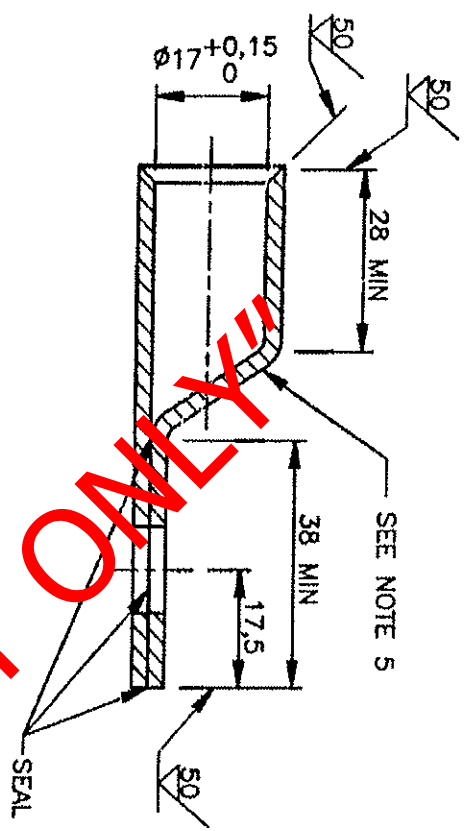
DIMENSIONS: mm
SCALE 1:2

A4

DRG NO CEE-
TMFB-55
SHT — OF —

3 4 4 3

PREVIEW COPY ONLY



NOTES

1. HOLE: AFTER PUNCHING OR DRILLING, BURRS TO BE REMOVED.
2. LUG: TO BE COMPLETELY TINNED, SEALING THE EDGES MARKED "SEAL" TO SPEC. BS.1872 Sh 12C.
3. SPADE SURFACES TO BE FLAT.
4. LUG WILL BE CRIMPED INTO HEXAGONAL CONFIGURATION BY MEANS OF HYDRAULIC COMPRESSION TOOL. (DRG NO CEE-PP-15)
5. INSPECTION HOLE NOT TO BE PROVIDED.
6. THIS DRAWING IS FOR TENDER PURPOSES ONLY.
7. DIMENSIONS NOT INDICATED TO BE DECIDED BY TENDER.

MATERIAL: ITEM NO —, COPPER TO SPEC. BS.1977
 DO REF: Y74/34 GEN TOL: LINE 1 ANGL —
 DRN:A ZAZWORKA OKD: S MOUTON DATE: 74-05-08
 ENG: — TC BROOK for CHIEF ENG

INFRASTRUCTURE (ELECTRICAL)
SPOORNET
 TERMINAL, LUG
 CABLE SIZE 160mm²

AMENDMENTS		
NO	NAME	DATE
1	L E WOOD	96-08-01

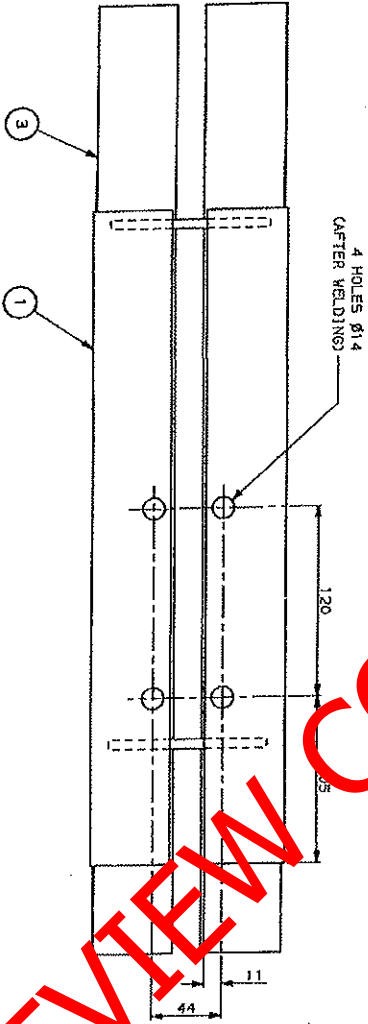
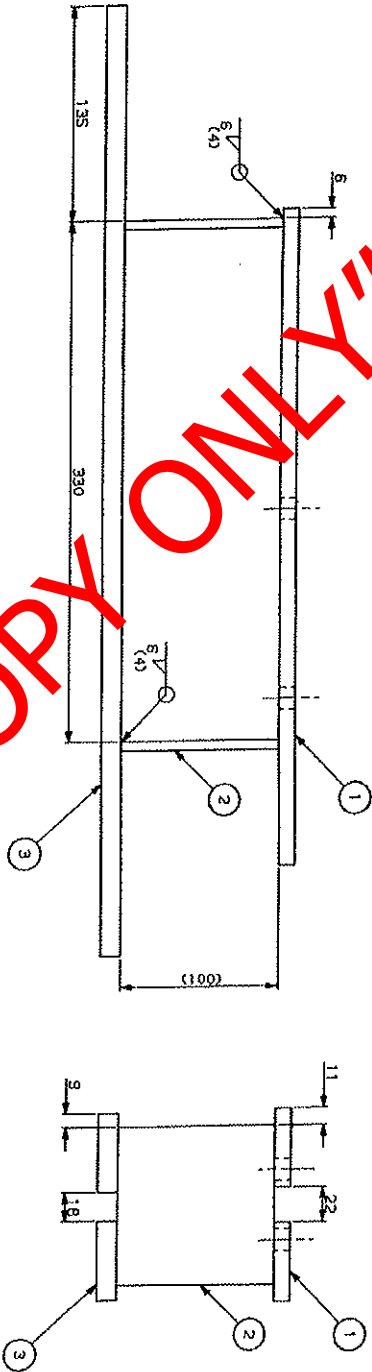
REDRAWN, DRG NO WAS CEE-TN-364.
 DO REF: 196/009

STORES ITEM NO.
 54/4081
 DIMENSIONS: mm
 SCALE: 1:1



DRG NO CEE-
TNB-58
 SHT — OF —

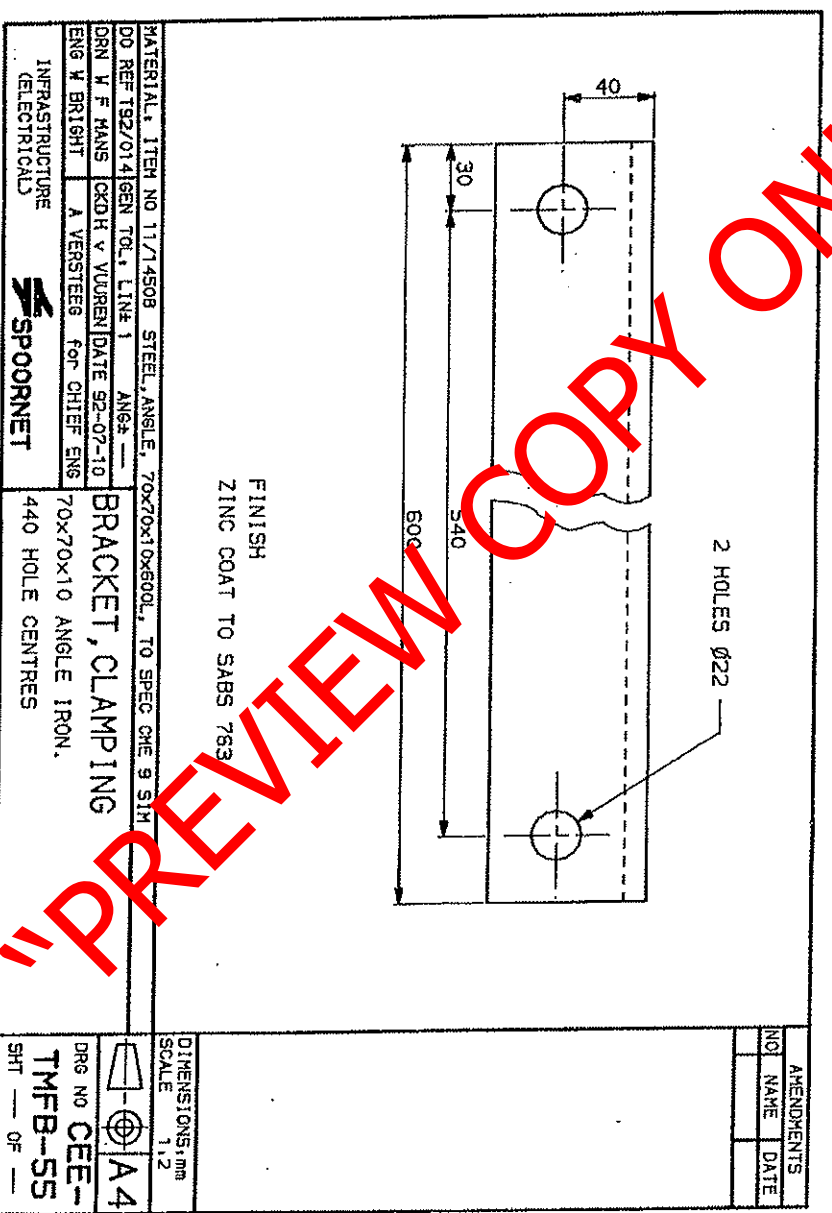
ITEM	DESCRIPTION	QTY	STORES	ITEM NO	DRG NO	CEE-	AMENDMENTS
							NO NAME DATE
1	STEEL FLAT, 50 x 10 x 41 SL TO SPEC CHE 9 SYN 8 (11/12818)	2					
2	STEEL FLAT, 100 x 6 x 100L TO SPEC CHE 9 SYN 8 (11/12819)	2					
3	STEEL FLAT, 50 x 12 x 600L TO SPEC CHE 9 SYN 8 (11/12809)	2					



FINISH
ZINC COAT TO SABS 763 AFTER WELDING

DO REF T92/014 GEN TOL. LINE 1	ANG 1	OPERATING HANDLE MOUNTING ASSEMBLY	DIMENSIONS: mm
DRN M E MANS	CKD H V VUBEN DATE 92-07-10	SWITCH STRUCTURE	SCALE 1:2
ENG M BRIGT	A VERSTERG FOR CHIEF ENG	CONCRETE MAST, 3KV DC.	A2
INFRASTRUCTURE ELECTRICAL	SPORNET		DRAWING NO CEE-TMF-B-69
			SHEET -- OF --

PREVIEW COPY ONLY



MATERIAL: ITEM NO 11/14508 STEEL, ANGLE, 70x70x10x600L, TO SPEC CHE 9 SIM

DO REF 192/014 GEN TOL, LINE 1 ANG —

DRN V F HANS CKDH v VOUREN DATE 92-07-10

ENG W BRIGHT A VERSTEEES for CHIEF ENG

INFRASTRUCTURE
ELECTRICALS

SPORNET

4

4

3

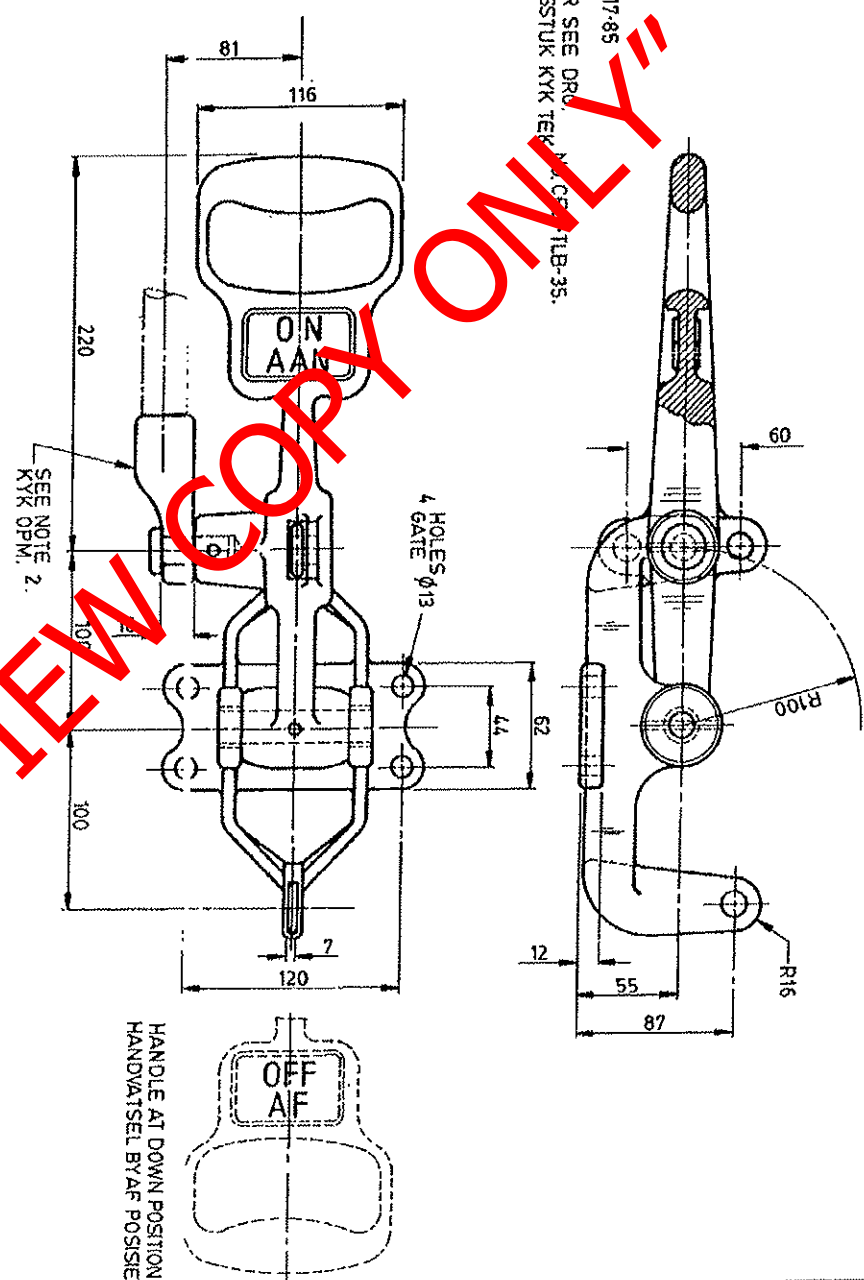
3

4

4

NOTES / OPMERKINGS

- REFER TO SPEC. CEE-0117-85
VERWYS NA SPEK. CEE-0117-85
- FOR SWITCH ROD ADAPTOR SEE DRG. NO. CEE-11B-35.
VIR SKAKELARSTANG-PASSTUK KYK TEK. NO. CEE-11B-35.



DIMENSIONS: MILLIMETRES
AFMETINGS: MILLIMETER

DRN	GEN TOLERANCES: LINE 05
GET	ALG TOLERANSIES: ANG/HOEK#
TRCD	DO REF
NGT	TK-VERW
CKD	DATE
NGS	DATUM

CHIEF ELECTRICAL ENGINEER
ELEKTRIESE HOOFINGENIEUR

SOUTH AFRICAN TRANSPORT SERVICES
SUID-AFRIKAANSE VERVOERDIENSTE

JOHANNESBURG

ELECTRIFICATION TYPES / ELEKTRIFIKASIE Tipes
GENERAL / ALGEMEEN

HANDLE SWITCH.
COMPLETE MECHANISM WITHOUT OPERATING ROD
TYPE A.E.G. TRACK SWITCH.

HANDVATSEL, SKAKELAAR-
VOLLEDIGE MEGANISME SONDER WERKSTANG.
TIPPE A.E.G. BOBAANSKAKELAAR.

NOT TO SCALE
NIE VOLGENS SKAAL

HANDLE AT DOWN POSITION
HANDVATSEL BYAF POSISIE

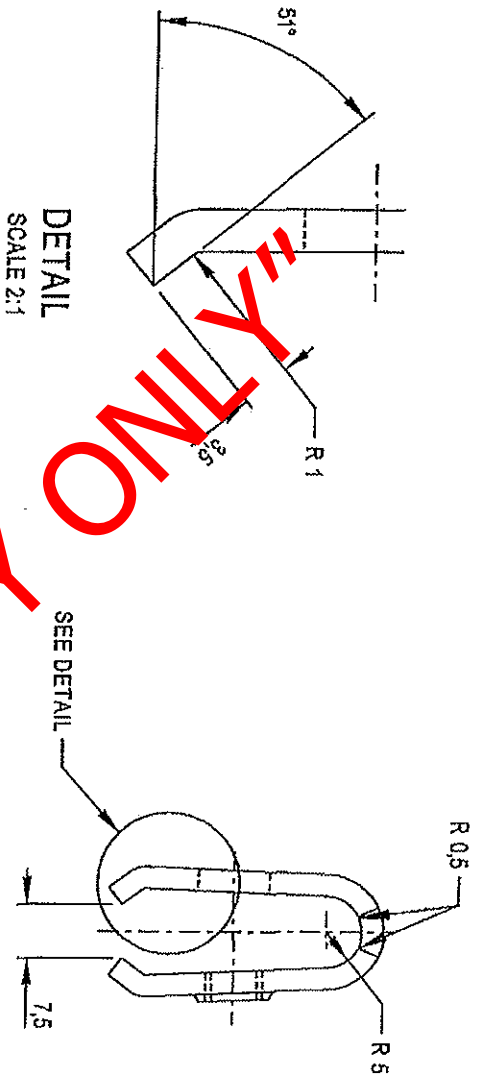
AMENDMENTS WYSIGINGS	
NO	DATE
NAME	NAAM
NAAM	DATUM
2.	J. STEYN
	87-03-13

REDRAWN & REVISED.
OORGETEKEN EN HERSEIEN.
DRS NO WAS ENW-EIG-5.
TEK NO WAS ENW-EIG-5.

DO REF
TK-VERW 186/148

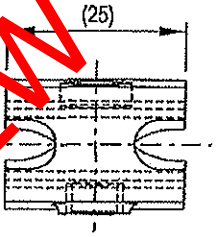
ELECTRIFICATION TYPES REFERENCE DRG NO CEE-MA-26 SH 7B
ELEKTRIFIKASIE Tipes VERWYSINGSTREK-NO CEE-MA-369 VEL 7B
MODULES ITEM NO (M) 54/1230
PREVIOUS ITEM NO VORIGE 54/112201
DRAWING NO TEKENING NO
CEE- TLB-36
SHEET _____ OF _____ VEL _____ VAN _____

PREVIEW COPY ONLY



DETAIL
SCALE 2:1

NOTE
USE PLATE AS ON DRG. NO. CEE-TND-0017.



© COPYRIGHT PROTECTED. PREPARED BY CENTRAL DRAWING OFFICE.

DO REF: T80/65	GEN TOL: LIN ± 0.5 ANG ± 1°
DRN: P. MARTIN	CKD: R. McMILLAN
ENG: -	G.A. WILLIAMS for CHIEF ENG
CENTRAL DRAWING OFFICE	

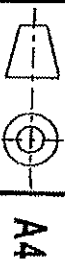
ELECTRICAL CLAMP
CONTACT WIRE CLIP FOR 10/17mm² CONTACT WIRE

AMENDMENTS	
NO	NAME DATE
2	<i>[Signature]</i> 13/3/02

REDRAWN AND REVISED.
ECP REF: BBC5700
DO REF: CDO/5281

STORES ITEM NO

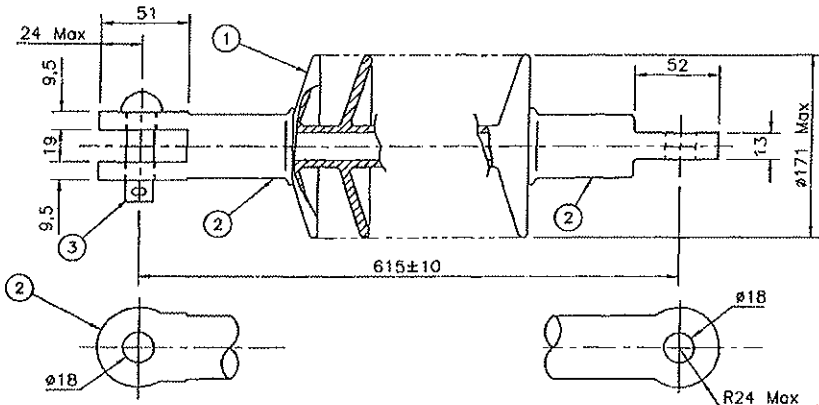
DIMENSIONS: mm
SCALE: 1:1



DRAWING NO CEE-TND-0014

SHEET - OF -

ITEM	DESCRIPTION	QTY	STORES ITEM NO	DRG NO CEE-
1	INSULATOR: ULTRA VIOLET RESISTANT, WATER REPELLANT, SYNTHETIC RUBBER INSULATION e.g. SILICON RUBBER	AS REQUIRED		
2	END FITTINGS: CORROSION RESISTANT e.g. AL ALLOY, BRONZE OR GALVANISED STEEL OR HOLES WITH GALVANISED STEEL OR STAINLESS STEEL INSERTS	AS REQUIRED		
3	CLEVIS PIN WITH LOCKING SPLIT PIN, $\phi 16$	1	54/4020	TX-66

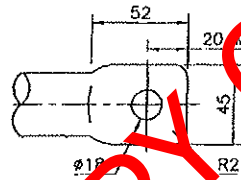


DESIGN INFORMATION

MINIMUM TENSILE BREAKING LOAD	60kN
MINIMUM CREEPAGE PATH	
MEDIUM POLLUTION	952mm
HEAVY POLLUTION	150mm
VERY HEAVY POLLUTION	476mm
MINIMUM ARCING DISTANCE	420mm
LIGHTNING IMPULSE WITHSTAND VOLTAGE	250kV
WITHSTAND ALTERNATING VOLTAGE UNDER RAIN	95kV

TABLE A		
END CAP CONFIGURATION	STORES ITEM NO	
ROUND CLEVIS / ROUND TONGUE	54/032476	
ROUND CLEVIS / SQUARE TONGUE	54/032488	
SQUARE TONGUE / SQUARE TONGUE	54/32605	

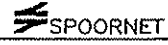
- NOTES
1. THIS INSULATOR TO BE USED FOR ALL APPLICATIONS IN HIGH RISK AREAS (e.g. SUSPENSION, REGISTRATION AND MAKE-OFF). (NOT TO BE USED ON COMPRESSION ARRANGEMENTS i.e. PPD ARRANGEMENTS ON CURVED TRACKS).
 2. INSULATOR TO BE TESTED IN ACCORDANCE WITH IEC 1109 STANDARD FOR COMPOSITE INSULATORS.
 3. VANDAL PROOF PROPERTIES OF INSULATOR TO BE EQUAL OR BETTER THAN THE "RODURFLEX" TRACTION INSULATORS.
 4. THIS IS A TYPICAL DRG ONLY (DETAIL SHEET AND END FITTINGS DESIGN TO SUIT APPLICATION).



VERSION		
No.	NAME	DATE
2		
TABLE A CHANGED CDO/459		
STORES ITEM No. SEE TABLE A		
DIMENSIONS: mm		
SCALE: NTS		
A3		
DRAWING NO BBB0281		
VERSION 2		

DO REF: CDO/176	GEN TOL: LIN± 1	ANG±
DRN: DA Ballabio	CKD: JD v Dyk	DATE: 99-08-11
ENG: WF MANS	HA SUIER	for CHIEF ENG
INFRASTRUCTURE (ELECTRICAL)		

VANDAL PROOF TENSION INSULATOR (COMPOSITE)
25 kV AC; TONGUE AND CLEVIS



"PREVIEW COPY ONLY"