

Transnet freight rail, a division of

**TRANSNET SOC LTD**

Registration Number 1990/000900/30

[hereinafter referred to as **Transnet**]

**REQUEST FOR QUOTATION [RFQ] No PTH 52844**

**FOR THE SUPPLY OF:**

1. POINTS CLAMP FOR 60E1 TANGENTIAL TURNOUT AS PER DRAWING BBF7984, BBF7997, BBF7998, BBF7999, BBF8000, BBF8001 AND BBF8002.
2. CRANK HANDLE CASING WITH DOOR & HOT DIP GALVANISED AS PER DRAWING 1 TO 4.
3. SINGLE M.L. ANTI VANDALISM BOX & HOT DIP GALVANISED AS PER ATTACHED DRAWINGS SHEET 1 TO 19.

**FOR DELIVERY TO:** Transnet freight rail, Infrastructure Building, Cnr Broad & Paterson Road, North End, Port Elizabeth

**ISSUE DATE:** 01 April 2014

**CLOSING DATE:** 15 April 2014

**CLOSING TIME:** 16:00

**Section 1**  
**NOTICE TO BIDDERS**

Quotations which must be completed as indicated in Section 2 of this RFQ are to be submitted as follows:

**METHOD:** [email or faxed]

**CLOSING VENUE:**

Email address : Phumla.Maldaka@transnet.net

or

**LANDLINE FAX : 041 507 2709**

or

**RIGHT FAX : 011 773 0862**

**1 Responses to RFQ**

Responses to this RFQ [Quotations] must not include documents or reference relating to any other quotation or proposal. Any additional conditions must be embodied in an accompanying letter.

**2 Broad-Based Black Economic Empowerment [B-BBEE]**

Transnet fully endorses and supports the Government's Broad-Based Black Economic Empowerment Programme and it would therefore prefer to do business with local business enterprises who share these same values. Transnet will accordingly allow a "preference" to companies who provide a valid B-BBEE Verification Certificate. All procurement transactions will be evaluated accordingly.

**2.1 B-BBEE Scorecard and Rating**

As prescribed in terms of the Preferential Procurement Policy Framework Act (PPFA), Act 5 of 2000 and its Regulations, Respondents are to note that the following preference point system is applicable to all bids:

- the 80/20 system for requirements with a Rand value of up to R1 000 000 (**all applicable taxes included**).
- Bidders are to note that if the 80/20 preference point system is stipulated in this RFP and all Bids received exceed R1 000 000.00, the RFP must be cancelled.

The value of this bid is estimated to be below R1000 000 (**all applicable taxes included**) and therefore the **80/20** system shall be applicable.

When Transnet invites prospective suppliers to submit Proposals for its various expenditure programmes, it requires Respondents to have their B-BBEE status verified in compliance with the Codes of Good Practice issued in terms of the Broad Based Black Economic Empowerment Act No. 53 of 2003.

The Department of Trade and Industry recently revised the Codes of Good Practice on 11 October 2013 [Government Gazette No. 36928]. The Revised Codes will replace the Black Economic

Transnet Request for Quotation No PTH 52844

Respondent's Signature

Date & Company Stamp

Empowerment Codes of Good Practice issued on 9 February 2007. The Revised Codes provide for a one year transitional period starting 11 October 2013. During the transitional period, companies may elect to be measured in terms of the Revised Codes or the 2007 version of the Codes. After the first year of the implementation of the Revised Codes, B-BBEE compliance will be measured in terms of the Revised Codes without any discretion. Companies which are governed by Sector-specific Codes will be measured in terms of those Sector Codes.

As such, Transnet will accept B-BBEE certificates issued based on the Revised Codes. Transnet will also continue to accept B-BBEE certificates issued in terms of the 2007 version of the Codes provided it was issued before 10 October 2014. Thereafter, Transnet will only accept B-BBEE certificates issued based on the Revised Codes.

Respondents are required to complete **Annexure "A" [the B-BBEE Preference Point Claim Form]** and submit it together with proof of their B-BBEE Status as stipulated in the Claim Form in order to obtain preference points for their B-BBEE status.

**Note: Failure to submit a valid and original B-BBEE certificate or a certified copy thereof at the Closing Date of this RFQ will result in a score of zero being allocated for B-BBEE.**

*[Refer clause 15 below for Returnable Documents required]*

### 3 Communication

a) Respondents are warned that a response will be liable for disqualification should any attempt be made by a Respondent either directly or indirectly to canvass any officer(s) or employee of Transnet in respect of this RFQ between the closing date and the date of the award of the business.

b) A Respondent may, however, **before the closing date and time**, direct any written enquiries relating to the RFQ to the following Transnet employee:

**Name:** Steven Olivier **Email:** Steven.Olivier@transnet.net

c) Respondents may also, at any time **after the closing date of the RFQ**, communicate with Phumla Maldaka on any matter relating to its RFQ response:

**Telephone : 041 507 2720** **Email : Phumla.Maldaka@transnet.net**

### 4 Tax Clearance

The Respondent's original and valid Tax Clearance Certificate must accompany the Quotation. Note that no business shall be awarded to any Respondent whose tax matters have not been declared by SARS to be in order.

### 5 VAT Registration

The valid VAT registration number must be stated here: \_\_\_\_\_ *[if applicable].*

### 6 Legal Compliance

The successful Respondent shall be in full and complete compliance with any and all applicable national and local laws and regulations.

Transnet Request for Quotation No PTH 52844

Respondent's Signature

Date & Company Stamp

## **7 Changes to Quotations**

Changes by the Respondent to its submission will not be considered after the closing date and time.

## **8 Pricing**

All prices must be quoted in South African Rand on a fixed price basis, excluding VAT, **but including delivery.**

## **9 Prices Subject to Confirmation**

Prices quoted which are subject to confirmation will not be considered.

## **10 Negotiations**

Transnet reserves the right to undertake post-tender negotiations with selected Respondents or any number of short-listed Respondents.

## **11 Binding Offer**

Any Quotation furnished pursuant to this Request shall be deemed to be an offer. Any exceptions to this statement must be clearly and specifically indicated.

## **12 Disclaimers**

Transnet is not committed to any course of action as a result of its issuance of this RFQ and/or its receipt of a Quotation in response to it. Please note that Transnet reserves the right to:

- modify the RFQ's goods / service(s) and request Respondents to re-bid on any changes;
- reject any Quotation which does not conform to instructions and specifications which are detailed herein;
- disqualify Quotations submitted after the stated submission deadline;
- not necessarily accept the lowest priced Quotation;
- reject all Quotations, if it so decides;
- place an order in connection with this Quotation at any time after the RFQ's closing date;
- award only a portion of the proposed goods / service/s which are reflected in the scope of this RFQ;
- split the award of the order/s between more than one Supplier/Service Provider; or
- make no award at all.

Transnet reserves the right to award business to the highest scoring bidder/s unless objective criteria justify the award to another bidder.

## **13 Transnet's supplier integrity pact**

Transnet's Integrity Pact requires a commitment from suppliers and Transnet that they will not engage in any corrupt and fraudulent practices, anti-competitive practices; and act in bad faith towards each other. The Integrity Pact also serves to communicate Transnet's Gift Policy as well as the remedies available to Transnet where a Respondent contravenes any provision of the Integrity Pact.

Respondents are required to familiarise themselves with the contents of the Integrity Pact which is available on the Transnet Internet site [[www.transnet.net/Tenders/Pages/default.aspx](http://www.transnet.net/Tenders/Pages/default.aspx)] or on request.

Transnet Request for Quotation No PTH 52844

Respondent's Signature

Date & Company Stamp

Furthermore, Respondents are required to certify that they have acquainted themselves with all the documentation comprising the Transnet Integrity Pact and that they fully comply with all the terms and conditions stipulated in the Transnet Supplier Integrity Pact as follows:

<b>YES</b>	<b>NO</b>	
------------	-----------	--

Should a Respondent need to declare previous transgressions or a serious breach of law in the preceding 5 years as required by Annexure A to the Integrity Pact, such declaration must accompany the Respondent's bid submission.

**14 Evaluation Criteria**

Transnet will utilise the following criteria [not necessarily in this order] in choosing a Supplier/Service Provider, if so required:

Criterion /Criteria	Explanation
<b>Administrative responsiveness</b>	Completeness of response and returnable documents.
<b>Substantive responsiveness</b>	Prequalification criteria, if any, must be met and whether the Bid materially complies with the scope and/or specification given.
<b>Final weighted evaluation based on 80/ 20 preference point system as indicated</b>	<ul style="list-style-type: none"> <li>• Pricing and price basis [firm] - whilst not the sole factor for consideration, competitive pricing and overall level of unconditional discounts<sup>1</sup> will be critical</li> <li>• B-BBEE status of company - Preference points will be awarded to a bidder for attaining the B-BBEE status level of contribution in accordance with the table indicated in <b>Annexure "A"</b></li> </ul>

"PREVIEW COPY"

**15 Validity Period**

Transnet desires a validity period of **90 [ninety] days** from the closing date of this RFQ. This RFQ is valid until \_\_\_\_\_.

**16 Banking Details**

BANK: \_\_\_\_\_

BRANCH NAME / CODE: \_\_\_\_\_

ACCOUNT HOLDER: \_\_\_\_\_

ACCOUNT NUMBER: \_\_\_\_\_

\_\_\_\_\_

<sup>1</sup> Only unconditional discounts will be taken into account during evaluation. A discount which has been offered conditionally will, despite not being taken into account for evaluation purposes, be implemented when payment is effected.

\_\_\_\_\_  
Respondent's Signature

Transnet Request for Quotation No PTH 52844

\_\_\_\_\_  
Date & Company Stamp

**17 Company Registration**

Registration number of company / C.C. \_\_\_\_\_  
 Registered name of company / C.C. \_\_\_\_\_

**18 Disclosure of Prices Quoted**

Respondents must indicate here whether Transnet may disclose their quoted prices and conditions to other Respondents:

YES  NO

**19 Returnable Documents**

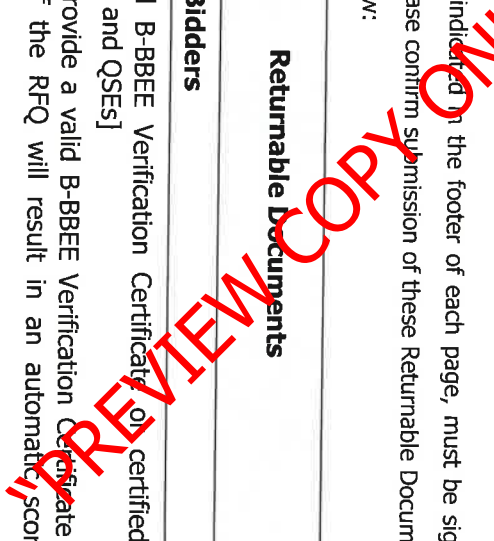
**Returnable Documents** means all the documents, Sections and Annexures, as listed in the tables below.

- a) Respondents are required to submit with their Quotations the **Returnable Documents**, as detailed below.

***Failure to provide all these Returnable Documents at the Closing Date and time of this RFQ may result in a Respondent's disqualification. Respondents are therefore urged to ensure that all these Documents are returned with their Quotations.***

All Sections, as indicated in the footer of each page, must be signed, stamped and dated by the Respondent. Please confirm submission of these Returnable Documents by so indicating [Yes or No] in the table below:

Returnable Documents	Submitted [Yes or No]
<p><b>SECTION 1 : Notice to Bidders</b></p> <ul style="list-style-type: none"> <li>- Valid and original B-BBEE Verification Certificate or certified copy thereof [Large Enterprises and QSES]                      Note: failure to provide a valid B-BBEE Verification Certificate at the closing date and time of the RFQ will result in an automatic score of zero for preference</li> <li>- Valid and original B-BBEE certificate/sworn affidavit or certified copy thereof from auditor, accounting officer or SANAS accredited Verification Agency [EMES]                      Note: failure to provide a valid B-BBEE Verification Certificate at the closing date and time of the RFQ will result in an automatic score of zero being allocated for preference</li> <li>- In the case of Joint Ventures, a copy of the Joint Venture Agreement or written confirmation of the intention to enter into a Joint Venture Agreement</li> <li>- <b>Tax clearance certificate</b></li> <li>- Original valid Tax Clearance Certificate [Consortia / Joint Ventures must submit a separate Tax Clearance Certificate for each party]</li> </ul>	
<p><b>SECTION 2 - Quotation Form</b></p>	
<p><b>ANNEXURE A – B-BBEE Preference Points Claim Form</b></p>	



## Section 2 QUOTATION FORM

I/We \_\_\_\_\_

hereby offer to supply the goods/services at the prices quoted in the Price Schedule below, in accordance with the conditions related thereto.

I/We agree to be bound by those terms and conditions in:

- the Standard Terms and Conditions for the Supply of Goods or Services to Transnet [available on request]; and
- any other standard or special conditions mentioned and/or embodied in this Request for Quotation.

I/We accept that unless Transnet should otherwise decide and so inform me/us, this Quotation [and, if any, its covering letter and any subsequent exchange of correspondence], together with Transnet's acceptance thereof shall constitute a binding contract between Transnet and me/us.

I/We further agree that if, after I/we have been notified of the acceptance of my/our Quotation, I/we fail to deliver the said goods/service/s within the delivery lead-time quoted, Transnet may, without prejudice to any other legal remedy which it may have, cancel the order and recover from me/us any expenses incurred by Transnet in calling for Quotations afresh and/or having to accept any less favourable offer.

### Price Schedule

I/We quote as follows for the goods required, on a "delivered nominated destination" basis, excluding VAT:

Item No	Description of Goods / Services	Unit of Measure	Quantity	Unit Price Excl VAT (ZAR)	Total Price Excl VAT (ZAR)
1.	<b>POINTNS CLAMP FOR 60E1 TANGENTIAL TURNOUT AS PER DRAWING BBF7984, BBF7997, BBF7998, BBF7999, BBF8000, BBF8001 AND BBF8002. (See Annexure "B" attached)</b>	Each	11		
2.	<b>CRANK HANDLE CASING WITH DOOR &amp; HOT DIP GALVANISED AS PER DRAWING 1 TO 4. (See Annexure "C" attached)</b>	Each	22		

Transnet Request for Quotation No PTH 52844

\_\_\_\_\_  
Respondent's Signature

\_\_\_\_\_  
Date & Company Stamp

3.	<b>SINGLE M.L. ANTI VANDALISM BOX &amp; HOT DIP GALVANISED AS PER ATTACHED DRAWINGS SHEET 1 TO 19. (See Annexure "D" attached)</b>	Each	28		
----	--	------	----	--	--

Delivery Lead-Time from date of purchase order : \_\_\_\_\_ [days/weeks]

**Notes to Pricing:**

- a) All Prices must be quoted in South African Rand, **exclusive of VAT, but inclusive of delivery.**
- b) Failure to include delivery cost will result in your RFQ to be overlooked.
- c) To facilitate like-for-like comparison bidders must submit pricing strictly in accordance with this price schedule and not utilise a different format. Deviation from this pricing schedule could result in a bid being disqualified.
- d) Please note that should you have offered a discounted price(s), Transnet will only consider such price discount(s) in the final evaluation stage if offered on an unconditional basis.

"PREVIEW COPY ONLY"



## RFQ PTH 52844 ANNEXURE A : B-BBEE PREFERENCE POINTS CLAIM FORM

This preference form contains general information and serves as a claim for preference points for Broad-Based Black Economic Empowerment [**B-BBEE**] Status Level of Contribution.

### 1. INTRODUCTION

- 1.1 A total of 20 preference points shall be awarded for B-BBEE Status Level of Contribution.
- 1.2 Failure on the part of a Bidder to fill in and/or to sign this form and submit a B-BBEE Verification Certificate from a Verification Agency accredited by the South African Accreditation System [**SANAS**] or a Registered Auditor approved by the Independent Regulatory Board of Auditors [**IRBA**] or an Accounting Officer as contemplated in the Close Corporation Act [**CCA**] together with the bid will be interpreted to mean that preference points for B-BBEE Status Level of Contribution are not claimed.
- 1.3 Transnet reserves the right to require of a Bidder, either before a Bid is adjudicated or at any time subsequently, to substantiate any claim in regard to preferences, in any manner required by Transnet.

### 2. GENERAL DEFINITIONS

- 2.1 **"all applicable taxes"** include value added tax, pay as you earn, income tax, unemployment insurance fund contributions and skills development levies;
- 2.2 **"B-BBEE"** means broad-based black economic empowerment as defined in section 1 of the Broad-Based Black Economic Empowerment Act;
- 2.3 **"B-BBEE status of contributor"** means the B-BBEE status received by a measured entity based on its overall performance using the relevant scorecard contained in the Codes of Good Practice on Black Economic Empowerment, issued in terms of section 9(1) of the Broad-Based Black Economic Empowerment Act;
- 2.4 **"Bid"** means a written offer in a prescribed or stipulated form in response to an invitation by Transnet for the provision of goods, works or services;
- 2.5 **"Broad-Based Black Economic Empowerment Act"** means the Broad-Based Black Economic Empowerment Act, 2003 [Act No. 53 of 2003];
- 2.6 **"comparative price"** means the price after the factors of a non-firm price and all unconditional discounts that can utilised have been taken into consideration;
- 2.7 **"consortium or joint venture"** means an association of persons for the purpose of combining their expertise, property, capital, efforts, skills and knowledge in an activity for the execution of a contract;
- 2.8 **"contract"** means the agreement that results from the acceptance of a bid by Transnet;
- 2.9 **"EME"** means any enterprise with an annual total revenue of R5 [five] million or less as per the 2007 version of the B-BBEE Codes of Good Practice and means any enterprise with an annual total

Transnet Request for Quotation No PTH 52844

Respondent's Signature

Date & Company Stamp

- revenue of R10 [ten] million or less as per the Revised Codes of Good Practice issued on 11 October 2013 in terms of Government Gazette No. 36928;
- 2.10 **"firm price"** means the price that is only subject to adjustments in accordance with the actual increase or decrease resulting from the change, imposition, or abolition of customs and excise duty and any other duty, levy, or tax, which, in terms of the law or regulation, is binding on the contractor and demonstrably has an influence on the price of any supplies, or the rendering costs of any service, for the execution of the contract;
- 2.11 **"functionality"** means the measurement according to predetermined norms, as set out in the bid documents, of a service or commodity that is designed to be practical and useful, working or operating, taking into account, among other factors, the quality, reliability, viability and durability of a service and the technical capacity and ability of a bidder;
- 2.12 **"non-firm prices"** means all prices other than "firm" prices;
- 2.13 **"person"** includes reference to a juristic person;
- 2.14 **"QSE"** means any enterprise with an annual total revenue between R5 [five] million and R35 [thirty five] million as per the 2007 version of the B-BBEE Codes of Good Practice and means any enterprise with an annual total revenue of between R10 [ten] million and R50 [fifty] million as per the Revised Codes of Good Practice issued on 11 October 2013 in terms of Government Gazette No. 36928
- 2.15 **"rand value"** means the total estimated value of a contract in South African currency, calculated at the time of bid invitations and includes all applicable taxes and excise duties;
- 2.16 **"subcontract"** means the primary contractor's assigning or leasing or making out work to, or employing another person to support such primary contractor in the execution of part of a project in terms of the contract;
- 2.17 **"total revenue"** bears the same meaning assigned to this expression in the Codes of Good Practice on Black Economic Empowerment, issued in terms of section 9(1) of the Broad-Based Black Empowerment Act and promulgated in the Government Gazette on 9 February 2007;
- 2.18 **"trust"** means the arrangement through which the property of one person is made over or bequeathed to a trustee to administer such property for the benefit of another person; and
- 2.19 **"trustee"** means any person, including the founder of a trust, to whom property is bequeathed in order for such property to be administered for the benefit of another person.

### 3. ADJUDICATION USING A POINT SYSTEM

- 3.1 The Bidder obtaining the highest number of total points for the evaluation criteria as enumerated in Section 2 of the RFP will be awarded the contract, unless objective criteria justifies the award to another bidder.
- 3.2 Preference points shall be calculated after prices have been brought to a comparative basis taking into account all factors of non-firm prices and all unconditional discounts.
- 3.3 Points scored will be rounded off to 2 [two] decimal places.
- 3.4 In the event of equal points scored, the Bid will be awarded to the Bidder scoring the highest number of preference points for B-BBEE.

Transnet Request for Quotation No PTH 52844

Respondent's Signature

Date & Company Stamp

- 3.5 However, when functionality is part of the evaluation process and two or more Bids have scored equal points including equal preference points for B-BBEE, the successful Bid will be the one scoring the highest score for functionality.
- 3.6 Should two or more Bids be equal in all respect, the award shall be decided by the drawing of lots.

**"PREVIEW COPY ONLY"**

Transnet Request for Quotation No PTH 52844

Respondent's Signature

Date & Company Stamp

**4. POINTS AWARDED FOR B-BBEE STATUS LEVEL OF CONTRIBUTION**

- 4.1 In terms of the Preferential Procurement Regulations, 2011, preference points shall be awarded to a Bidder for attaining the B-BBEE status level of contribution in accordance with the table below:

4.2

B-BBEE Status Level of Contributor	Number of Points [Maximum 20]
1	20
2	18
3	16
4	12
5	8
6	6
7	4
8	2
Non-compliant contributor	0

- 4.3 Bidders who qualify as EMEs in terms of the 2007 version of the Codes of Good Practice must submit a certificate issued by an Accounting Officer as contemplated in the CCA or a Verification Agency accredited by SANAS or a Registered Auditor. Registered auditors do not need to meet the prerequisite for IRBA's approval for the purpose of conducting verification and issuing EME's with B-BBEE Status Level Certificates.
- 4.4 Bidders who qualify as EMEs in terms of the Revised Codes of Good Practice issued on 11 October 2013 in terms of Government Gazette No. 36928 are only required to obtain a sworn affidavit on an annual basis confirming that the entity has an Annual Total Revenue of R10 million or less and the entity's Level of Black ownership.
- 4.5 In terms of the 2007 version of the Codes of Good Practice, Bidders other than EMEs must submit their original and valid B-BBEE status level verification certificate or a certified copy thereof, substantiating their B-BBEE rating issued by a Registered Auditor approved by IRBA or a Verification Agency accredited by SANAS.
- 4.6 In terms of the Revised Codes of Good Practice issued on 11 October 2013 in terms of Government Gazette No. 36928, Bidders who qualify as QSEs are only required to obtain a sworn affidavit on an annual basis confirming that the entity has an Annual Total Revenue of R50 million or less and the entity's Level of Black ownership. Large enterprises must submit their original and valid B-BBEE status level verification certificate or a certified copy thereof, substantiating their B-BBEE rating issued by a Registered Auditor approved by IRBA or a Verification Agency accredited by SANAS.
- 4.7 A trust, consortium or joint venture will qualify for points for its B-BBEE status level as a legal entity, provided that the entity submits its B-BBEE status level certificate.
- 4.8 A trust, consortium or joint venture will qualify for points for their B-BBEE status level as an unincorporated entity, provided that the entity submits their consolidated B-BBEE scorecard as if they were a group structure and that such a consolidated B-BBEE scorecard is prepared for every separate bid.
- 4.9 Tertiary institutions and public entities will be required to submit their B-BBEE status level

Transnet Request for Quotation No PTH 52844

Respondent's Signature

Date &amp; Company Stamp

certificates in terms of the specialised scorecard contained in the B-BBEE Codes of Good Practice.

- 4.10 A person will not be awarded points for B-BBEE status level if it is indicated in the Bid documents that such a Bidder intends subcontracting more than 25% [twenty-five per cent] of the value of the contract to any other enterprise that does not qualify for at least the same number of points that such a Bidder qualifies for, unless the intended subcontractor is an EME that has the capability and ability to execute the subcontract.
- 4.11 A person awarded a contract may not subcontract more than 25% [twenty-five per cent] of the value of the contract to any other enterprise that does not have an equal or higher B-BBEE status level than the person concerned, unless the contract is subcontracted to an EME that has the capability and ability to execute the subcontract.
- 4.12 Bidders are to note that in terms of paragraph 2.6 of Statement 000 of the Revised Codes of Good Practice issued on 11 October 2013 in terms of Government Gazette No. 36928, any representation made by an entity about its B-BBEE compliance must be supported by suitable evidence or documentation. As such, Transnet reserves the right to request such evidence or documentation from Bidders in order to verify any B-BBEE recognition claimed.

**5. B-BBEE STATUS AND SUBCONTRACTING**

- 5.1 **Bidders who claim points in respect of B-BBEE Status Level of Contribution must complete the following:**

B-BBEE Status Level of Contributor \_\_\_\_\_ = \_\_\_\_\_ [maximum of 20 points]

Note: Points claimed in respect of this paragraph 5.1 must be in accordance with the table reflected in paragraph 4.1 above and must be substantiated by means of a B-BBEE certificate issued by a Verification Agency accredited by SANAS or a Registered Auditor approved by IRBA or a sworn affidavit in the case of an EME or QSE.

- 5.2 **Subcontracting:**

Will any portion of the contract be subcontracted? YES/NO [delete which is not applicable]

If YES, indicate:

- (i) What percentage of the contract will be subcontracted? .....%
- (ii) The name of the subcontractor .....
- (iii) The B-BBEE status level of the subcontractor .....
- (iv) Is the subcontractor an EME? YES/NO

- 5.3 Declaration with regard to Company/Firm

- (i) Name of Company/Firm.....
- (ii) VAT registration number.....
- (iii) Company registration number.....
- (iv) Type of Company / Firm [TICK APPLICABLE BOX]
  - Partnership/Joint Venture/Consortium
  - One person business/sole propriety

Transnet Request for Quotation No PTH 52844

Respondent's Signature

Date & Company Stamp

- Close Corporations
- Company (Pty) Ltd

(v) Describe Principal Business Activities

.....

.....

.....

(vi) Company Classification [TICK APPLICABLE BOX]

- Manufacturer
- Supplier
- Professional Service Provider
- Other Service Providers, e.g Transporter, etc

(vii) Total number of years the company/firm has been in business.....

**BID DECLARATION**

I/we, the undersigned, who warrants that he/she is duly authorised to do so on behalf of the company/firm, certify that points claimed, based on the B-BBEE status level of contribution indicated in paragraph 4 above, qualifies the company/firm for the preference(s) shown and I / we acknowledge that:

- (i) The information furnished is true and correct.
- (ii) In the event of a contract being awarded as a result of points claimed as shown in paragraph 6 above, the contractor may be required to furnish documentary proof to the satisfaction of Transnet that the claims are correct.
- (iii) If the B-BBEE status level of contribution has been claimed or obtained on a fraudulent basis or any of the conditions of contract have not been fulfilled, Transnet may, in addition to any other remedy it may have:
  - (a) disqualify the person from the bidding process;
  - (b) recover costs, losses or damages it has incurred or suffered as a result of that person's conduct;
  - (c) cancel the contract and claim any damages which it has suffered as a result of having to make less favourable arrangements due to such cancellation;
  - (d) restrict the Bidder or contractor, its shareholders and directors, and/or associated entities, or only the shareholders and directors who acted in a fraudulent manner, from obtaining business from Transnet for a period

Transnet Request for Quotation No PTH 52844

Respondent's Signature

Date & Company Stamp

not exceeding 10 years, after the *audi alteram partem* [hear the other side] rule has been applied; and/or  
(e) forward the matter for criminal prosecution.

**WITNESSES:**

- 1. ....
- 2. ....

SIGNATURE OF BIDDER

DATE:.....

CONTACT PERSON:.....

TELEPHONE NUMBER:.....

COMPANY NAME:.....

ADDRESS:.....

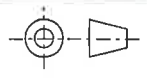
**“PREVIEW COPY ONLY”**

VERSION INFO  
MATERIAL  
TOLERANCE  
DIMENSIONS

SCALE : 1 : 2  
ITEM NO

Digitally signed by  
Ronnie Langley  
Date: 2012.11.22  
12:12:44 +02'00'

Digitally signed by  
John Kanne Meyer  
Date: 2013.02.15  
12:27:56 +02'00'



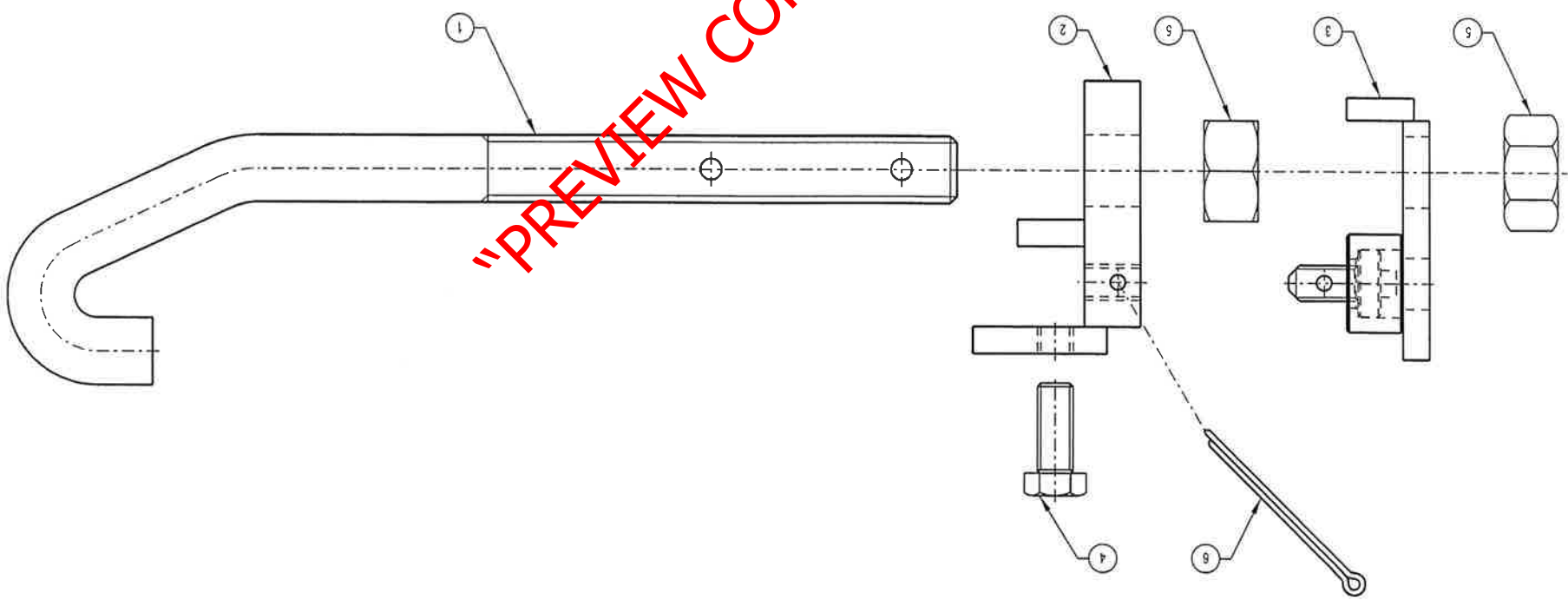
# ANTI-THEFT UNIVERSAL POINTS CLAMP ASSEMBLY

**TRANSET**  
freight rail

BBF7984  
VERSION 1

ITEM NO	DESCRIPTION	QTY	STORES ITEM NO	DRAWING NO
1	Bottom main rod	1	-	BBF7997
2	Guide plate assembly	1	-	BBF7998
3	Lock plate assembly	1	-	BBF7999
4	Screw, Steel, Electroplated, Hex. head, M16 x 40 long	1	-	-
5	Nut, Steel, Electroplated, Hex, M30	2	-	-
6	Split Cotter Pin ø5 x 75 long	1	-	-

© COPYRIGHT PROTECTED. PREPARED BY CENTRAL DRAWING OFFICE



**"PREVIEW COPY ONLY"**

ANNEXUE "B"



Annexure "B"

© COPYRIGHT PROTECTED, PREPARED BY CENTRAL DRAWING OFFICE

DIMENSIONS : mm  
SCALE : 1 : 2  
TOLERANCE : LINA 2 ANG 1° ITEM NO :-  
MATERIAL : Round bar, Steel, ø30 x 496 long  
VERSION INFO :-

Digitally signed by  
Ronnie Langley  
Date: 2012.11.22  
12:14:54 +02'00'

Digitally signed by  
John kannemeyer  
Date: 2013.02.15  
12:28:17 +02'00'

BOTTOM MAIN ROD  
ANTI-THEFT UNIVERSAL POINTS CLAMP



BBF7997  
VERSION 1

A4

CHECKED: J.D. van Dyk

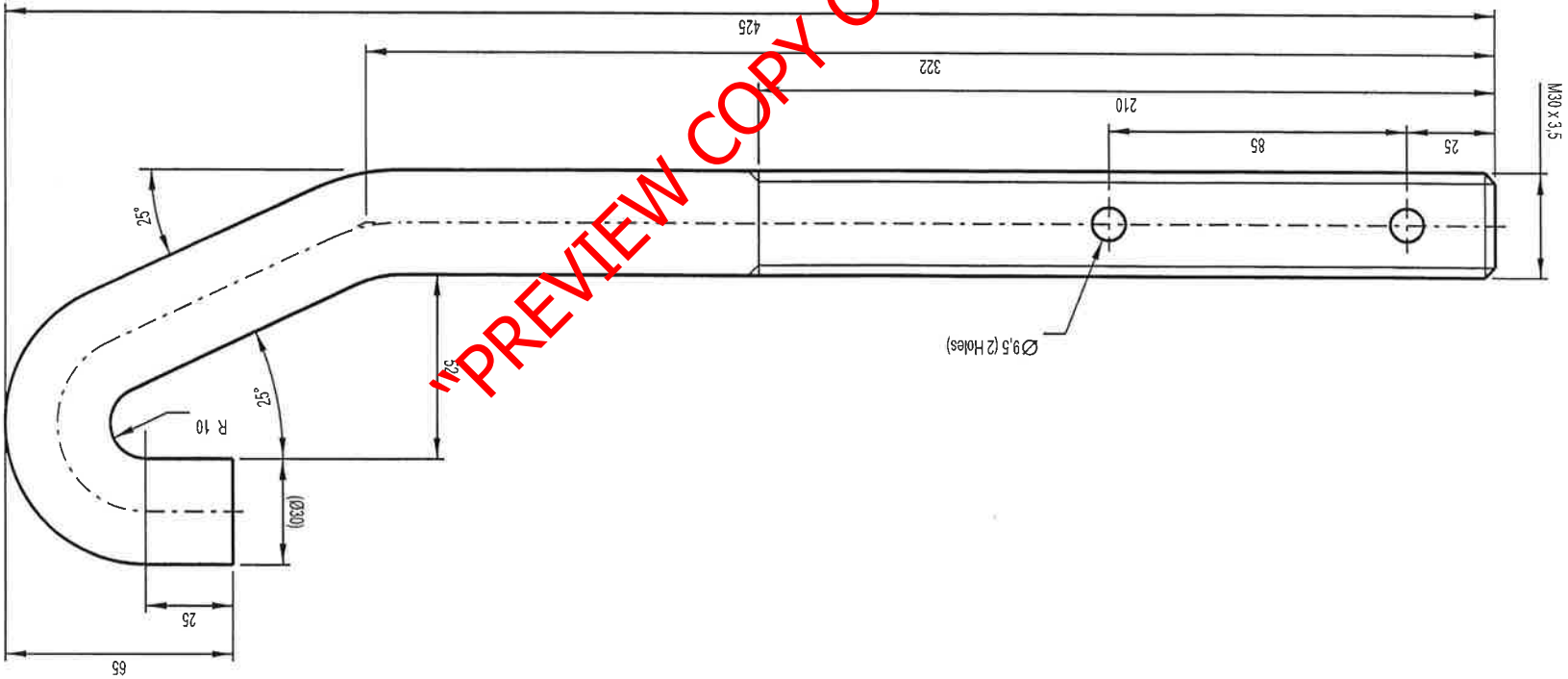
DESIGNED: -

DRAWN: D.A. Ballabio

ECP REF: -

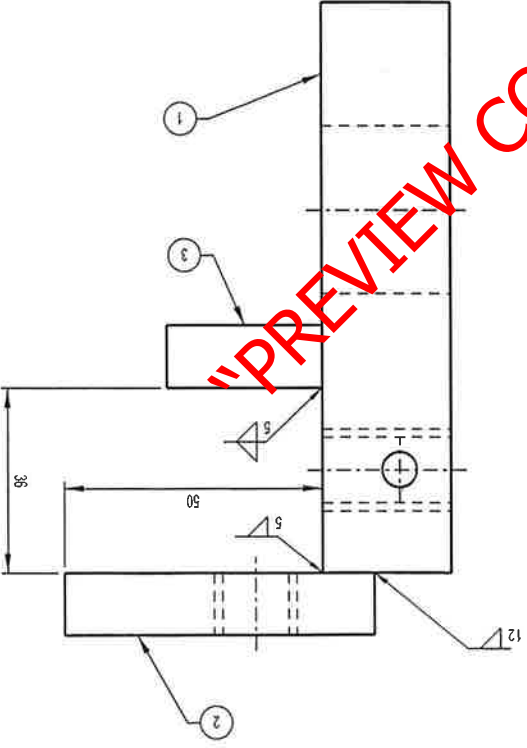
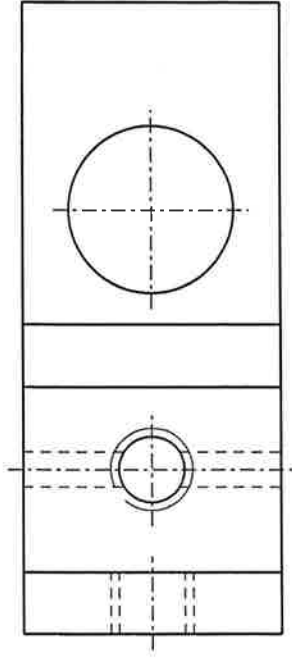
DO REF: CDO/7824

- Finish
1. Apply one coat Red Oxide to Specification CSE-1133-052 CAT C98 .
  2. Apply one coat Black enamel to Specification CSE-1133-052 CAT C98 .



PREVIEW COPY ONLY

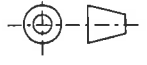
Antiekruis "B"



Finish

1. Apply one coat Red Oxide to Specification CSE-1133-052 CAT C98
2. Apply one coat Black enamel to Specification CSE-1133-052 CAT C98

© COPYRIGHT PROTECTED. PREPARED BY CENTRAL DRAWING OFFICE



ITEM NO	DESCRIPTION	QTY	STORES ITEM NO	DRAWING NO
3	Plate, Steel, 50 x 30 x 12 thick	1	-	-
2	Guide top plate	1	-	BBF8001
1	Guide end plate	1	-	BBF8002

DIMENSIONS : mm  
 TOLERANCE : LINF 1 ANG 1  
 SCALE : 1 : 1  
 ITEM NO : -  
 ECP REF : -

Digitally signed by Ronnie Langley  
 Date: 2012.11.22  
 12:15:20 +02'00'

Digitally signed by John Kannemeyer  
 Date: 2013.02.15  
 12:28:38 +02'00'

GUIDE PLATE ASSEMBLY  
 ANTI-THEFT UNIVERSAL POINTS CLAMP

TRANSETT  
 freight rail  
 BBF7998  
 VERSION 1  
 A3

VERSION INFO  
MATERIAL  
TOLERANCE  
DIMENSIONS

SCALE  
ITEM NO.  
ANG 1  
LINF 1  
mm

Digitally signed by  
Ronnie Langley  
Date: 2012.11.22  
12:15:47 +02'00'

APPROVED

Digitally signed by  
John Kannemeyer  
Date: 2013.02.15  
12:29:02 +02'00'

AUTHORISED

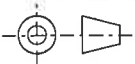
# LOCK PLATE ASSEMBLY ANTI-THEFT UNIVERSAL POINTS CLAMP

BBF7999  
VERSION 1



A3

© COPYRIGHT PROTECTED. PREPARED BY CENTRAL DRAWING OFFICE

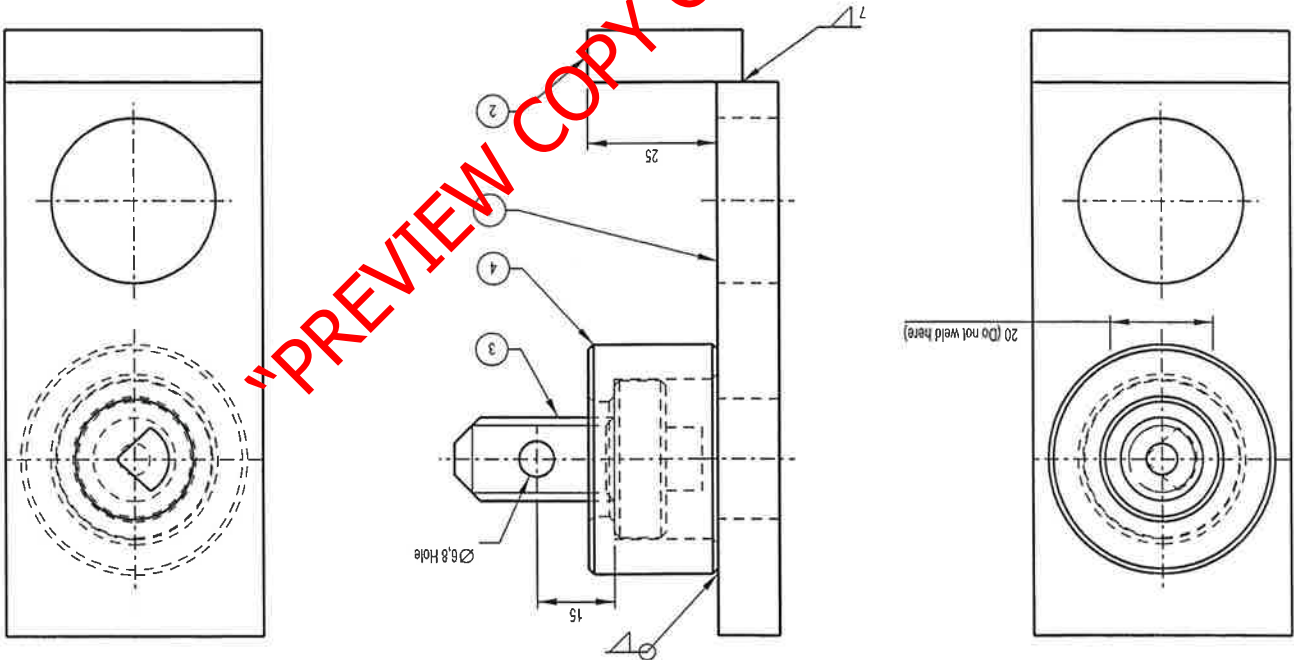


ITEM NO	DESCRIPTION	QTY	STORES ITEM NO	DRAWING NO
1	Lock bolt end plate	1	-	BBF8000
2	Plate, Steel, 50 x 30 x 10 thick	1	-	-
3	Lock bolt (To be obtained from Seacant Engineering)	1	-	-
4	Lock bolt housing (To be obtained from Seacant Engineering)	1	-	-

Finish

1. Apply one coat Red Oxide to Specification CSE-1133-056 CAT C98
2. Apply one coat Black enamel to Specification CSE-1133-052 CAT C98

**PREVIEW COPY ONLY**



Anne x u l e " 8 "

DIMENSIONS : mm  
 TOLERANCE : LINE 1 ANG 1 ITEM NO :  
 MATERIAL : Plate, Steel, 107 x 50 x 12 thick  
 VERSION INFO :-

APPROVED  
 Digitally signed by  
 Ronnie Langley  
 Date: 2012.11.22  
 12:16:13 +02'00'

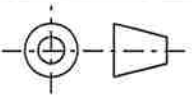
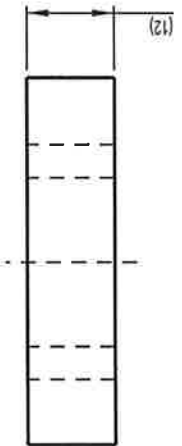
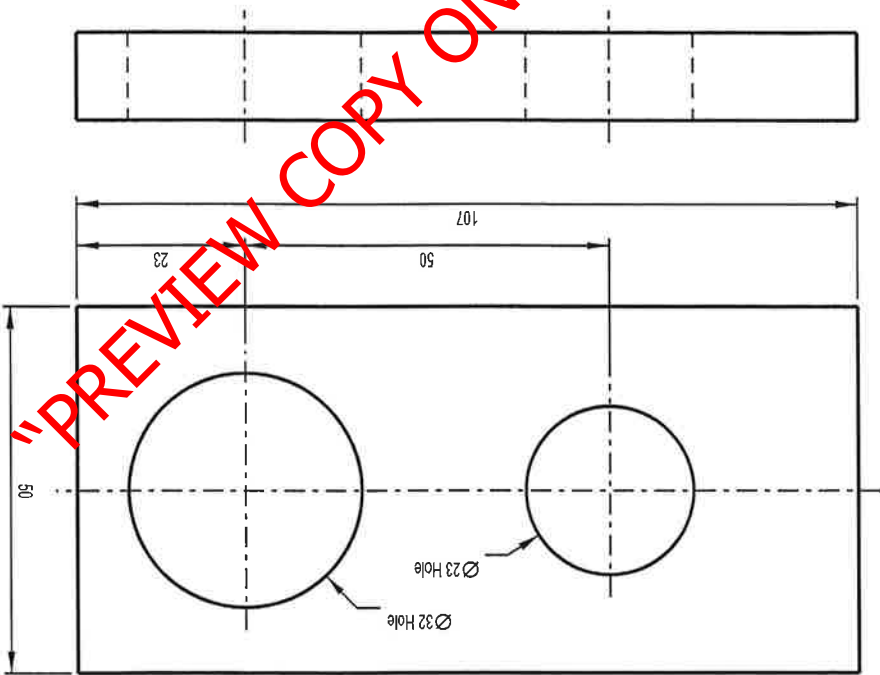
AUTHORISED  
 Digitally signed by  
 John Kannemeyer  
 Date: 2013.02.15  
 12:29:27 +02'00'

LOCK BOLT END PLATE  
 ANTI-THEFT UNIVERSAL POINTS CLAMP

TRANSNET  
 freight rail  
 BBF8000  
 VERSION 1  
 A4

© COPYRIGHT PROTECTED. PREPARED BY CENTRAL DRAWING OFFICE

"PREVIEW COPY ONLY"



Annexure "B"

DIMENSIONS : mm  
 SCALE : 1 : 1  
 TOLERANCE : LIN#1 ANG# ITEM NO.:  
 MATERIAL : Plate, Steel, 60 x 50 x 12 thick  
 VERSION INFO : -

APPROVED  
 Digitally signed by  
 Ronnie Langley  
 Date: 2012.11.22  
 12:16:49 +02'00'

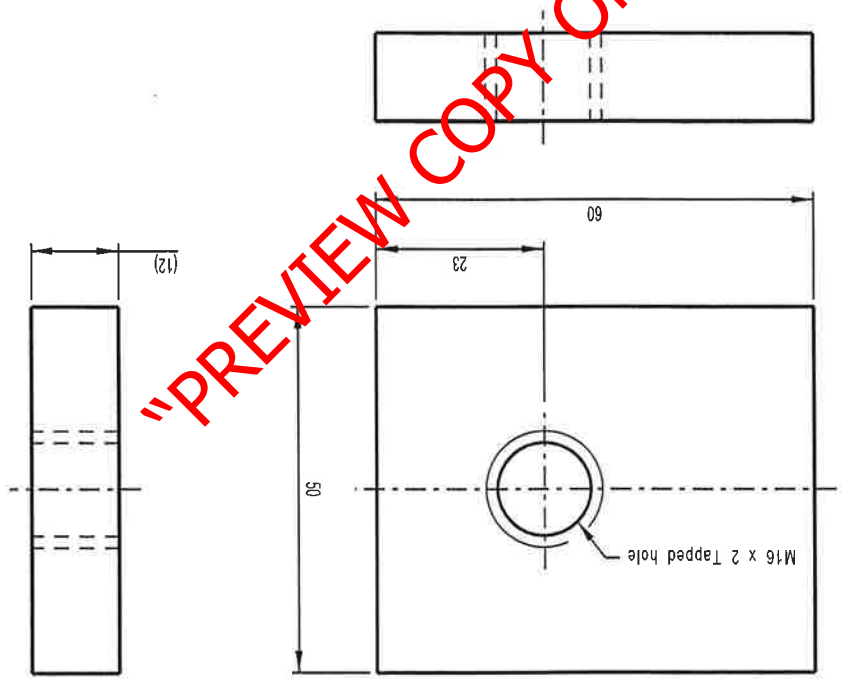
AUTHORIZED  
 Digitally signed by  
 John Kannemeyer  
 Date: 2013.02.15  
 12:29:50 +02'00'

GUIDE TOP PLATE  
 ANTI-THEFT UNIVERSAL POINTS CLAMP

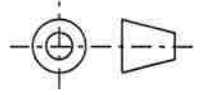
TRANSET  
 freight roll  
 BBF8001  
 VERSION 1

A4

© COPYRIGHT PROTECTED. PREPARED BY CENTRAL DRAWING OFFICE



"PREVIEW COPY ONLY"



Handwritten text: "Aunexyle" B"

DIMENSIONS : mm  
 SCALE : 1 : 1  
 TOLERANCE : LINF 1 ANG - ITEM NO :  
 MATERIAL : Plate, Steel, 110 x 50 x 25 thick  
 VERSION INFO : -

APPROVED  
 Digitally signed by  
 Ronnie Langley  
 Date: 2012.11.22  
 12:17:14 +02'00'

AUTHORIZED  
 Digitally signed by  
 John Kannemeyer  
 Date: 2013.02.15  
 12:30:17 +02'00'

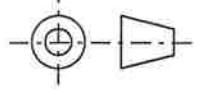
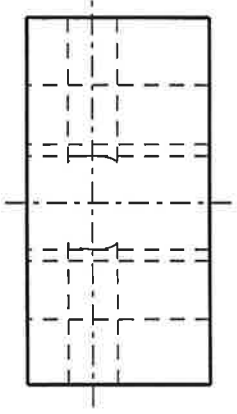
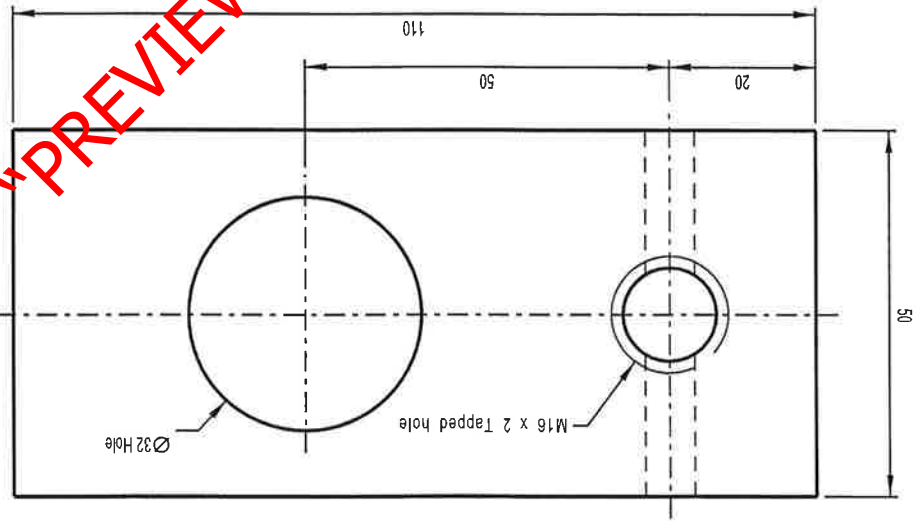
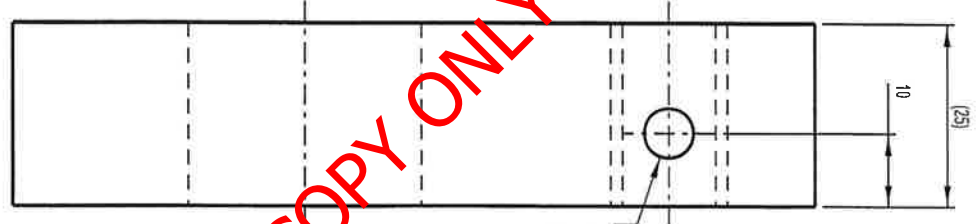
GUIDE END PLATE  
 ANTI-THEFT UNIVERSAL POINTS CLAMP

TRANSNET  
 freight rail  
 BBF8002  
 VERSION 1

A4

© COPYRIGHT PROTECTED. PREPARED BY CENTRAL DRAWING OFFICE

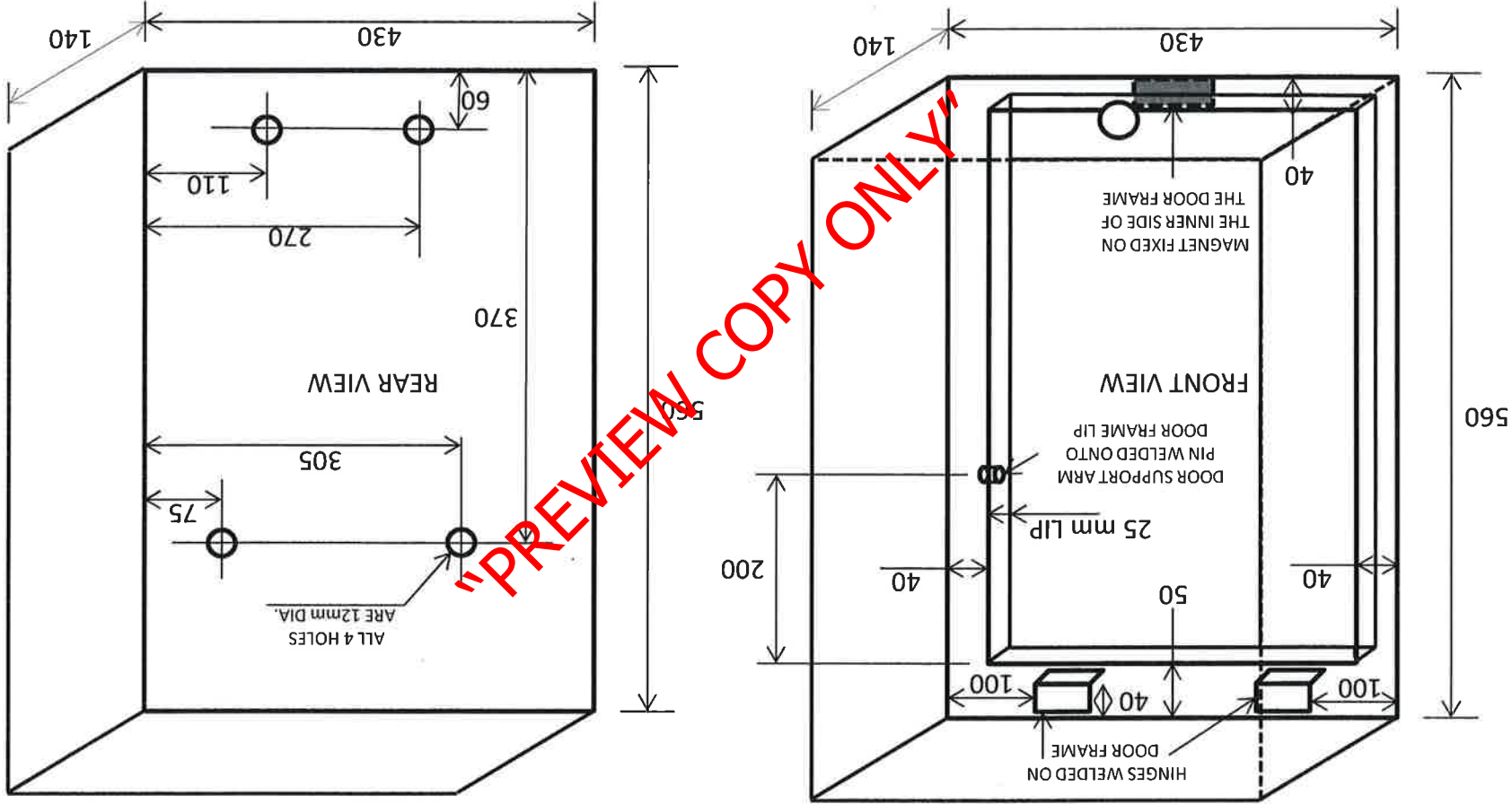
"PREVIEW COPY ONLY"



Annexure "B"

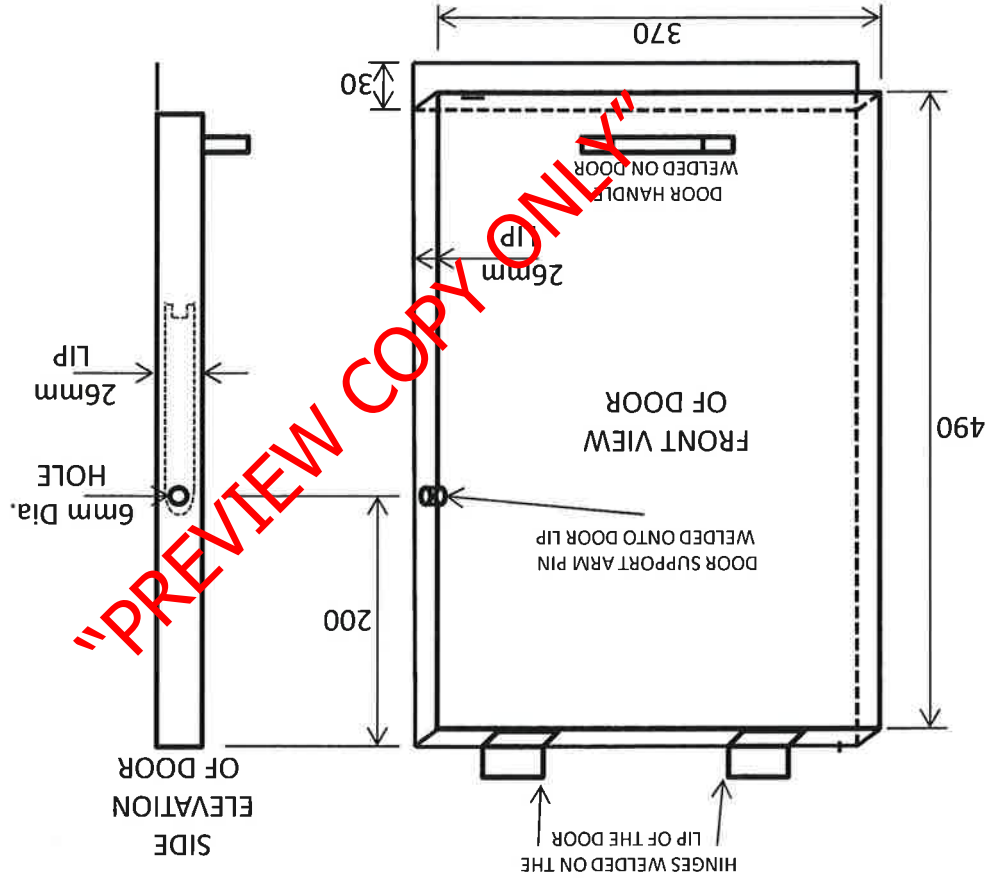
Handwritten "C" "C"

**GALVANISED CRANK HANDLE BOX WITH DOOR**



Annex 11 "c"

**GALVANIZED CRANK HANDLE BOX WITH DOOR**



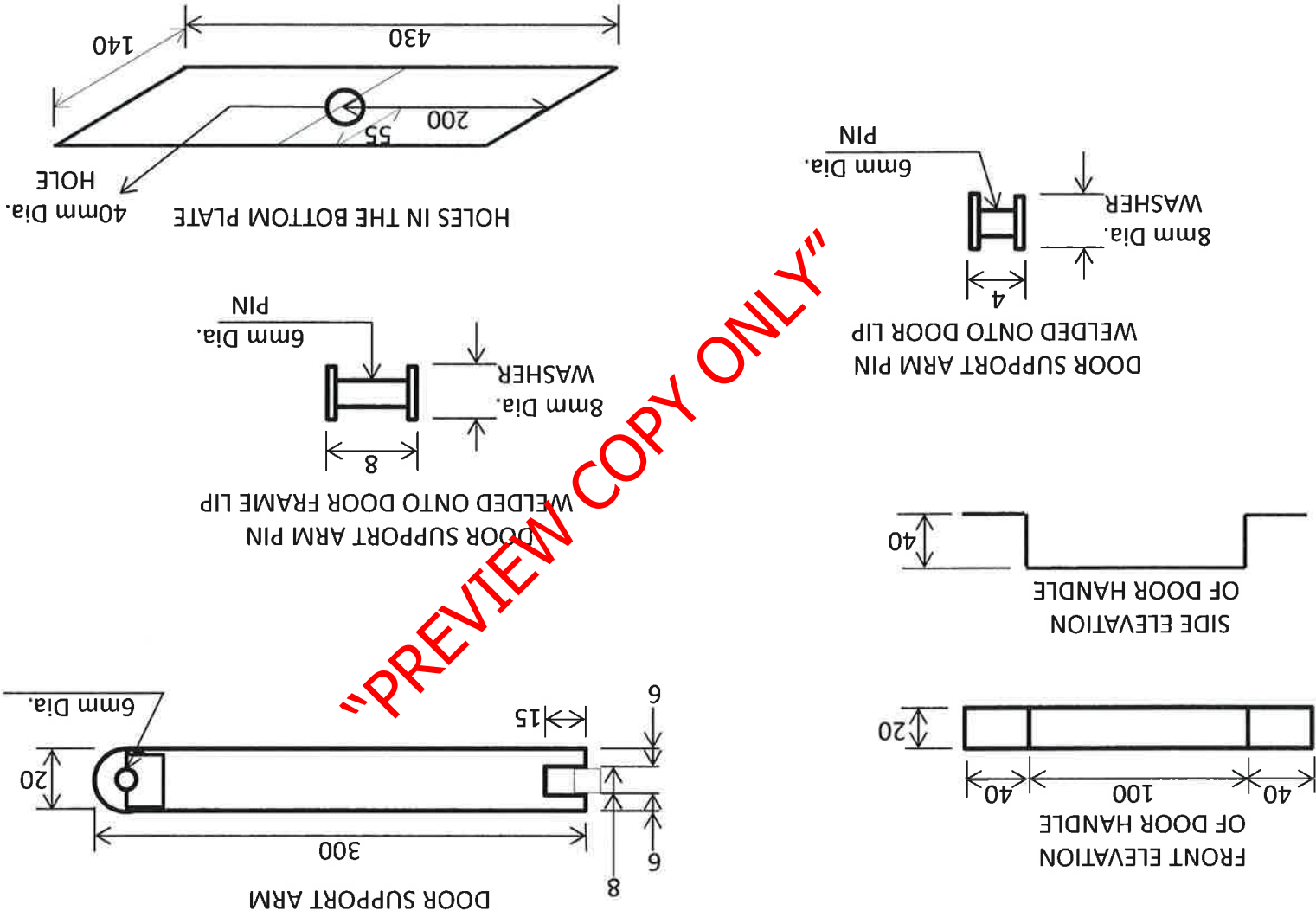
6mm Dia.  
PIN

DRAWING 2



Annexure "C"

**GALVANIZED CRANK HANDLE BOX WITH DOOR**



Handle "C"

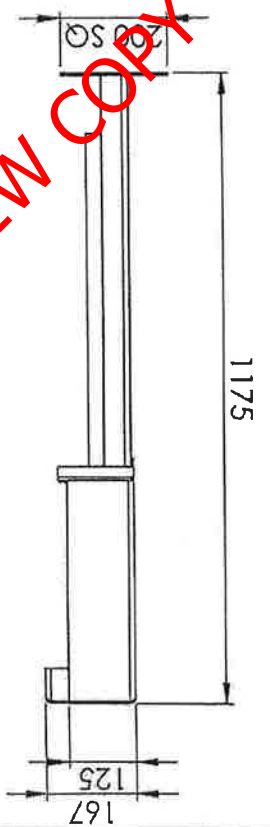
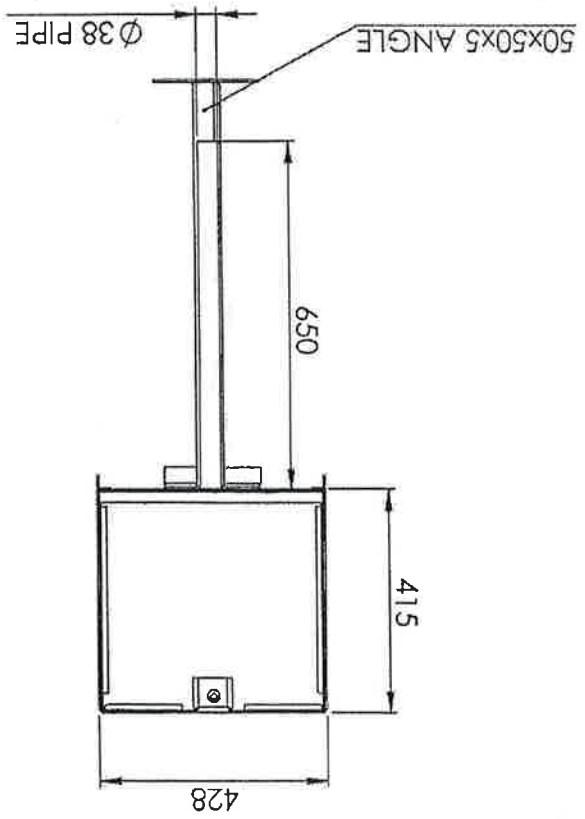
**GALVANIZED CRANK HANDLE BOX WITH DOOR**

1. THICKNESS OF MILD STEEL PLATE FOR BOX WITH DOOR IS 2MM.
2. THICKNESS OF MILD STEEL PLATE FOR DOOR HANDLE IS 2MM.
3. THICKNESS OF MILD STEEL PLATE FOR DOOR SUPPORT ARM IS 2MM.
4. ALL MATERIAL ARE MILD STEEL PLATE 2MM.
5. COMPLETE BOX, DOOR AND ASSESORIES MUST BE HOT DIP GALVANIZED.
6. FIT DOOR SUPPORT ARM INTO DOOR SUPPORT ARM PIN BEFORE WELDING PIN ONTO THE DOOR LIP.
7. THE DOOR MUST OPEN AND SUPPORTED AT 90 DEGREES.
8. PAINT PLASCON STRONTIUM PRIMER OR SIMILAR ONTO THE HOT DIP GALVANISING.
9. FINAL COAT PAINT PLASCON 2K SATIN BLACK OR SIMILAR.

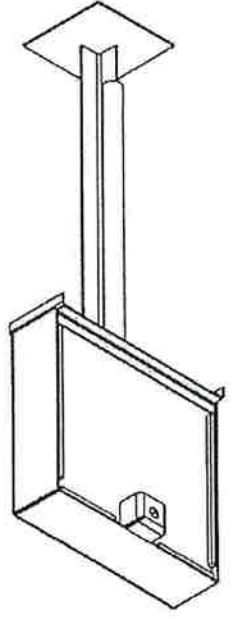
"PREVIEW COPY ONLY"

ANNEXURE "D"

Technology Management  
 Preliminary Approval until 31/12/2012  
 signed: *[Signature]*  
 Mr. J.G. Kannemeyer  
 Principal Engineer



ML Tuning Unit Trakside Box  
 Single ~ fitted with, TFR  
 Technology Management  
 approved, anti vandalism locking  
 mechanism

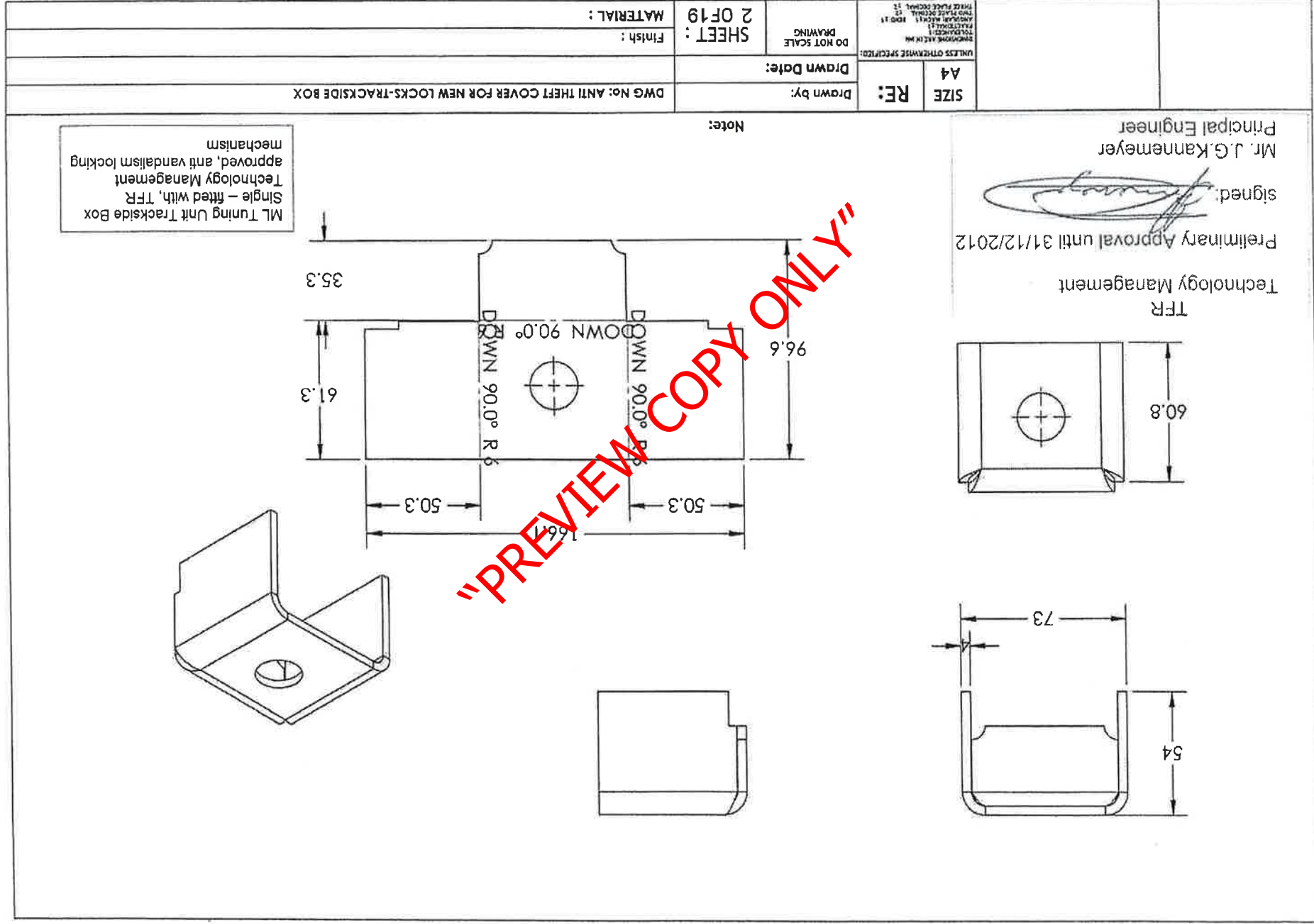


ITEM NO.	PART NUMBER	DESCRIPTION	Default/ QTY.
1	BOX ASSEM		1
2	DOOR ASSEM		1
3	STAND ASSEM		1

Note: BOX TO BE HOT DIP GALVANIZED

SIZE A4	RE:	Drawn by:	DWG No: MAIN ASSEM
		Drawn Date:	
DO NOT SCALE DRAWING		SHEET : 1 OF 19	MATERIAL : Finish :
UNLESS OTHERWISE SPECIFIED			

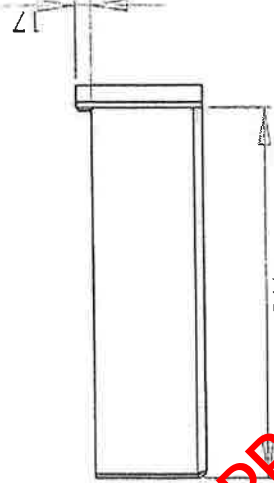
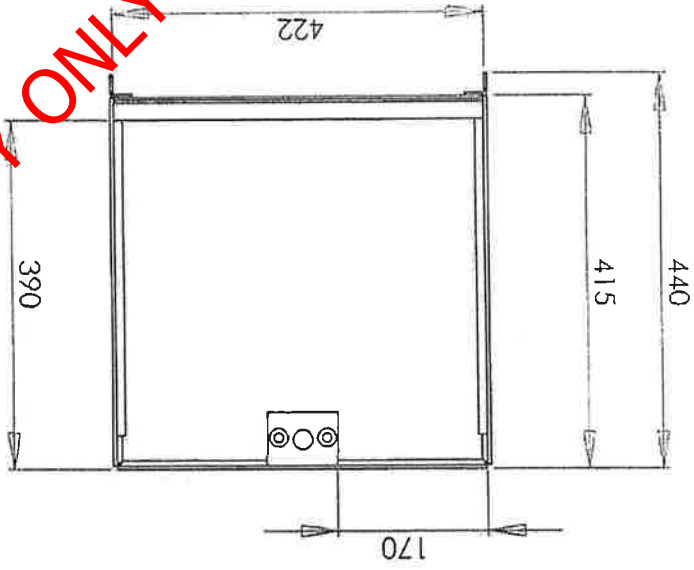
Approx x 4.0" 0"



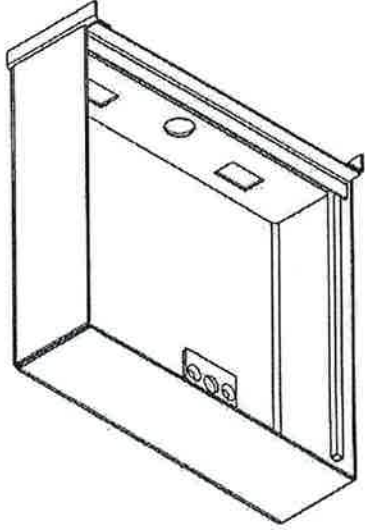
DWG No: ANTI THEFT COVER FOR NEW LOCKS-TRACKSIDE BOX		RE: SIZE	A4	UNLESS OTHERWISE SPECIFIED:	THIRD ANGLE PROJECTION FIRST ANGLE PROJECTION TOLERANCES DIMENSIONS ARE IN MM
Drawn by:		RE: SIZE	A4	UNLESS OTHERWISE SPECIFIED:	THIRD ANGLE PROJECTION FIRST ANGLE PROJECTION TOLERANCES DIMENSIONS ARE IN MM
Drawn Date:		DO NOT SCALE DRAWING		SHEET : 2 OF 19	
Finish :		MATERIAL :			

Annexure "D"

ML-SINGLE TRACKSIDE BOX  
BOX ASSEM




ML Tuning Unit Trackside Box  
Single - fitted with, TFR  
Technology Management  
approved, anti vandalism locking  
mechanism



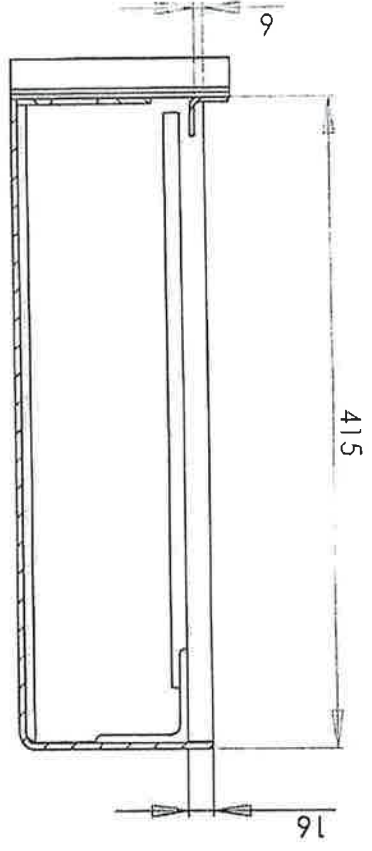
ITEM NO.	PART NUMBER	DESCRIPTION	QTY.
1	MAIN BOX		1
2	MAIN BOX-BASE		1
3	25X25X3 ANGLE BOTTOM		1
4	25X25X3 ANGLE SIDES (2-SET)		2
5	10X10X3/0 LONG SQUARE BAR		2
6	440V ANGLE LOCK		1

Sheet  
3 of 19

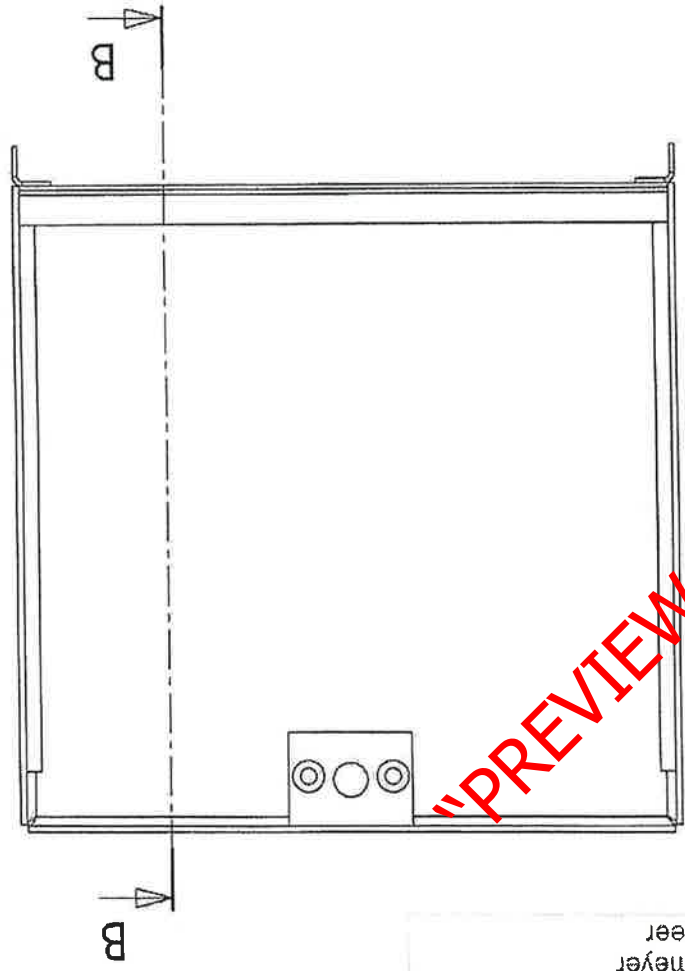
TFR  
Technology Management  
Preliminary Approval until 31/12/2012  
signed:   
Mr. J. G. Kannemeyer  
Principal Engineer

Annex 4 "a"

ML-SINGLE TRACKSIDE BOX  
BOX ASSEM



ML Tuning Unit Trackside Box  
 Single - fitted with, TFR  
 Technology Management  
 approved, anti vandalism locking  
 mechanism



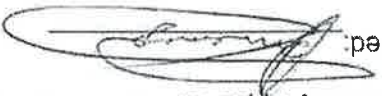
TFR  
 Technology Management  
 Preliminary Approval until 31/12/2012  
 signed: *[Signature]*  
 Mr. J.G. Kannemeyer  
 Principal Engineer

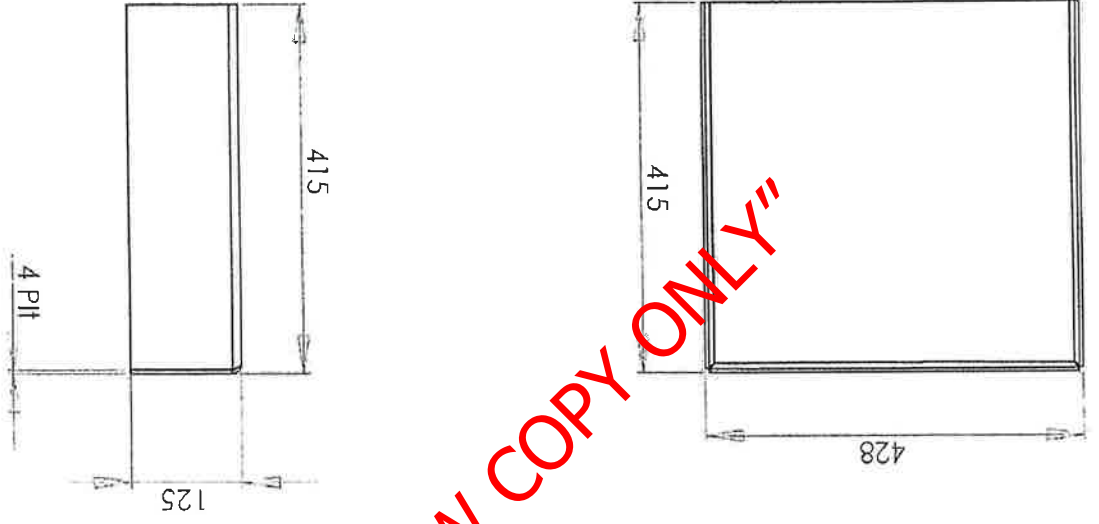
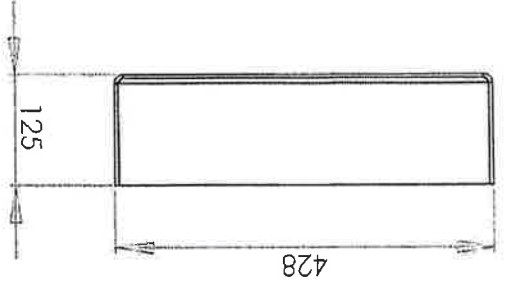
SECTION B-B

"PREVIEW COPY ONLY"

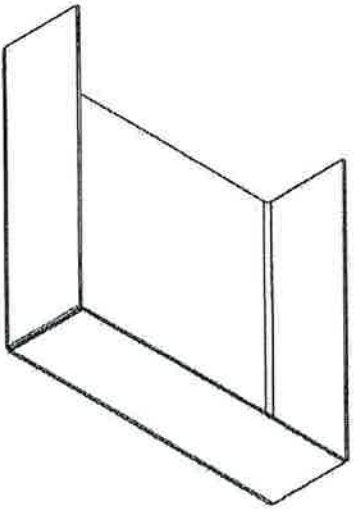
Annexure "D"

ML-SINGLE TRACKSIDE BOX  
MAIN BOX

TFR  
Technology Management  
Preliminary Approval until 31/12/2012  
signed:   
Mr. J.G. Kannemeyer  
Principal Engineer



ML Tuning Unit Trackside Box  
Single - fitted with, TFR  
Technology Management  
approved, anti vandalism locking  
mechanism




ANNEKURT "O"

ML-SINGLE TRACKSIDE BOX  
MAIN BOX



Sheet  
6 of 19

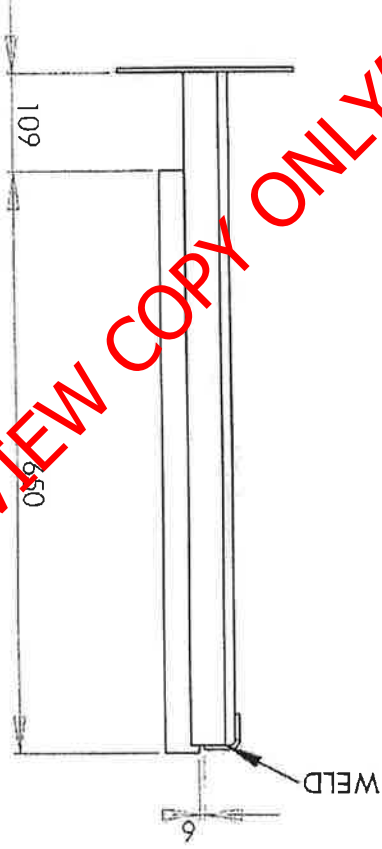
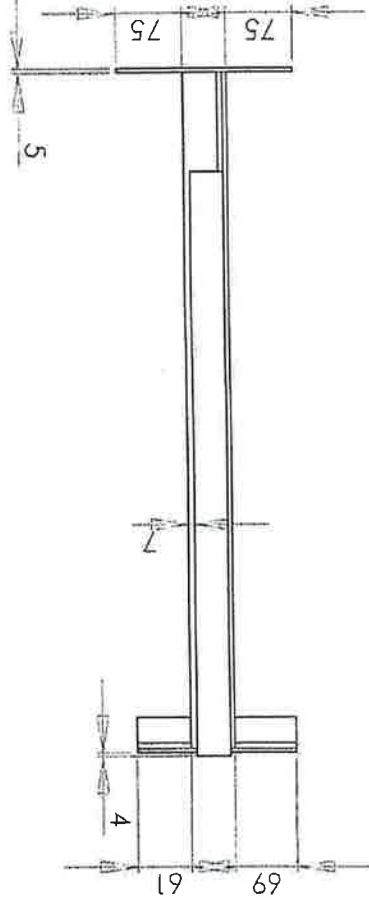
ML Tuning Unit Trackside Box  
Single - fitted with, TFR  
Technology Management  
approved, anti vandalism locking  
mechanism

TFR  
Technology Management  
Preliminary Approval until 31/12/2012  
signed:   
Mr. J.G. Kannemeyer  
Principal Engineer

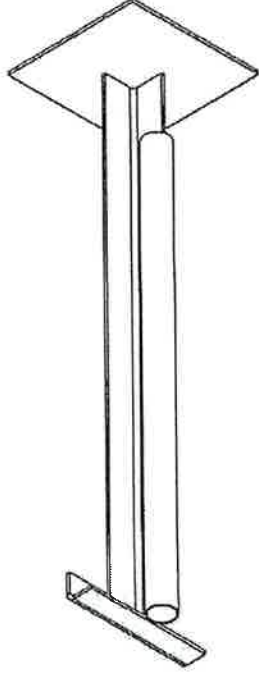



Anne x 1/2 " O "

ML-SINGLE TRACKSIDE BOX  
STAND ASSEM



ML Tuning Unit Trackside Box  
Single - fitted with, TFR  
Technology Management  
approved, anti vandalism locking  
mechanism

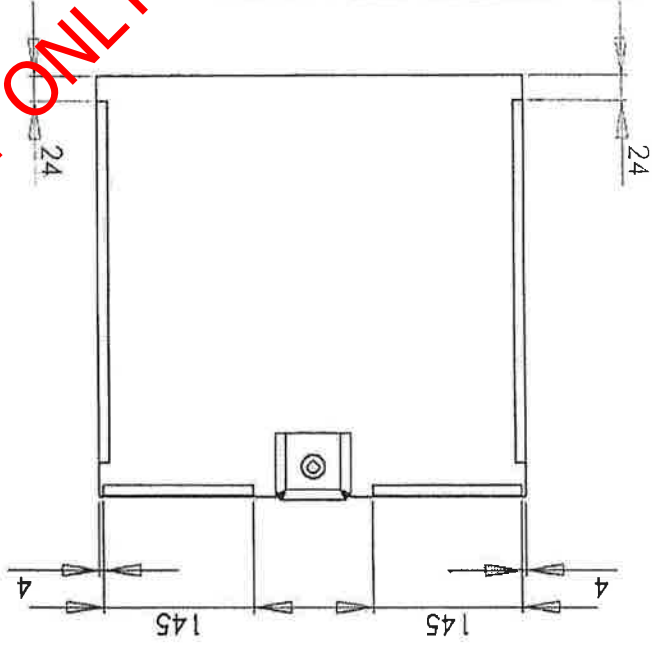


TFR  
Technology Management  
Preliminary Approval until 31/12/2012  
signed:   
Mr. J. G. Kannemeyer  
Principal Engineer

ITEM NO.	PART NUMBER	DESCRIPTION	QTY.
1	40x40x5 ANGLE SUPPORT BRKT		1
2	50x50x5 ANGLE UPRIGHT		1
3	CABLE PIPE		1
4	BASE PTH		1

Handwritten note: "0" 1/2"

ML-SINGLE TRACKSIDE BOX  
DOOR ASSEM

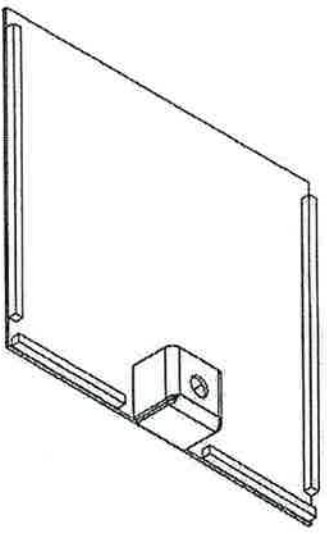


TFR  
Technology Management  
Preliminary Approval until 31/12/2012  
signed: *[Signature]*  
Mr. J.G.Kannemeyer  
Principal Engineer

Sheet 8 of 19

ITEM NO.	PART NUMBER	DESCRIPTION	QTY.
1	DOOR		1
2	DOOR SUPPORTS 145 LONG		2
3	DOOR SUPPORTS 345 LONG		2
4	ANTI-THEFT BOLT		1
5	ANTI-THEFT BUSH- 40MM FOR SCREW		1
6	ANTI-THEFT COVER FOR NEW LOCK R02		1

ML Tuning Unit Trackside Box  
Single -- fitted with, TFR  
Technology Management  
approved, anti vandalism locking  
mechanism

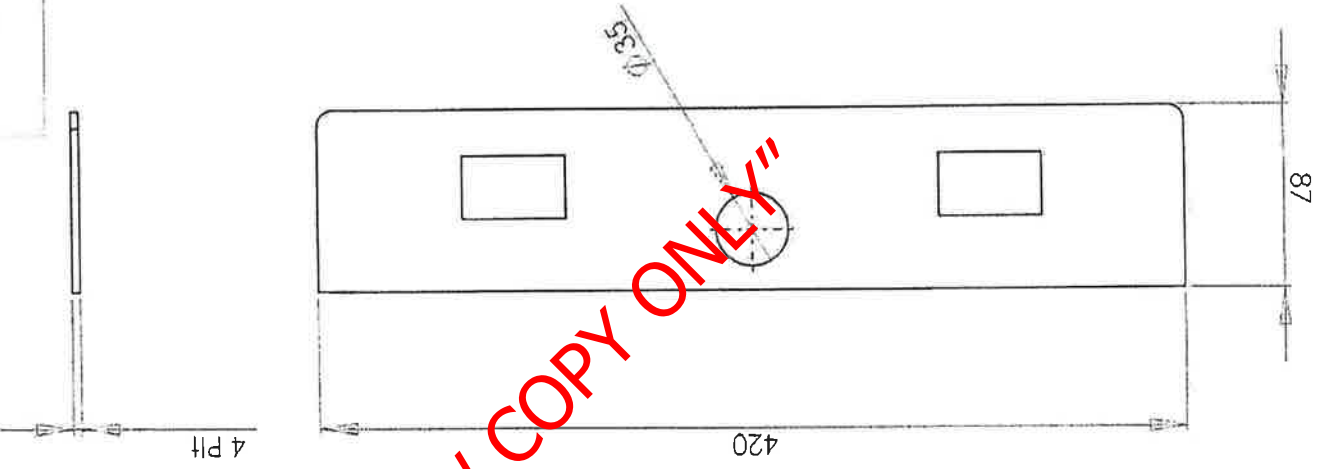


PREVIEW COPY ONLY

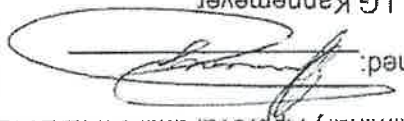
Annexure "D"

ML-SINGLE TRACKSIDE BOX  
MAIN BOX-BASE  
1/SET

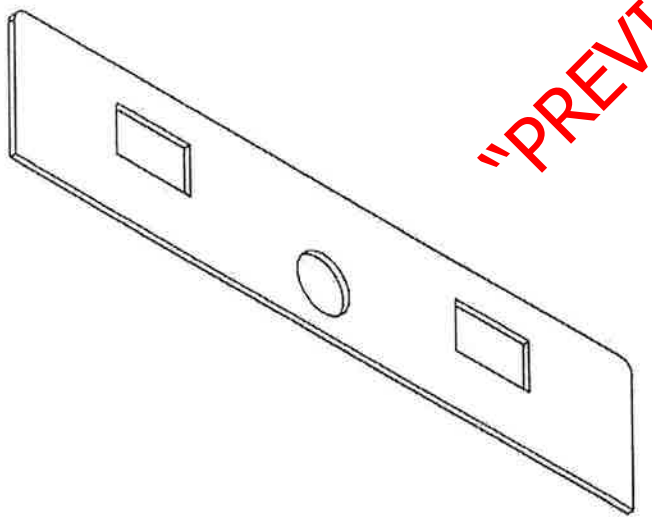
**"PREVIEW COPY ONLY"**



Sheet  
9 of 19

TFR  
Technology Management  
Preliminary Approval until 31/12/2012  
signed:   
Mr. J.G. Kannemeyer  
Principal Engineer

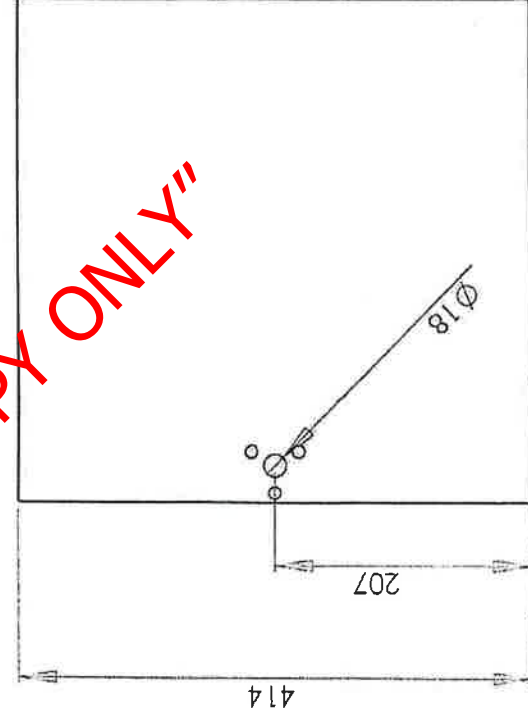
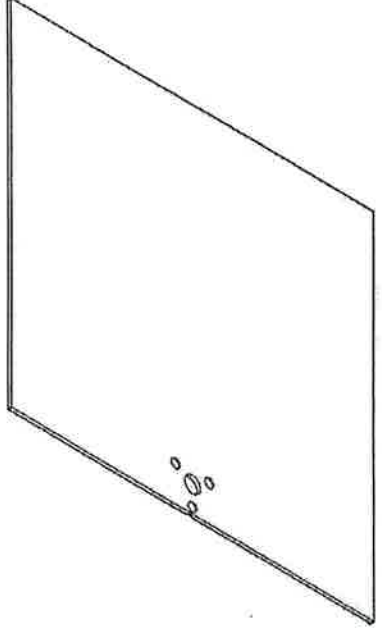
ML Tuning Unit Trackside Box  
Single - fitted with, TFR  
Technology Management  
approved, anti vandalism locking  
mechanism




Annexure "D"

ML-SINGLE TRACKSIDE BOX  
DOOR  
1/SET

ML Tuning Unit Trackside Box  
Single - fitted with, TFR  
Technology Management  
approved, anti vandalism locking  
mechanism

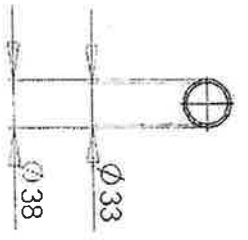
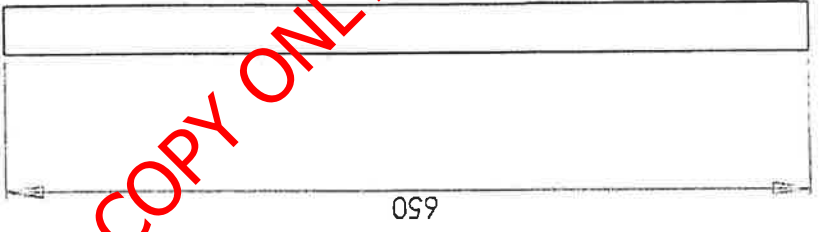


"PREVIEW COPY ONLY"

TFR  
Technology Management  
Preliminary Approval until 31/12/2012  
signed:   
Mr. J.G. Kannemeyer  
Principal Engineer

Flange x u/c "Ø"

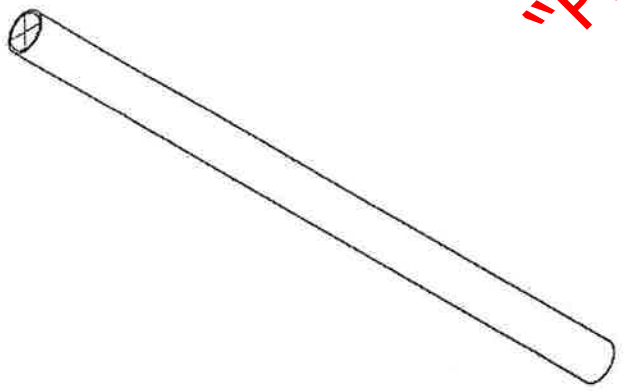
ML-SINGLE TRACKSIDE BOX  
CABLE PIPE  
1/SET



ML Tuning Unit Trackside Box  
Single -- fitted with, TFR  
Technology Management  
approved, and vandalism locking  
mechanism

TFR  
Technology Management  
Preliminary Approval until 31/12/2012  
signed  
Mr. J. G. Kannemeyer  
Principal Engineer

"PREVIEW COPY ONLY"

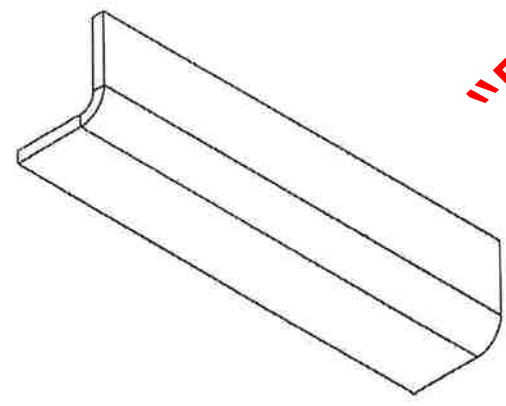
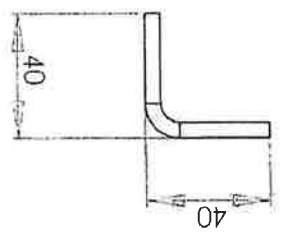
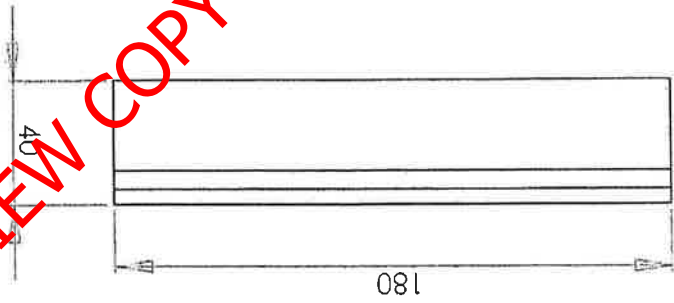
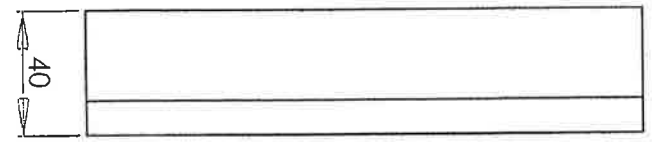



ANNEXURE "D"

ML-SINGLE TRACKSIDE BOX  
40X40X5 ANGLE SUPPORT BRKT  
STANDARD ANGLE IRON  
1/SET

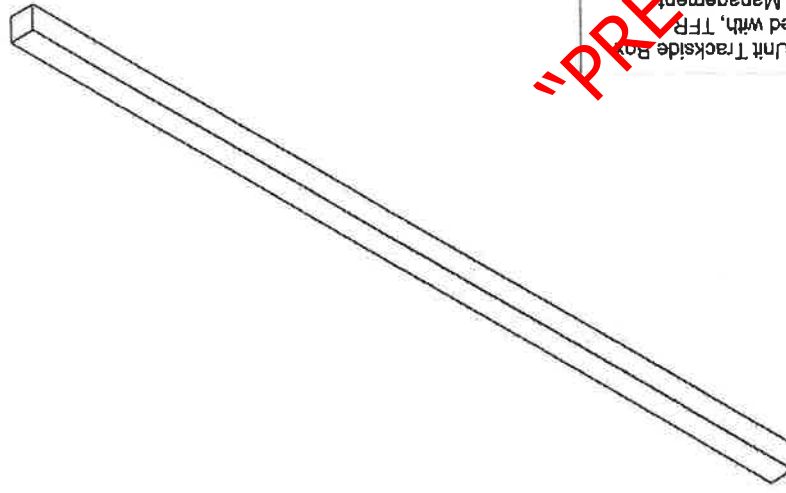
ML Tuning Unit Trackside Box  
Single -- fitted with, TFR  
Technology Management  
approved, anti vandallism locking  
mechanism

Sheet  
12 of 19



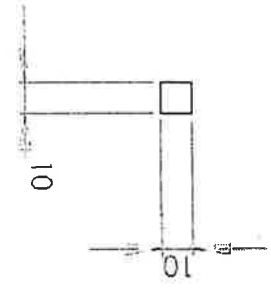
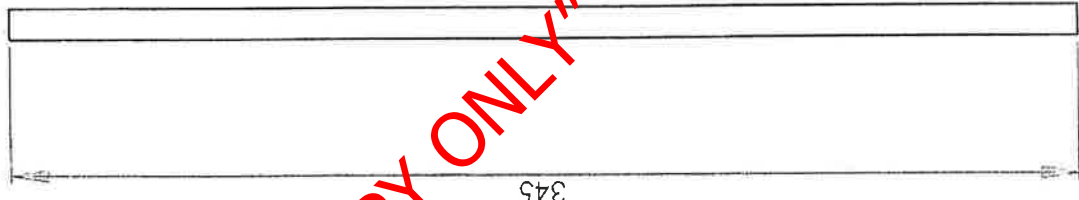
TFR  
Technology Management  
Preliminary Approval until 31/12/2012  
signed:   
Mr. J. G. Kannemeyer  
Principal Engineer

ANNE X U A E " O "




ML Tuning Unit Trackside Box  
Single - fitted with, TFR  
Technology Management  
approved, anti vandalism locking  
mechanism

"PREVIEW COPY ONLY"



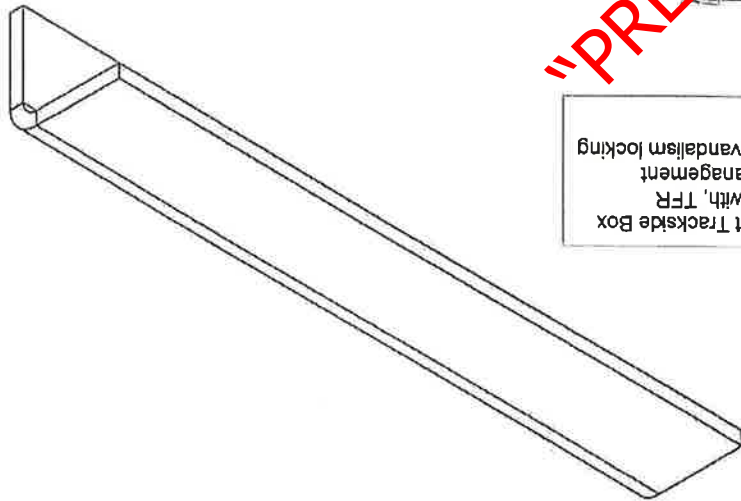
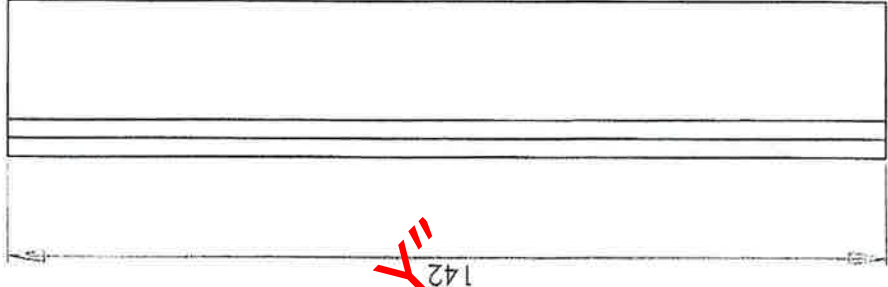
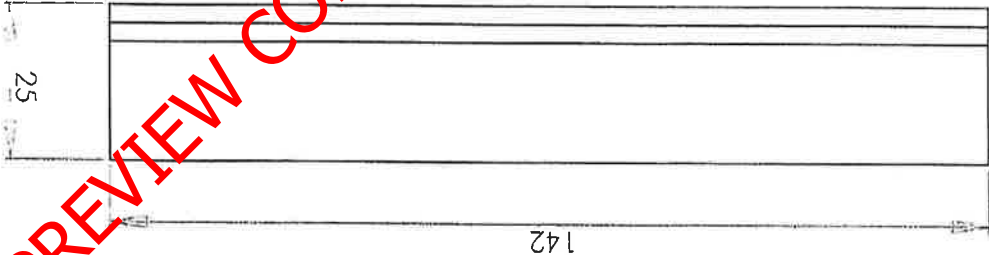
ML-SINGLE TRACKSIDE BOX  
DOOR SUPPORTS 345 LONG  
10X10 SQUARE BAR

TFR  
Technology Management  
Preliminary Approval until 31/12/2012  
signed:   
Mr. J.G. Kannemeyer  
Principal Engineer

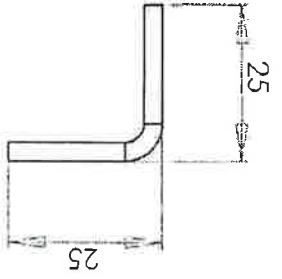
Anne xube "D"

ML-SINGLE TRACKSIDE BOX  
25X25X3 ANGLE SIDES (2-SET)  
STANDARD ANGLE IRON  
2/SET

ML Tuning Unit Trackside Box  
Single - fitted with TFR  
Technology Management  
approved, anti vandalism locking  
mechanism



TFR  
Technology Management  
Preliminary Approval until 31/12/2012  
signed: *[Signature]*  
Mr. J. G. Kannemeyer  
Principal Engineer



"PREVIEW COPY ONLY"

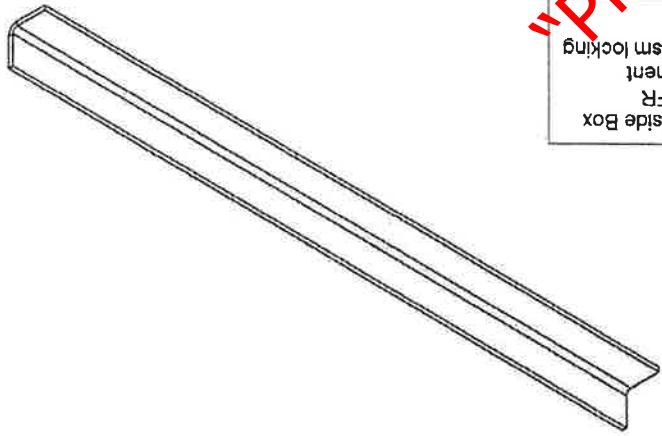
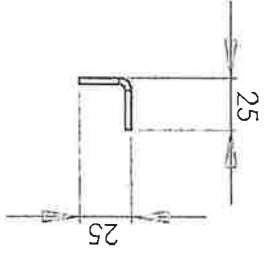
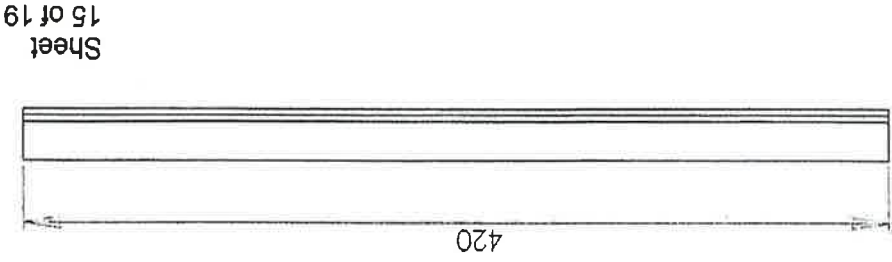
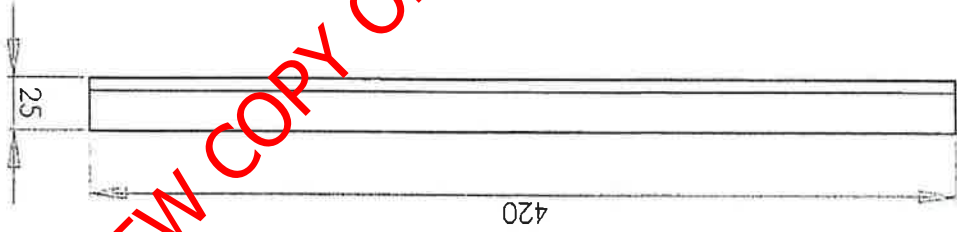


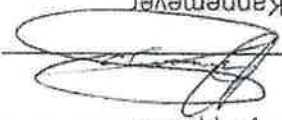
Hersteller "o"

ML-SINGLE TRACSIDE BOX  
25X25X3 ANGLE BOTTOM  
STANDARD ANGLE IRON  
1/SET

ML Tuning Unit Tracside Box  
Single -- fitted with, TFR  
Technology Management  
approved, anti vandalism locking  
mechanism

"PREVIEW COPY ONLY"

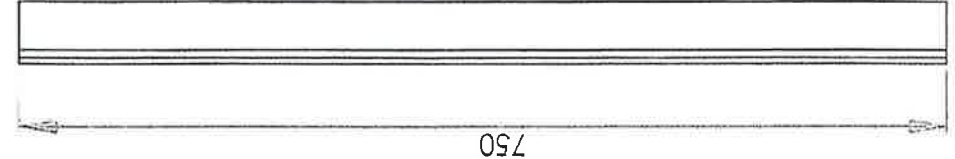
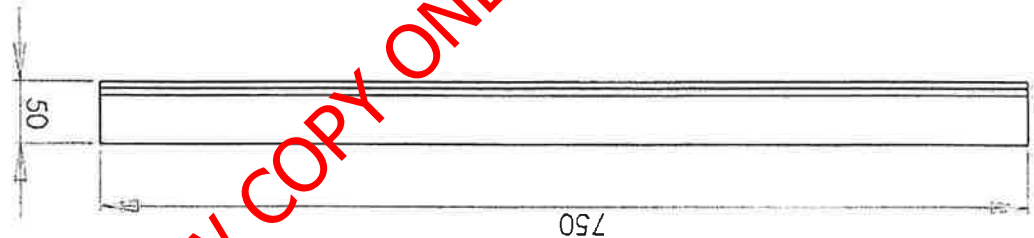


TFR  
Technology Management  
Preliminary Approval until 31/12/2012  
signed:   
Mr. J.G. Kannemeyer  
Principal Engineer

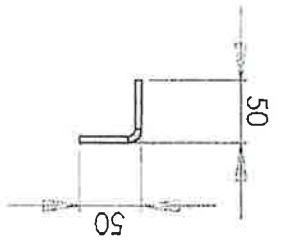
Frame x 4E " @ "

ML-SINGLE TRACKSIDE BOX  
50x50x5 ANGLE UPRIGHT  
STANDARD ANGLE IRON  
1/SET

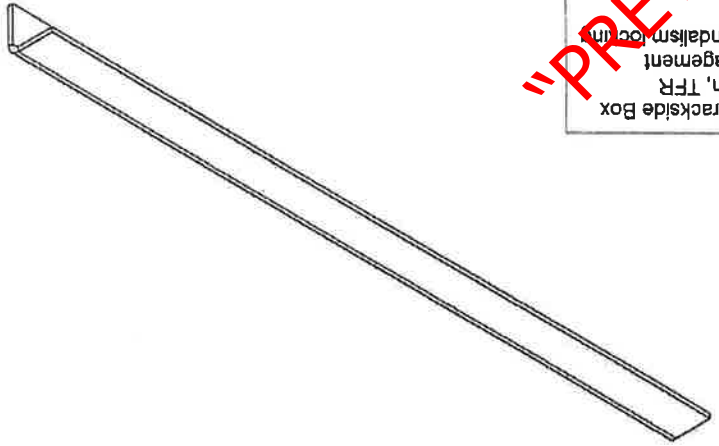
ML Tuning Unit Trackside Box  
Single - fitted with, TFR  
Technology Management  
approved, and vandalism  
mechanism



Sheet  
16 of 19



TFR  
Technology Management  
Preliminary Approval until 31/12/2012  
signed  
Mr. J.G. Kannemeyer  
Principal Engineer




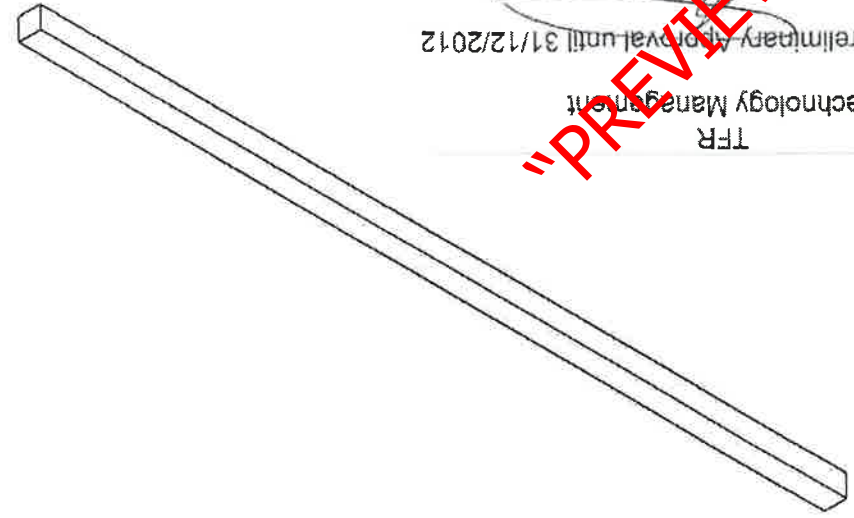
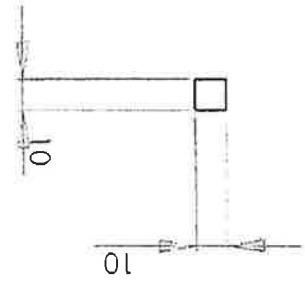
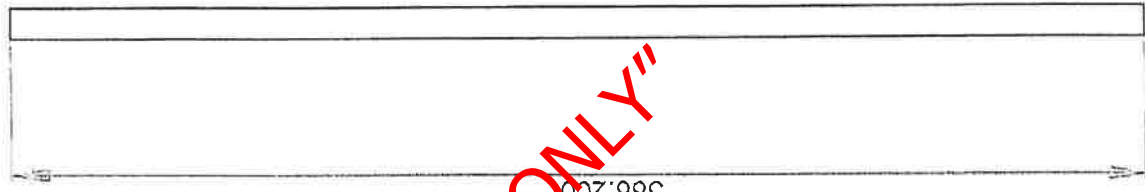
"PREVIEW COPY ONLY"

Annexure "0"

ML-SINGLE TRACKSIDE BOX  
10X10X370 LONG SQUARE BAR  
2/SET  
(NOTE LENGTH)

ML Tuning Unit Trackside Box  
Single - fitted with, TFR  
Technology Management  
approved, and vandalism locking  
mechanism

TFR  
Technology Management  
Preliminary Approval until 31/12/2012  
signed:   
Mr. J.S. Kannemeyer  
Principal Engineer

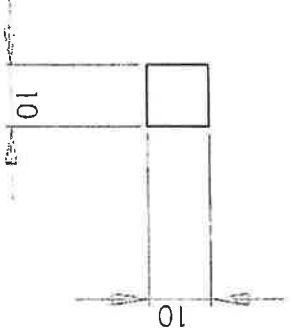
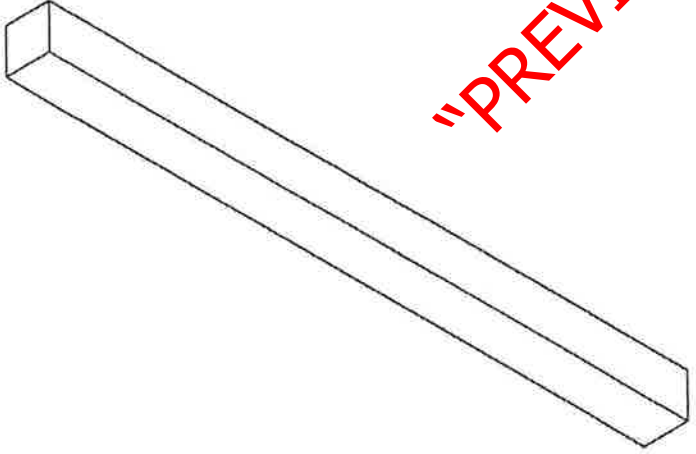


"PRELIMINARY COPY ONLY"

Handwritten: "0" "0" "0"

ML-SINGLE TRACKSIDE BOX  
DOOR SUPPORTS 145 LONG  
10X10 SQUARE BAR

PREVIEW COPY ONLY



ML Tuning Unit Trackside Box  
Single - fitted with, TFR  
Technology Management  
approved, and vandalism locking  
mechanism

Sheet  
18 of 19


TFR  
Technology Management  
Preliminary Approval until 31/12/2012  
signed: *[Signature]*  
Mr. J.G. Kannemeyer  
Principal Engineer

A 200x200 "e"

ML-SINGLE TRACKSIDE BOX  
BASE P11  
1/SET



"PREVIEW COPY ONLY"

TFR  
Technology Management  
Preliminary Approval until 31/12/2012  
signed:   
Mr. J. G. Kannemeyer  
Principal Engineer

ML Tuning Unit Trackside Box  
Single - fitted with, TFR  
Technology Management  
approved, anti vandalism locking  
mechanism

