



freight rail

RFQ / TENDER

Tender No: ERAC FM434

Vendor No: 11001386

BOARD LIST
 BOARD LIST
 TRANSNET FREIGHT RAIL
 PROCUREMENT DEPARTMENT
 2000

Purchaser : Frans Moshoeu
Telephone : 035 906 7189
Fax Number:

Please quote reference:
 B11/6000606723

Deliver to:
 Mr.
 ALEX NDWANDWE
 227 MARK STREET VRYHEID
 227 MARK STREET
 VRYHEID

Closing Date :11.09.2014
Validity Date :10.12.2014
RFQ No :6000606723

1. RETURN OF QUOTATION/S:

1.1 QUOTATION/S MUST BE SUBMITTED PUNCTUALLY AT 10:00 ON THE CLOSING DATE AND LATE QUOTATIONS WILL NOT BE CONSIDERED.

1.2 IF DELIVERED BY HAND:

THE CHAIRMAN
 TRANSNET FREIGHT RAIL ACQUISITION COUNCIL
 GROUND FLOOR, INYANDA HOUSE
 21 WELLINGTON ROAD
 PARKTOWN
 JOHANNESBURG
 2001

SUPPLY AND DELIVERY OF 90 BALLAST FORKS AS PER SPECIFICATION AT VRYHEID.

THE RFQ DOCUMENTS ARE OBTAINABLE FROM THE OFFICE OF TRANSNET FREIGHT RAIL, TENDER ADVISE CENTRE, GROUND FLOOR, INYANDA HOUSE 1, WELLINGTON ROAD, PARKTOWN, DURING OFFICE HOURS 08:00 TO 15:00 AND RFQ DOCUMENT IS FOR FREE.

TO OBTAIN A COPY OF THE RFQ CONTACT MORRIS MHLONGO AT 011 584 9230 OR ANTHONIE ERASMUS AT 011 5849231.

ALTERNATIVELY CONTACT FRANS MOSHOEU AT 035 906 7189 TO GET RFQ COPY.

ATTACH BBBEE CERTIFICATE AND TAX CLEARANCE CERTIFICATE WITH RFQ QUOTES.

1.4 IF FAXED:

011 774 9129
 011 774 9186

DATE: SIGNATURE OF TENDERER(S):
 CONTACT PERSON: TEL No:

RFQ / TENDER

Tender No: ERAC FM434 Page
Date : 03.09.2014 2

BOARD LIST
TRANSNET FREIGHT RAIL
PROCUREMENT DEPARTMENT

CONTACT NO'S: THULI MATHEBULA - 011 544 9497
LOLO SOKHELA - 011 544 9494
PRUDENCE NKABINDE - 011 544 9486

2. CONDITIONS:

- 2.2 ANY PURCHASE ORDER PLACED AS A RESULT OF YOUR QUOTATION WILL BE SUBJECT TO THE STANDARD TERMS AND CONDITIONS OF CONTRACT, FORM US7, (LATEST) AND THE GENERAL TENDER CONDITIONS, FORM CSS5 (LATEST) AND CONDITIONS MENTIONED HEREIN.
- 2.3 TENDERERS MAY OFFER AN EARLIER VALIDITY DATE, BUT THEIR QUOTATION MAY, IN THAT EVENT, BE DISREGARDED FOR THIS REASON.
- 2.4 TENDERERS ARE REQUIRED TO OFFER ONLY FIRM PRICES. PRICES SUBJECT TO REVIEW IN TERMS OF CLAUSE 32 OF FORM US7 WILL ONLY BE CONSIDERED SHOULD THE DELIVERY PERIOD REQUIRED EXCEED 6 MONTHS.
- 2.5 BEST DELIVERY TIME MUST BE OFFERED.
- 2.6 DISCOUNT (TRADE DISCOUNT)/CASH DISCOUNT (CONDITONAL DISCOUNT)/ VALUE ADDED TAX (VAT) MUST BE SHOWN SEPARATELY.
- 2.7 TRANSNET RESERVES THE RIGHT TO NEGOTIATE PRICES AND COMMERCIAL ASPECTS AFTER THE CLOSING DATE

"PREVIEW COPY ONLY"

DATE:

SIGNATURE OF TENDERER(S):

RFQ / TENDER

Tender No: ERAC FM434 Page
Date : 03.09.2014 3

BOARD LIST
TRANSNET FREIGHT RAIL
PROCUREMENT DEPARTMENT

2.8 DIRECT DELIVERY INTIMATES DELIVERY BEING EFFECTED INTO THE WAREHOUSE OR THE ACTUAL POINT OF SUPPLY AND SHOULD THEREFORE INCLUDE ANY TRANSPORTATION MODE DEEMED NECESSARY IN EXECUTING THIS METHOD OF DELIVERY BASIS IN ORDER TO MEET THE REQUIRED DELIVERY DATE.

TAX CLEARANCE CERTIFICATES:

The Regulations in terms of the Public Finance Management Act, 1999: Framework for Supply Chain Management as published in Government Gazette No. 25767 dated 5 December 2003, Clause 9 (1) (d), stipulates that the accounting officer or accounting authority of an institution to which these regulations apply must reject any bid from a supplier who fails to provide written proof from the South African Revenue that the supplier either has no outstanding tax obligations or has made arrangements to meet outstanding tax obligations. Tenderers will be disqualified if a valid tax clearance certificate or written proof from the South African Revenue Service that supplier has made arrangements to meet outstanding tax obligations is not submitted with the tender.

BROAD BASED BLACK ECONOMIC EMPOWERMENT (BBBEE)

Transnet fully endorses and supports the Government's Broad-based Black Economic Empowerment Programme and it is strongly of the opinion that all South African Business Enterprises have an equal obligation to redress the imbalances of the past. Transnet will therefore prefer to do business with local business enterprises who share these same values. Transnet will endeavour to do business with local business enterprises that possess a BBBEE "recognition level" of at least a level 5. Transnet urges Tenderers (large enterprises and QSE's - see below) to have themselves accredited by any one of the various Accreditation Agencies available, who do their BBBEE ratings in accordance with the latest Codes (i.e. those promulgated on 9 February 2007) and whose names appear on the present ABVA (Association of BEE Verification Agencies) - "List of Full Members" as displayed on the ABVA website (www.abva.co.za). Although no agencies have, as yet, been accredited by SANAS (SA National Accreditation System), Transnet will, in the interim, accept rating certificates of tenderers who have been verified by any of the listed agencies.

Enterprises will be rated by such agency based on the following:

1. Large Enterprises (i.e. annual turnover >R35million:
" Rating level based on all seven elements of the BBBEE scorecard.
2. Qualifying Small Enterprises - (QSE) (i.e. annual turnover >R5million but <R35million:
" Rating based on any four elements of the BBBEE scorecard.

NB:

3. Emerging Micro Enterprises - (EME) (i.e. annual turnover <R5m) are exempted from being rated/verified:
" Automatic rating of Level 4 BBBEE irrespective of race of ownership, i.e. 100% BBBEE recognition
" Black ownership >50% or Black Women ownership >30% automatically qualifies as Level 3 BBBEE, i.e. 110% BBBEE recognition
" EME's should provide certified documentary proof of annual turnover (i.e. audited financials) plus proof of Black ownership if Black ownership >50% or Black Women ownership >30% from the EME's Auditor/Accounting Officer.

4. In addition to the above, Tenderers who wish to enter into a Joint Venture or subcontract portions of the contract to BBBEE companies, must state in their tenders the percentage of the total contract value that will be allocated to such BBBEE companies, should they be successful in being awarded any business. A rating certificate in respect of such BBBEE JV-partners and / or sub-contractor/s, as well as a breakdown of the distribution of the aforementioned percentage must also be furnished

In view of the high emphasis which Transnet places on Broad-based Black Economic Empowerment, Transnet will allow certain preference points for BBBEE in the evaluation of all responses. Depending upon the value of the ensuing business award (i.e. below or in excess of R2m), the 80/20 or 90/10 point preference systems will be utilized where BBBEE will count out of 20 or 10 respectively in the evaluation process.

EACH RESPONDENT IS REQUIRED TO FURNISH PROOF OF THE ABOVE TO TRANSNET. FAILURE TO DO SO WILL RESULT IN A

DATE:

SIGNATURE OF TENDERER(S):

RFQ / TENDER

Tender No: ERAC FM434 Page
Date : 03.09.2014 4

BOARD LIST
TRANSNET FREIGHT RAIL
PROCUREMENT DEPARTMENT

SCORE OF ZERO BEING ALLOCATED FOR BBBEE.

Turnover: Kindly indicate your company's annual turnover for the past year R_____

- " If annual turnover <R5m, please attach certified confirmation from your Auditor/Accounting Officer
- " If annual turnover >R5m please attach original or certified copy of accreditation certificate and detailed scorecard by an ABVA accreditation agency (registered as a "Full Member")

PAYMENT TERMS

The following payment terms will apply as from 1 October 2008.

- " All suppliers will be paid 30 days from receipt of month end statement, i.e. payment term F055.
- " All CIDB suppliers will be paid 21 days from date of invoice, i.e. payment term F057.

SCHEDULE OF REQUIREMENTS

TENDERERS SHOULD INSERT THEIR PRICE/S UNDER THE APPROPRIATE HEADINGS HEREUNDER.

IN THIS REGARD THE TENDERER'S ATTENTION IS DIRECTED TO PARAGRAPH 16 OF FORM CSS5 (LATEST).

NB. TENDERERS OFFERING GOODS FROM IMPORTED SUPPLIES MUST SUBMIT THEIR PRICES ON THE DELIVERY BASIS APPEARING UNDER COLUMN (C) OF THIS SCHEDULE OF REQUIREMENTS.

We urge our clients & suppliers to report fraud/corruption at Transnet to TIP-OFFS ANONYMOUS: 0800 003 056".

"Transnet insists on honesty and integrity beyond reproach at all times and will not tolerate any form of improper influencing, bribery, corruption, fraud, or any other unethical conduct on the part of bidders/ Transnet employees. If, in the opinion of Transnet's Chief Operating Officer, a Tenderer / Contractor / Supplier has or has caused to be promised, offered or given to any Transnet Employee, any bribe, commission, gift, loan, advantage or other consideration, Transnet shall be entitled to revoke the tender / contract by following its internal policies that govern the Exclusion process. In such an event Transnet will be entitled to place any Tenderer / Contractor / Supplier who has contravened the provisions of Transnet's business ethics on its List of Excluded Tenderers. This List will also be distributed to all other State Owned Enterprises and Government Departments.

Transnet invites its valued suppliers to report any allegations of fraud Corruption or other unethical activities to Transnet Tip-offs Anonymous, at any of the following addresses / contact numbers:-

- * Toll-free anonymous hotline- 0800 003 056
- * Email - Transnet@tip-offs.com
- * Fax number - 0800 007 788
- * Freepost DN 298, Umhlanga Rocks, 4320

TOTAL TENDER VALUE: _____

SUPPLIER COMPANY NAME : _____

CONTACT PERSON : _____

DATE: SIGNATURE OF TENDERER(S):

RFQ / TENDER

Tender No: ERAC FM434
Date : 03.09.2014

Page
5

BOARD LIST
TRANSNET FREIGHT RAIL
PROCUREMENT DEPARTMENT

CONTACT NUMBER OF SUPPLIER: _____

EMAIL ADDRESS OF SUPPLIER : _____

Item	Qty	Material	Description
00010	90		SUPPLY AND DELIVERY OF BALLAST FORKS

R.....
Each

Delivery Date: 30.09.2014

FULL DETAILS OF DESCRIPTION
SEE THE ATTACHED SPECIFICATION.

FOR ANY TECHNICAL QUERY SEND AN EMAIL TO Frans.Moshoeu@Transnet.net

"PREVIEW COPY ONLY"

DATE:

SIGNATURE OF TENDERER(S):

RFQ / TENDER

Tender No: ERAC FM434
Date : 03.09.2014

Page
6

BOARD LIST
TRANSNET FREIGHT RAIL
PROCUREMENT DEPARTMENT

3. ADDITIONAL INFORMATION REQUIRED: (WHERE APPLICABLE)

3.1 THE FOLLOWING ADDITIONAL INFORMATION IS REQUIRED:

- (A) DISCOUNT:
- (B) SETTLEMENT DISCOUNT:.....
- (C) PRICE/S FIRM:
- (D) PRICE/S FIRM UNTIL THEREAFTER SUBJECT TO REVIEW.
- (E) PRICE/S NOT FIRM:
- (F) SABS MARK:
- (G) SABS PERMIT NO:
- (H) BRAND/MAKE/TYPE:
- (I) FULL NAME AND ADDRESS OF MANUFACTURER.:
.....
.....
.....

(J) FULL NAME AND ADDRESS OF INSPECTION POINT:
.....
.....
.....

(K) COUNTRY OF ORIGIN:

(L) YEAR 2000 CONTRACT COMPLIANT :

Vendors/Proposers shall indicate their year 2000 compliance with :

- A. Technology Products,
- B. Equipment, Products, Components or Parts
- C. "Products" and Services

Non-Compliance with either (A) or (B) shall result in your bid/proposal being deemed non-responsive. Non-compliance with (C) may cause you bid/proposal to be deemed non-responsive. If you indicate that none of the following apply, please provide a written justification for your determination. Transnet will review this justification and will make a final determination.

"Year 2000 Compliant" means that (A) the Information Technology (B) Equipment/Products/Components/Parts (Collectively "Products")supplied (C)"Products" and Services contracted, will accurately process date and time data from into and between the 20th and 21st centuries. The year 1999 and 2000 and for all leap years. "Process date and time data" includes, but is not limited to, data calculation, logistical functions, program branching, format conversion, edits and validations, and the use of dates in comparisons, sorting, sequencing, merging, retrieving, searching and indexing. Furthermore, year 2000 compliant, when (A) used in combination with other information technology, (B) used in combination with other products, (C) used in combination with their (Vendor) other date required interfaces, shall accurately process date and time data (A) if the other technology, (B) if the other "Products", (C) either passed to or received from their other customers/suppliers, properly exchange date and time data with it/them.

Comply : _____ Does not Comply : _____ Not applicable : _____

Justification :

(M) SURPLUS MATERIAL:

DATE:

SIGNATURE OF TENDERER(S):

RFQ / TENDER

Tender No: ERAC FM434 Page
Date : 03.09.2014 7

BOARD LIST
TRANSNET FREIGHT RAIL
PROCUREMENT DEPARTMENT

TENDERERS MUST INDICATE IF THEY WILL BE PREPARED TO PURCHASE BACK FROM TRANSNET ANY SURPLUS MATERIAL WHICH MAY BECOME AVAILABLE FROM ANY RESULTING PURCHASE ORDER/CONTRACT ORIGINATED FROM THE QUOTATION SUBMITTED:

.....
(N) PAYMENT OVERSEAS:

ONLY IF TRANSNET LIMITED IS REQUESTED BY THE TENDERER TO EFFECT PAYMENT OVERSEAS DIRECT TO THE TENDERER'S PRINCIPAL/SUPPLIER THE FOLLOWING INFORMATION IS REQUIRED:

* EXCHANGE RATE ON WHICH THE QUOTATION PRICE IS BASED: R1,00 (S.A. CURRENCY) BEING EQUAL TO (FOREIGN CURRENCY)

* PERCENTAGE IN RELATION TO THE QUOTATION PRICE TO BE REMITTED OVERSEAS:
.....

* NAME OF COUNTRY TO WHICH PAYMENT IS TO BE MADE:
.....
.....

* APPLICABLE DATE OF EXCHANGE RATE:
.....

* BENEFICIARY'S NAME AND FULL ADDRESS:
.....
.....
.....

* BENEFICIARY'S BANKERS AND FULL ADDRESS:
.....
.....
.....

* APPLICABLE ACCOUNT NUMBER:
.....

(O) DELIVERY DATE:

TENDERERS MUST FURNISH THEIR ACTUAL DELIVERY AND MANUFACTURING PERIOD HEREUNDER NOTWITHSTANDING THE DELIVERY DATES SPECIFIED BY TRANSNET.

THE FOLLOWING MUST ALSO BE FURNISHED IN REGARD TO THE ABOVE:

1. PERIOD REQUIRED TO OBTAIN RAW MATERIAL.(DAYS)
2. MANUFACTURING PERIOD.(DAYS)
3. PERIOD TO TRANSPORT MATERIAL TO DESTINATION.(DAYS)

MATERIAL NO.	1.(PERIOD)	2.(PERIOD)	3.(PERIOD)
.....
.....
.....
.....
.....
.....
.....
.....

DATE: SIGNATURE OF TENDERER(S):

RFQ / TENDER

Tender No: ERAC FM434
Date : 03.09.2014

Page
8

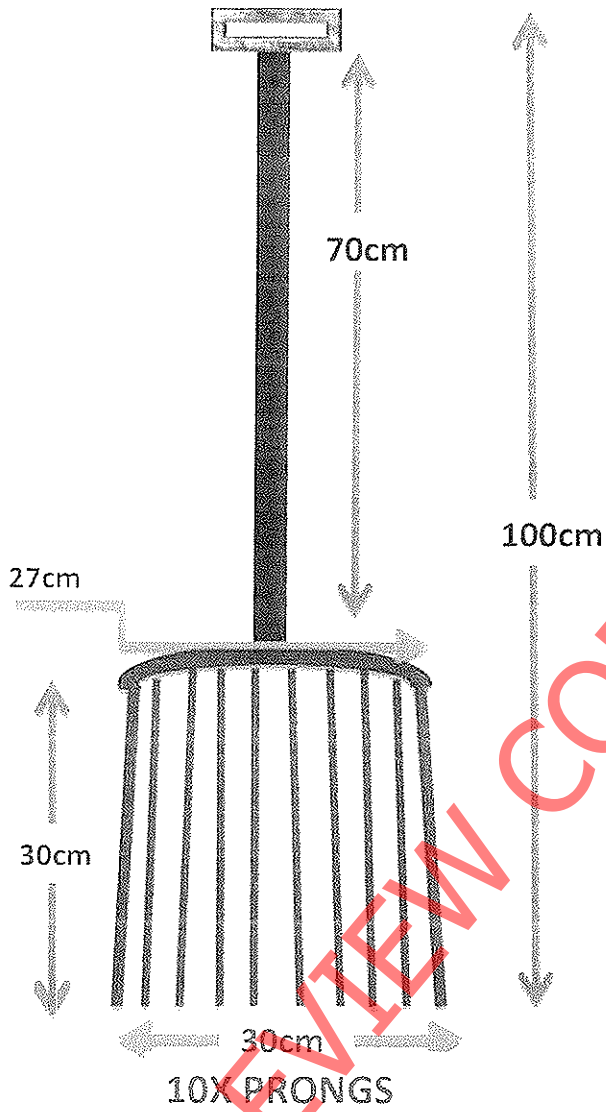
BOARD LIST
TRANSNET FREIGHT RAIL
PROCUREMENT DEPARTMENT

"PREVIEW COPY ONLY"

DATE:

SIGNATURE OF TENDERER(S):

BALAST FORK- LASHER



"PREVIEW COPY ONLY"