

RFQ / TENDER

Tender No: JW00397

Vendor No: 11001386

BOARD LIST
BOARD LIST
TRANSNET FREIGHT RAIL
PROCUREMENT DEPARTMENT
2000

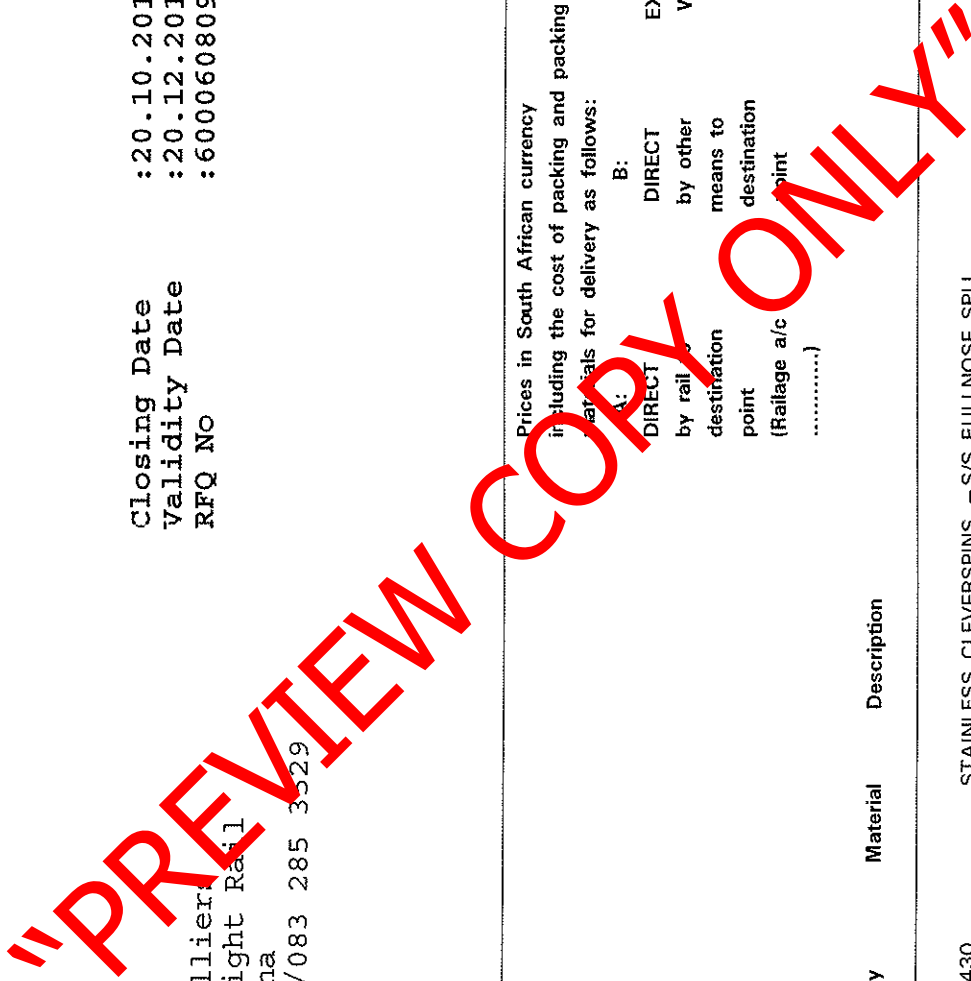
Purchaser : Joseph Webber
Telephone : 021 9403829
Fax Number: 021 9403883

Please quote reference:
A14/6000608090

Deliver to:

Mr.
Pierre de Villiers
Transnet Freight Rail
Orex, Saldanha
022 703 3562/083 285 3529

Closing Date : 20.10.2014
Validity Date : 20.12.2014
RFQ NO : 6000608090



Prices in South African currency
including the cost of packing and packing
materials for delivery as follows:

A: DIRECT by rail destination point (Railage a/c)
B: DIRECT by other means to destination point (Railage a/c)
C: EX OVERSEAS WORKS

Item Qty Material Description

00010 1,430 STAINLESS CLEVERSPINS - S/S BULLNOSE SPLI

R..... R..... R.....

Delivery Date: 25.11.2014

FULL DETAILS OF DESCRIPTION

Supply of Stainless Steel Clevis Pins and Bull Nose Split Pins Required At Saldanha

PLEASE SEE ATTACHED DRAWING

NB: CLAVIS PINS MUST BE MACHINED OUT OF 30MM STAINLESS STEEL ROD

DATE: SIGNATURE OF TENDERER(S): TEL No:
CONTACT PERSON: TEL No:

RFQ / TENDER

Tender No: JW00397 Page
Date : 13.10.2014 2

BOARD LIST
TRANSNET FREIGHT RAIL
PROCUREMENT DEPARTMENT

Prices in South African currency
including the cost of packing and packing
materials for delivery as follows:

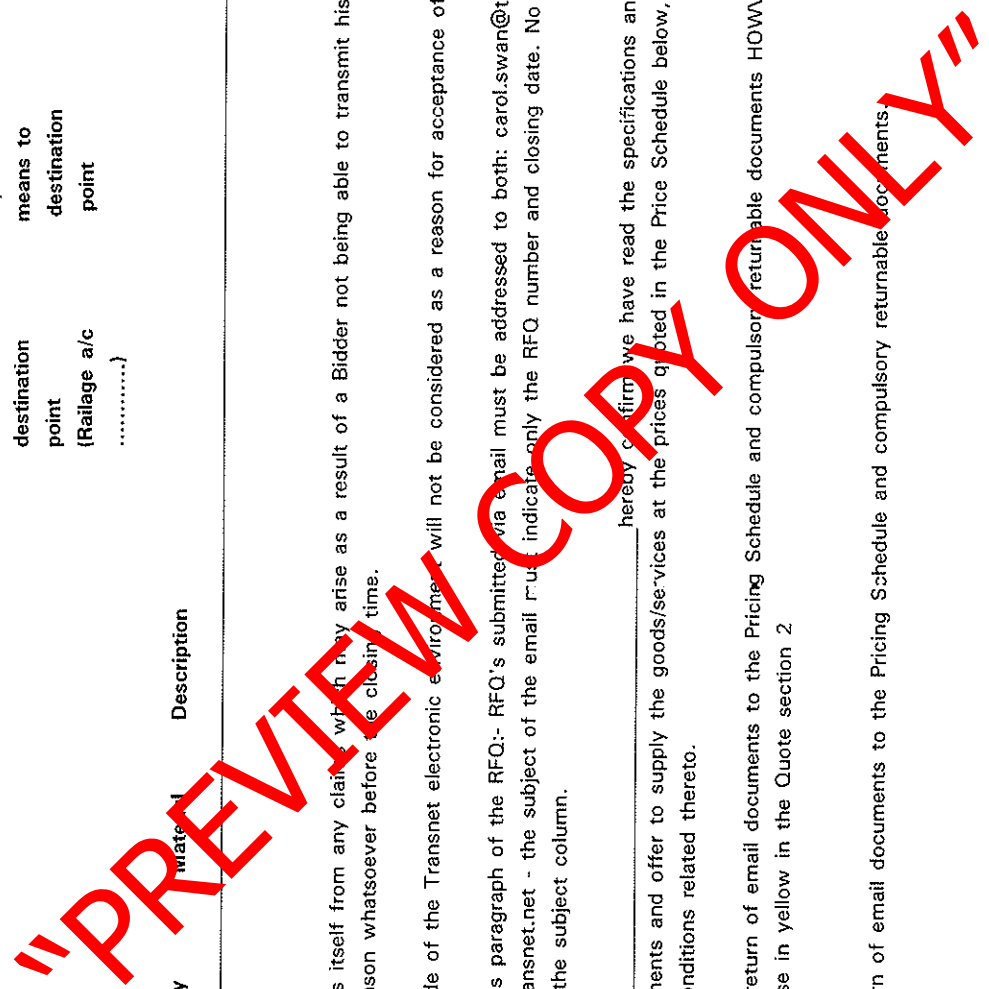
| | | | | | |
|----|--------------|----|-------------|----|-------------|
| A: | DIRECT | B: | DIRECT | C: | EX OVERSEAS |
| | by rail to | | by other | | WORKS |
| | destination | | means to | | |
| | point | | destination | | |
| | (Railage a/c | | point | | |
| |) | | | | |

| Item | Qty | Description |
|------|-----|-------------|
|------|-----|-------------|

1. Transnet indemnifies itself from any claims which may arise as a result of a Bidder not being able to transmit his / her quote to Transnet for any reason whatsoever before the closing time.
2. Server issues outside of the Transnet electronic environment will not be considered as a reason for acceptance of late RFQ's
3. In the closing details paragraph of the RFQ:- RFQ's submitted via email must be addressed to both: carol.swan@transnet.net ; AND Johanna.kotze@transnet.net - the subject of the email must indicate only the RFQ number and closing date. No other details must appear in the subject column.
4. I/We _____ hereby confirm we have read the specifications and clearly understand the requirements and offer to supply the goods/services at the prices quoted in the Price Schedule below, in accordance with the conditions related thereto.
5. Lastly, restrict the return of email documents to the Pricing Schedule and compulsory returnable documents **HOWEVER** include the above phrase in yellow in the Quote section 2

Lastly, restrict the return of email documents to the Pricing Schedule and compulsory returnable documents.

DATE: SIGNATURE OF TENDERER(S):





1 Broad-Based Black Economic Empowerment [B-BBEE]

Transnet fully endorses and supports the Government's Broad-Based Black Economic Empowerment Programme and it would therefore prefer to do business with local business enterprises who share these same values. Transnet will accordingly allow a "preference" to companies who provide a B-BBEE Verification Certificate. All procurement transactions will be evaluated accordingly.

1.1 B-BBEE Scorecard and Rating

As prescribed in terms of the Preferential Procurement Policy Framework Act (PPPFA), Act 5 of 2000 and its Regulations, Respondents are to note the following:

- Proposals will be evaluated on price which will be allocated 80 points and preference which will be allocated 20 points, dependent on the value of the Services
- The 80/20 preference point system applies where the acquisition of the Services will be less than R1 000 000,00.
- If the 80/20 preference point system is stipulated and all Bids received exceed R1 000 000,00, the RFP will be cancelled

In compliance with the Government Gazette No. 34112, Notice No. 754 dated 23 September 2011, as from 1 October 2011 valid B-BBEE Verification Certificates must be issued by:

- a) Verification Agencies accredited by the South African National Accreditation System [SANAS]; or
- b) Registered Auditors approved by the Independent Regulatory Board of Auditors [IRBA], in accordance with the approval granted by the Department of Trade and Industry.

Enterprises will be rated by such agencies based on the following:

- c) **Large Enterprises** [i.e. annual turnover greater than R35 million]:
 - Rating level based on all seven elements of the B-BBEE scorecard
- d) **Qualifying Small Enterprises – QSE** [i.e. annual turnover between R5 million and R35 million]:
 - Rating based on any four of the elements of the B-BBEE scorecard
- e) **Exempted Micro Enterprises – EME** [i.e. annual turnover less than R5 million]:

In accordance with B-BBEE Codes of Good Practice [Statement 000, Section 4], any enterprise with an annual total revenue of R 5 million or less qualifies as an EME.

- Automatic rating of B-BBEE Level 4 irrespective of race or ownership
- Black ownership greater than 50% or Black Women ownership greater than 50% automatically qualify as B-BBEE Level 3

Sufficient evidence to qualify as an EME would be a certificate (which may be in the form of a letter) from an auditor or accounting officer or a certificate from a Verification Agency accredited by SANAS. The certificate must confirm the company's turnover, black ownership / black female ownership and B-BBEE status level.



Respondents are required to furnish proof of the above to Transnet. [i.e. a detailed scorecard as stipulated above in respect of Large Enterprises and QSEs, or a certificate in respect of EMEs].

Transnet will accordingly allocate a maximum of **20 [twenty] points** in accordance with the **80/20** preference point system prescribed in the Preferential Procurement Policy Framework Act (PPPFA), Act 5 of 2000 and its Regulations to the Respondent's final score based on an entity's B-BBEE scorecard rating.

N.B. Failure to submit a B-BBEE certificate, which is valid as at the Closing Date of this RFP, will result in a score of zero being allocated for B-BBEE.

2 Evaluation Criteria

Transnet will utilise the following criteria in choosing a Supplier/Service Provider:-

- Weighted evaluation based on 80/20 preference point system:

Transnet will utilise the following formula in its evaluation of Price:

$$\bullet \text{ PS} = 80 \left(1 - \frac{P_t - P_{min}}{P_{max} - P_{min}} \right)$$

Where:

P_s = Score for the Bid under consideration

P_t = Price of Bid under consideration

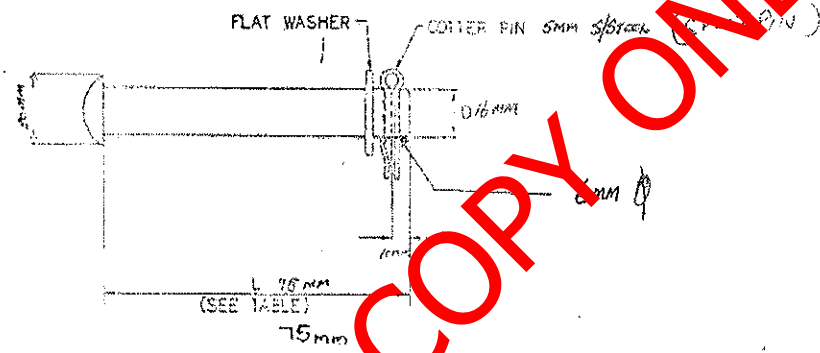
P_{min} = Price of lowest acceptable Bid

- B-BBEE status of company

Preference points will be awarded to a bidder for attaching the B-BBEE status level of contribution in accordance with the table below:

| B-BBEE Status Level of Contributor | Number of points (80/20 system) |
|------------------------------------|---------------------------------|
| 1 | 20 |
| 2 | 18 |
| 3 | 16 |
| 4 | 12 |
| 5 | 8 |
| 6 | 6 |
| 7 | 4 |
| 8 | 2 |
| Non-compliant contributor | 0 |

CLAVIS PIN WITH SPURT PIN



"PREVIEW COPY ONLY"

| SPECIFICATION REFERENCE PF223 | | | |
|---|---------------|--------|----------------------|
| CF235 | 205 | 20 | 18 |
| CF225 | 15 | 16 | 5 |
| CF222 | 80 | 16 | 10 |
| COMPLEMENT: LENGTH-DIAMETER & 1 REMARKS | | | |
| DETAIL & DIMENSION - FINISHED AND GROUP | | | KP-3269 |
| STEEL PIN | | | |
| ISCOR | YSKOR | SISHEN | SALDANHA |
| ENGINEER | APPRENTICE | | |
| DRAWING OFFICER | WORKER | | |
| DEVELOPER | ENGINEER/VA | | |
| INSPECTOR | DESIGNER | | |
| PROJECT | SCALE: N.T.S. | | |
| DATE: FEB | AUTH. NO. | SHEET | C B 12 0 8 2 16 9 A2 |

1. APPROVED BY: _____
 2. APPROVED BY: _____
 3. APPROVED BY: _____
 4. APPROVED BY: _____
 5. APPROVED BY: _____
 6. APPROVED BY: _____
 7. APPROVED BY: _____
 8. APPROVED BY: _____
 9. APPROVED BY: _____
 10. APPROVED BY: _____