

RFQ / TENDER

Tender No: JW00363

Vendor No: 11001386

BOARD LIST
BOARD LIST
TRANSNET FREIGHT RAIL
PROCUREMENT DEPARTMENT
2000

Purchaser : Joseph Webber
Telephone : 021 9403829
Fax Number: 021 9403883

Please quote reference:
A14/6000605972

Deliver to:

Mr. Andile Qumbisa
Transnet Freight Rail
Saldanha
022 703 3204

Closing Date : 13.08.2014
Validity Date : 13.10.2014
RFQ No : 6000605972

"PREVIEW COPY ONLY"

Prices in South African currency
including the cost of packing and packing
materials for delivery as follows:

A: DIRECT by rail to destination point
B: DIRECT by other means to destination point
C: EX OVERSEAS WORKS
(Railage a/c point
.....)

Item Qty Material Description

00010 30 SURGE ARRESTORS

Delivery Date: 26.02.2015

FULL DETAILS OF DESCRIPTION
Supply of Surge Arrestors Required At Saldanha

Please see attached specifications and drawing

R..... R..... R.....
Each Each Each

DATE: SIGNATURE OF TENDERER(S):
CONTACT PERSON: TEL No:

RFQ / TENDER

Tender No: JW00363 Page
Date : 08.08.2014 2

BOARD LIST
TRANSNET FREIGHT RAIL
PROCUREMENT DEPARTMENT

Prices in South African currency
including the cost of packing and packing
materials for delivery as follows:

A:	DIRECT	B:	DIRECT	C:	EX OVERSEAS
	by rail to		by other		WORKS
	destination		means to		
	point		destination		
	(Railage a/c		point		
)				

Item	Qty	Material	Description
------	-----	----------	-------------

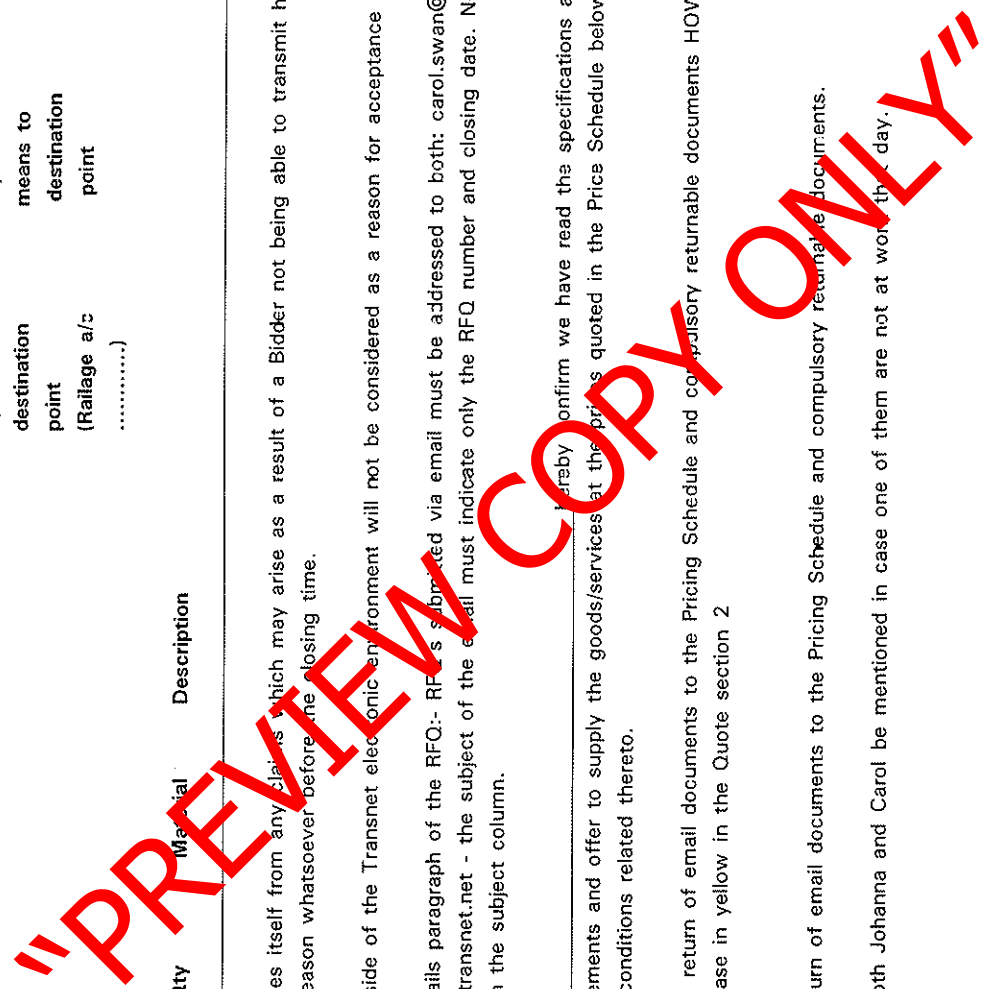
2. Transnet indemnifies itself from any claims which may arise as a result of a Bidder not being able to transmit his / her quote to Transnet for any reason whatsoever before the closing time.
3. Server issues outside of the Transnet electronic environment will not be considered as a reason for acceptance of late RFQ's
4. In the closing details paragraph of the RFQ:- RFQ's submitted via email must be addressed to both: carol.swan@transnet.net ; AND Johanna.kotze@transnet.net - the subject of the email must indicate only the RFQ number and closing date. No other details must appear in the subject column.

5. I/We _____ hereby confirm we have read the specifications and clearly understand the requirements and offer to supply the goods/services at the prices quoted in the Price Schedule below, in accordance with the conditions related thereto.

6. Lastly, restrict the return of email documents to the Pricing Schedule and compulsory returnable documents HOWEVER include the above phrase in yellow in the Quote section 2

Lastly, restrict the return of email documents to the Pricing Schedule and compulsory returnable documents.

It is important that both Johanna and Carol be mentioned in case one of them are not at work that day.



DATE: SIGNATURE OF TENDERER(S):

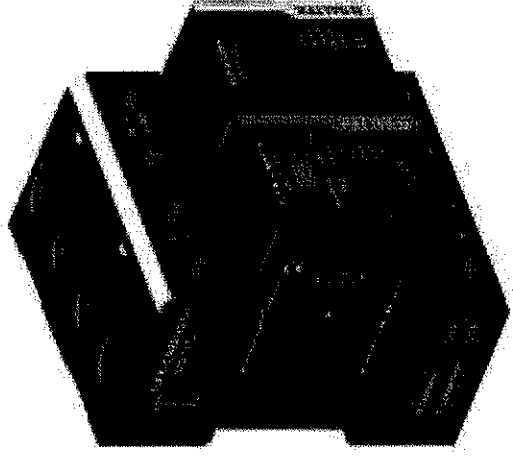
FLP-B+C MAXI V/1+1 FLP-B+C MAXI VS/1+1

SPD type 1 and type 2

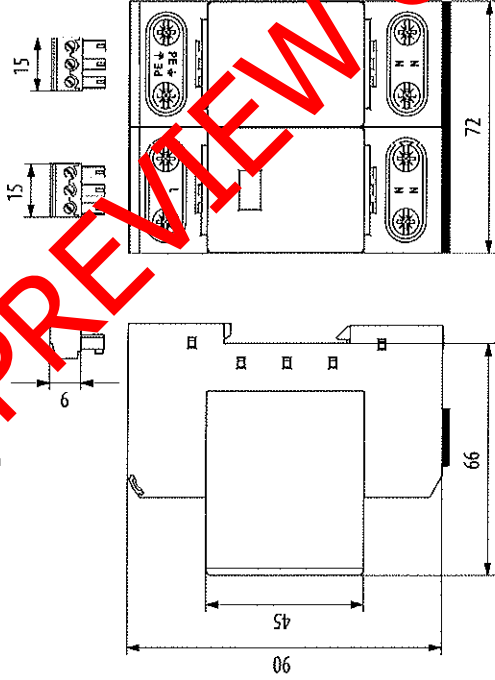
2-pole (1+N-PE) arrester for single phase TT (TNS) networks
Total $I_{imp} = 50 \text{ kA}$ (10/350)

Surge protective devices (SPD) type 1 and type 2 (class B+C) serve for protection of low-voltage (230/400 V AC) networks and connected appliances against surge voltages due to direct or indirect lightning strikes in the concept of zone lightning protection at the boundary of the LPZ 0 and LPZ 1 (or higher) zones.

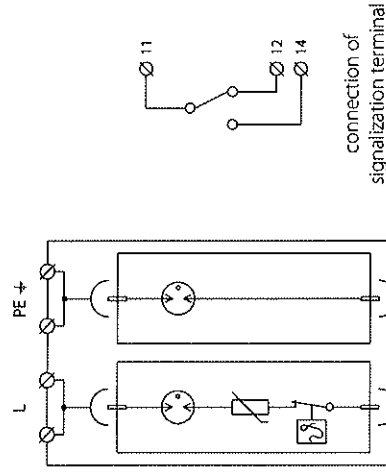
Replaceable module offers a combination of heavy duty gas discharge tube (GDT) rated at 25 kA (10/350 μsec pulse) with high energy varistors block. This proven technology guarantee no follow current, no leakage current and low residual voltage. Remote status signalling contact version „S“.



Dimension drawing



Basic circuit diagram



Technical data

	L-N	N-PE
Nominal voltage	230 V AC	—
Maximum operating voltage	260 V AC	255 V AC
Nominal discharge current (8/20 μs)	30 kA	50 kA
Maximum discharge current	60 kA	100 kA
Lighting impulse current	25 kA	50 kA
Voltage protection level (L - PE)	1.5 kV	1.5 kV
Voltage protection level (L - N)	2.2 kV	—
Response time	100 ns	100 ns
Ability to independently switch off the following current	no following current	10 A
Short-circuit proof at maximum overcurrent protection	50 kA _{imp}	—
Maximum overcurrent protection	250 A gL/gG	—
Maximum overcurrent protection for serial connection	125 A gL/gG	—
Degree of protection	IP 20	IP 20
Range of operating temperatures	-40 °C ... +80 °C	-40 °C ... +80 °C
Mounting on	DIN rail 35 mm	DIN rail 35 mm
Cross-section of connected conductors	—	—
Solid min/max	ISO: 10/50 mm ² ; AWG: 7/1	ISO: 10/50 mm ² ; AWG: 7/1
Stranded min/max	ISO: 10/35 mm ² ; AWG: 7/2	ISO: 10/35 mm ² ; AWG: 7/2
Visual fault indication	red indication field	no
Remote indication*	potential-free change-over contact	potential-free change-over contact*
Remote indication contacts	250 V / 0.5 A AC, 250 V / 0.1 A DC	250 V / 0.5 A AC, 250 V / 0.1 A DC
Cross-section of remote indication conductors	max. 1.5 mm ²	max. 1.5 mm ²
Meets the requirements of standard	EN 61643-11 + A11 EN 6163-11:2012	EN 61643-11 + A11 EN 6163-11:2012
Ordering number	FLP-B+C MAXI V/1+1 FLP-B+C MAXI VS/1+1	8595090550952 8595090537830
Replacement module	FLP-B+C MAXI V/0 (for L-N) FLP-A50N V/0 (for N-PE)	8595090535355 8595090535379

* Remote signalling of N-PE module shows the presence of the replaceable module



1 Broad-Based Black Economic Empowerment [B-BBEE]

Transnet fully endorses and supports the Government's Broad-Based Black Economic Empowerment Programme and it would therefore prefer to do business with local business enterprises who share these same values. Transnet will accordingly allow a "preference" to companies who provide a B-BBEE Verification Certificate. All procurement transactions will be evaluated accordingly.

1.1 B-BBEE Scorecard and Rating

As prescribed in terms of the Preferential Procurement Policy Framework Act (PPPFA), Act 5 of 2000 and its Regulations, Respondents are to note the following:

- Proposals will be evaluated on price which will be allocated 80 points and preference which will be allocated 20 points, dependent on the value of the Services
- The 80/20 preference point system applies where the acquisition of the Services will be less than R1 000 000.00.
- If the 80/20 preference point system is stipulated and all Bids received exceed R1 000 000.00, the RFP will be cancelled.

In compliance with the Government Gazette No. 34612, Notice No. 754 dated 23 September 2011, as from 1 October 2011 valid B-BBEE Verification Certificates must be issued by:

- a) Verification Agencies accredited by the South African National Accreditation System [SANAS]; or
- b) Registered Auditors approved by the Independent Regulatory Board of Auditors [IRBA], in accordance with the approval granted by the Department of Trade and Industry.

Enterprises will be rated by such agencies based on the following:

- c) **Large Enterprises** [i.e. annual turnover greater than R35 million]:
 - Rating level based on all seven elements of the B-BBEE scorecard
- d) **Qualifying Small Enterprises – QSE** [i.e. annual turnover between R5 million and R35 million]:
 - Rating based on any four of the elements of the B-BBEE scorecard
- e) **Exempted Micro Enterprises – EME** [i.e. annual turnover less than R5 million]:

In accordance with B-BBEE Codes of Good Practice [Statement 000, Section 4], any enterprise with an annual total revenue of R 5 million or less qualifies as an EME.

- Automatic rating of B-BBEE Level 4 irrespective of race or ownership
- Black ownership greater than 50% or Black Women ownership greater than 50% automatically qualify as B-BBEE Level 3

Sufficient evidence to qualify as an EME would be a certificate (which may be in the form of a letter) from an auditor or accounting officer or a certificate from a Verification Agency accredited by SANAS. The certificate must confirm the company's turnover, black ownership / black female ownership and B-BBEE status level.



Respondents are required to furnish proof of the above to Transnet. [i.e. a detailed scorecard as stipulated above in respect of Large Enterprises and QSEs, or a certificate in respect of EMEs].

Transnet will accordingly allocate a maximum of **20 [twenty] points** in accordance with the **80/20** preference point system prescribed in the Preferential Procurement Policy Framework Act (PPPFA), Act 5 of 2000 and its Regulations to the Respondent's final score based on an entity's B-BBEE scorecard rating.

N.B. Failure to submit a B-BBEE certificate, which is valid as at the Closing Date of this RFP, will result in a score of zero being allocated for B-BBEE.

2 Evaluation Criteria

Transnet will utilise the following criteria in choosing a Supplier/Service Provider:-

- Weighted evaluation will be based on 80/20 preference point system:

Transnet will utilise the following formula in its evaluation of Price:

$$Ps = 80 \left(\frac{Pt - Pmin}{Pmin} \right)$$

Where:

Ps = Score for the Bid under consideration

Pt = Price of Bid under consideration

$Pmin$ = Price of lowest acceptable Bid

- B-BBEE status of company

Preference points will be awarded to a bidder for attaining the B-BBEE status level of contribution in accordance with the table below:

B-BBEE Status Level of Contributor	Number of points (80/20 system)
1	20
2	18
3	16
4	12
5	8
6	6
7	4
8	2
Non-compliant contributor	0