



Transnet SOC Limited
Transnet RME

REQUEST FOR QUOTATION

BOARD LIST TFR RME
TRANSNET FREIGHT RAIL - RME
PROCUREMENT DEPARTMENT
2000

Registration Number: 1990/000900/06
Vat Number : 4720103177

Attention:

TFR Tender Board.
Telephone Number :
Fax Number :
Vendor Number :2004815

Quotation Deadline Date : 05.02.2014
Quotation Deadline Time : 12:00

REQUEST for QUOTATION

Transnet RME
RFQ Number / Date
6000186752 / 27.01.2014
Contact Person / Telephone
Eddie Quinn / 035 905 3664
Return to VAX Number/EMAIL
0865159978 / TCPtendersRichardsBay@Transnet.net

Item	Material	Description	RFQ Qty	UoM	Required Del date	Confirm Del date	Unit Price Excl	Total Price Excl
00010		Stainless Steel Wire Ro	1,000	m	12.02.2014			
Supply, Deliver & Offload, 1000m x Stainless Steel Wire Rope (316) 10mm Diameter, Make Up 7 x 19. Delivered to our OHTE Store, 1 Morris Road, Empangeni Rail. Contact: Mr Pierre Crocker Tel: 035-905 3638 / 083 279 0437.								
00020		Oval Copper Ferrule for	900	ea	12.02.2014			
Supply & Deliver, 900 x Oval Copper Ferrule (Crimping) to fit 10mm Diameter Stainless Steel Wire Rope Delivered to our OHTE Store, 1 Morris Road, Empangeni Rail. Contact: Mr Pierre Crocker Tel: 035-905 3638 / 083 279 0437.								
00030		Thimble Stainless Steel	900	ea	12.02.2014			
Supply & Deliver, 900 x Thimbles, Stainless Steel (304) to fit 10mm Stainless Steel Wire Rope (316).								



Transnet SOC Limited
 Transnet RME
 BOARD LIST TFR RME
 TRANSNET FREIGHT RAIL - RME
 PROCUREMENT DEPARTMENT
 2000
 YOUR VAT NUMBER WITH US: NOT

REQUEST FOR QUOTATION

Registration Number: 1990/000900/06
 Vat Number : 4720103177

Attention:
 TFR Tender Board.
 Telephone Number :
 Fax Number :
 Vendor Number :2004815

Quotation Deadline Date : 05.02.2014
Quotation Deadline Time : 12:00

REQUEST for QUOTATION

Transnet RME

RFQ Number / Date

6000186752 / 27.01.2014

Contact Person / Telephone

Eddie Quinn / 035 905 3664

Return to VAX Number/EMAIL

0865159978 / TCPtendersRichardsBay@Transnet.net

Item	Material	Description	RFQ Qty	UoM	Required Del date	Confirm Del date	Unit Price Excl	Total Price Excl
		Delivered to our OHTE Store, 1 Morris Road, Empangeni Rail. Contac: Mr Pierre Crocker Tel: 035-905 3638 / 083 279 0437.						
00040		Rope Thimble as per Drg	130	ea	12.02.2014			
		Supply & Deliver, 130 x Rope Thimbles Hot Dipped Galvanised, as per the attached Drawing No: CEE-TNB -39. Delivered to our OHTE Store, 1 Morris Road, Empangeni Rail. Contac: Mr Pierre Crocker Tel: 035-905 3638 / 083 279 0437.						
00050		Rope Thimble as per Drg	110	ea	12.02.2014			
		Supply & Deliver, 110 x Rope Thimbles - Stainless Steel (304), as per the attached Drawing No: CEE-TNB -85. Delivered to our OHTE Store, 1 Morris Road, Empangeni Rail. Contac: Mr Pierre Crocker Tel: 035-905 3638 / 083 279 0437.						

Transnet Limited t/a Transnet Freight Rail (R.M.E.) # Richards Bay, hereby invite your company to submit a detailed quotation for:

The Supply, Delivery & Offloading of Various Stainless Steel Lifting Wire and Stainless Steel Thimbles, delivered to our OHTE Store at 1 Morris Road, Empangeni Rail.



Transnet SOC Limited
Transnet RME
 BOARD LIST TFR RME
 TRANSNET FREIGHT RAIL - RME
 PROCUREMENT DEPARTMENT
 2000
 YOUR VAT NUMBER WITH US: NOT

REQUEST FOR QUOTATION

Registration Number: 1990/000900/06
Vat Number : 4720103177

Attention:
 TFR Tender Board.
 Telephone Number :
 Fax Number :
 Vendor Number :2004815

Quotation Deadline Date : 05.02.2014
Quotation Deadline Time : 12:00

REQUEST for QUOTATION

Transnet RME

RFQ Number / Date

6000186752 / 27.01.2014

Contact Person / Telephone

Eddie Quinn / 035 905 3664

Return to VAX Number/EMAIL

0865159978 / TCPtendersRichardsBay@Transnet.net

Item	Material	Description	RFQ Qty	UoM	Required Del date	Confirm Del date	Unit Price Excl	Total Price Excl
------	----------	-------------	---------	-----	-------------------	------------------	-----------------	------------------

All technical queries relating to this invitation may be addressed to;
 Mr. Pierre Crocker Tel: 083 279 0437 / 035-905 3638.

All tender related queries pertaining to this invitation may be addressed to;
 Mr. Eddie Quinn, Tel: 035 # 905 3664.

The closing time for receipt of your official quotations is 12:00 hours on Wednesday, 05 February 2014.

Transnet desires a validity period of 90 (Ninety) days from the closing date of this RFQ.

Telephonic and late quotes will not be accepted.

All quotations should be clearly marked, and may be dropped in our tender box, or alternatively forwarded to:

Me Yogeshnie Gengan, Tender & Fax Assistant,

Fax No: 086 515 9978 and / or

e-mailed to: TCPtendersRichardsBay@transnet.net

Physical address for delivering quotations, if required, is:

Transnet Capital Projects Richards Bay
 Tender Box in Main Foyer
 Old Naval Base,
 Commodores Close,
 Meerensee,



Transnet SOC Limited
Transnet RME
 BOARD LIST TFR RME
 TRANSNET FREIGHT RAIL - RME
 PROCUREMENT DEPARTMENT
 2000
 YOUR VAT NUMBER WITH US: NOT

REQUEST FOR QUOTATION

Registration Number: 1990/000900/06
Vat Number : 4720103177

Attention:
 TFR Tender Board.
 Telephone Number :
 Fax Number :
 Vendor Number :2004815

Quotation Deadline Date : 05.02.2014
Quotation Deadline Time : 12:00

REQUEST for QUOTATION
 Transnet RME
RFQ Number / Date
 6000186752 / 27.01.2014
Contact Person / Telephone
 Eddie Quinn / 035 905 3664
Return to VAX Number/EMAIL
 0865159978 / TCPtendersRichardsBay@Transnet.net

Item	Material	Description	RFQ Qty	UoM	Required Del date	Confirm Del date	Unit Price Excl	Total Price Excl
------	----------	-------------	---------	-----	-------------------	------------------	-----------------	------------------

The contractor's address and identification details have to be shown on each quotation submitted.

N.B.

Please supply the following documents with your quotation submitted;

- Valid Tax Clearance certificate.
- Copy of your latest B.B.B.E.E. Certificate.

Failing to submit any of the documents mentioned above, could result in your quotation to be disqualified / not accepted. !!!

Note: #Transnet may not necessarily accept the lowest or any other offer and reserves the right to select in its favor any or, a portion of any offer made"

If you have been contacted directly by the Supply Chain Office (Via a RFQ.), and you are unable to quote for these items, please submit a "NO QUOTE".

Otherwise we look forward to receive your detailed quote by the date and time stated.

Yours faithfully,

"PREVIEW COPY ONLY"



REQUEST FOR QUOTATION

Transnet SOC Limited
 Transnet RME
 BOARD LIST TFR RME
 TRANSNET FREIGHT RAIL - RME
 PROCUREMENT DEPARTMENT
 2000
 YOUR VAT NUMBER WITH US: NOT

Registration Number: 1990/000900/06
 Vat Number : 4720103177

Attention:

TFR Tender Board.
 Telephone Number :
 Fax Number :
 Vendor Number :2004815

Quotation Deadline Date : 05.02.2014
Quotation Deadline Time : 12:00

REQUEST for QUOTATION

Transnet RME

RFQ Number / Date

6000186752 / 27.01.2014

Contact Person / Telephone

Eddie Quinn / 035 905 3664

Return to VAX Number/EMAIL

0865159978 / TCPtendersRichardsBay@Transnet.net

Delivery Address

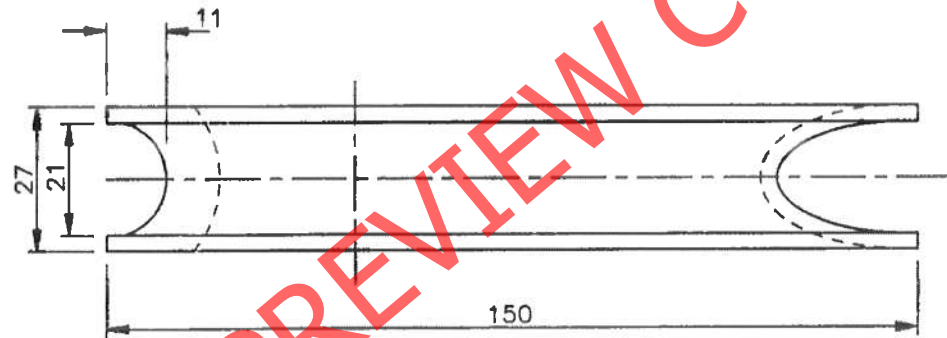
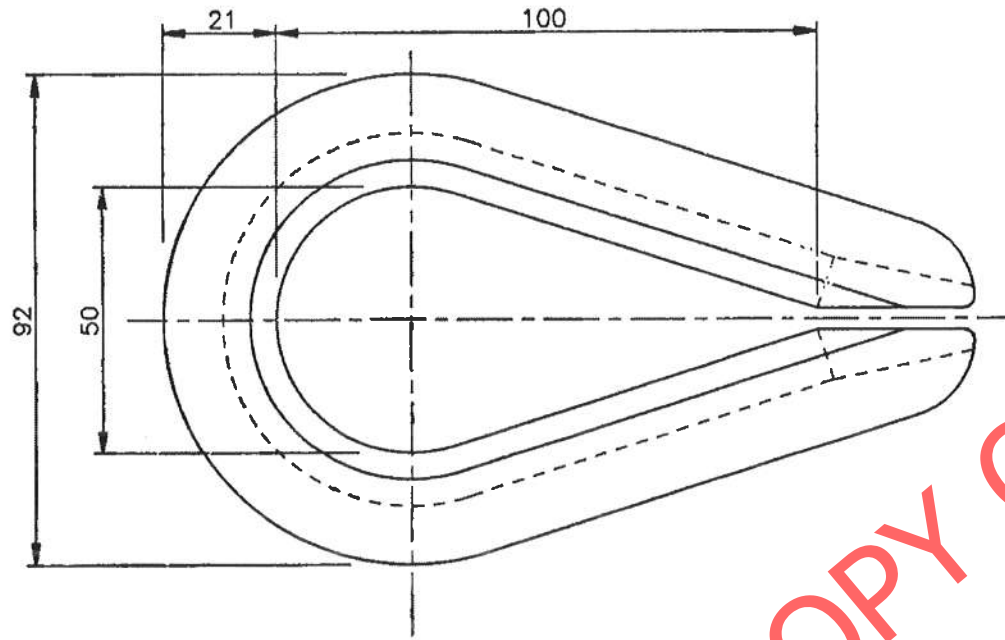
TFR RME Richards Bay
 Old Naval Base, Commodores Clo
 Meerensee, Richards Bay
 3900

This RFQ is subject to the following conditions:

1. Price/s : The price/s quoted in SA currency and is excluding of V.A.T
2. Delivery : The price/s quoted should include delivery cost to the delivery address stated on the RFQ
3. Returnables : A valid tax clearance certificate and BBEE certificate from a SANAS accredited verification agency attached to quotation for all quotes above R30 000.
Please note that only the official Transnet RFQ will be accepted and all other correspondence to be attached to the original
4. Safety : To confirm to Transnet Capital Projects Health & Safety plan and specification; HAS-std-0001, copy available on request.
5. Confirmation: To confirm your participation in this tender process please sign and return this document as immediate effect prior to the quotation deadline.
6. Negotiations: The Employer may elect to negotiate the final terms of the contract/order with the preferred tenderer in accordance with Clauses F.2.17 and F.3.13 of the CIDB Standard Conditions of Tender. A copy of which is available upon request.

 Signature

 Date



"PREVIEW COPY ONLY"

FINISH
ZINC COAT TO SABS 763 FOR CONDITIONS IN SITU

AMENDMENTS

NO	NAME	DATE
1	JVT	95-09-11

REVISED, DRG NO WAS
CEE-TN-394.
DO REF: T95/052

MATERIAL: ITEM NO 11/——, STEEL SEE SPEC SABS 811

DO REF: J27/68 GEN TOL: LIN± 0,4 ANG± -

DRN: L. N. CKD: E.F.J. DATE: 68-03-27

ENG: D.D.M.C. W PHILLIPS for CHIEF ENG

ROPE THIMBLE

∅22mm WIRE

INFRASTRUCTURE
(ELECTRICAL)



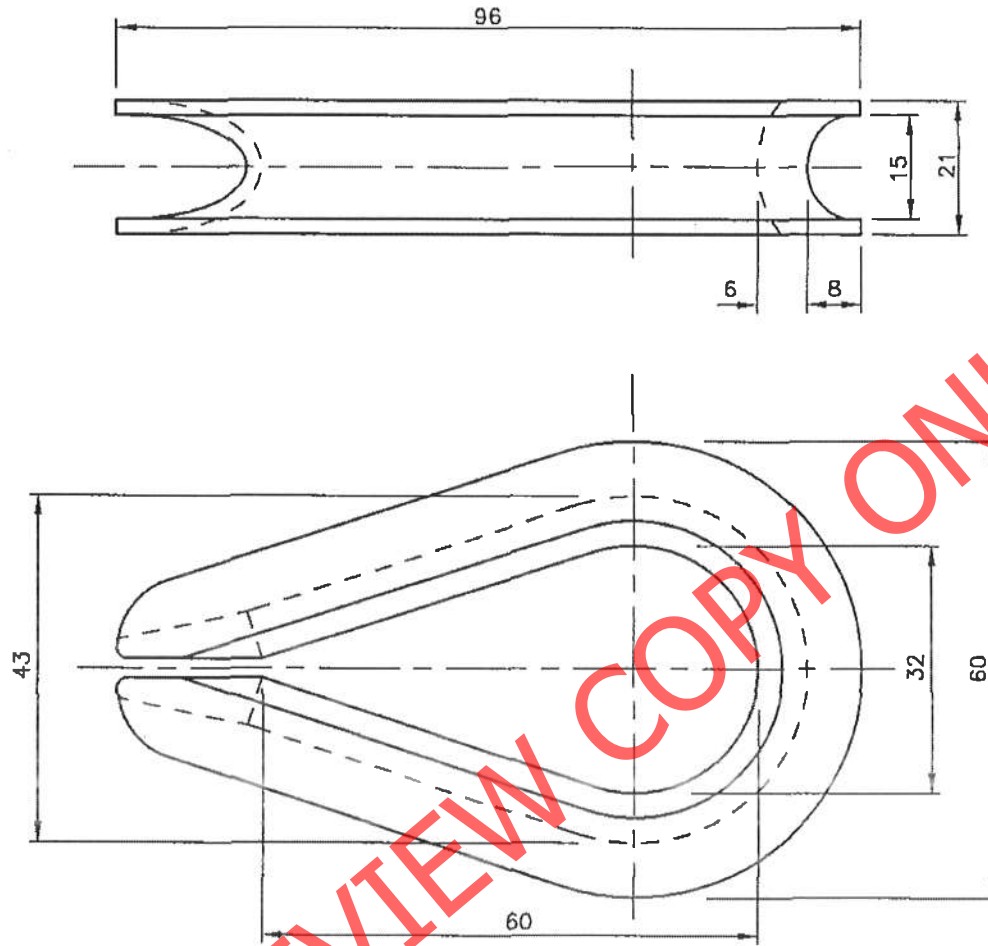
DIMENSIONS: mm
SCALE: 1:1



DRAWING NO CEE-
TNB-39

SHEET - OF -

T0000962



"PREVIEW COPY ONLY"

FINISH - STAINLESS STEEL (304.)

AMENDMENTS		
NO	NAME	DATE
1	JVT	2000-10-30

REVISED, DRG NO WAS CEE-TN-292.
DO REF: T96/001

STORES ITEM NO.
54/5264

DIMENSIONS: mm
SCALE: NTS

MATERIAL: ITEM NO 11/_____, STEEL SEE SPEC SABS 811

DO REF: J27/68	GEN TOL: LIN± 0,5	ANG± 1°
DRN: L N	CKD: E F J	DATE: 68-03-27
ENG: D McKAY	W PHILLIPS	for CHIEF ENG

ROPE THIMBLE

WIRE SIZE - 100mm²



DRG NO CEE-
TNB-85

SHT - OF -

CENTRAL DRAWING OFFICE  SPOORNET