



**Transnet SOC Limited
Transnet RME**

REQUEST FOR QUOTATION

TFR RME RFQ Board
TFR RME RFQ Board
Transnet Freight Rail - RME
PROCUREMENT DEPARTMENT

**Registration Number: 1990/000900/06
Vat Number : 4720103177**

Attention:

Telephone Number :
Fax Number :
Vendor Number : 500000

**Quotation Deadline Date : 14.11.2013
Quotation Deadline Time : 16:00**

REQUEST for QUOTATION
Transnet RME
RFQ Number / Date
6000180903 / 04.11.2013
Contact Person / Telephone
Troy Stevens / 021 940 1892
Return to VAX Number/EMAIL
0218100000 / TCPtendersCapeTown@Transnet.net

Item	Material	Description	RFQ Qty	UoM	Required Del date	Confirm Del date	Unit Price Excl	Total Price Excl
00010		Tube 3200mm	30	ea	29.11.2013			

Tube 3200mm
Tube C/L 3200mm HDG 280mm hole CRS (TMC42)

Contact person Jeff Niemand 0834556385

Project number 1414792

Delivery address: Bellville Square store

Please note these requirements must accompany your response:

We also require a list of qualified welders coded welder's certificates.

Previous project completed in steelwork manufacture and references (3 years)

Requester and Delivery Address:



Transnet SOC Limited
Transnet RME
 TFR RME RFQ Board
 TFR RME RFQ Board
 Transnet Freight Rail - RME
 PROCUREMENT DEPARTMENT
 0000

REQUEST FOR QUOTATION

Registration Number: 1990/000900/06
Vat Number : 4720103177

Attention:
 Telephone Number :
 Fax Number :
 Vendor Number :500000

Quotation Deadline Date : 14.11.2013
Quotation Deadline Time : 16:00

REQUEST for QUOTATION
 Transnet RME
RFQ Number / Date
 6000180903 / 04.11.2013
Contact Person / Telephone
 Troy Stevens / 021 940 1892
Return to VAX Number/EMAIL
 0218100000 / TCPtendersCapeTown@Transnet.net

Item	Material	Description	RFQ Qty	UoM	Required Del date	Confirm Del date	Unit Price Excl	Total Price Excl
------	----------	-------------	---------	-----	-------------------	------------------	-----------------	------------------

Richard Carswell - Transnet Freight Rail (RME)
 Deliver to Bellville Square Bellville South
 Western Cape

Tel: Richard Carswell 0219401813 & 0834556391
 Cell: Jeff Niemand 0834556385
 Email: richard.carswell@transnet.net
 Fax: 021 9401938

If you are unable to quote for this enquiry, please submit a NO QUOTE, with a short reason, if possible, for not being able to quote.

Otherwise we look forward to receive your quote by the date and time stated.

00020		Tube 2750mm	30	ea	29.11.2013			
-------	--	-------------	----	----	------------	--	--	--

Tube 2750mm
 Tube C/L 2750mm U/C HDG 280 hole CRS (TMC 42)

Contact person Jeff Niemand 0834556385

Project number 1414792



Transnet SOC Limited
Transnet RME
 TFR RME RFQ Board
 TFR RME RFQ Board
 Transnet Freight Rail - RME
 PROCUREMENT DEPARTMENT
 0000

REQUEST FOR QUOTATION

Registration Number: 1990/000900/06
Vat Number : 4720103177

Attention:

Telephone Number :
 Fax Number :
 Vendor Number :500000

Quotation Deadline Date : 14.11.2013
Quotation Deadline Time : 16:00

REQUEST for QUOTATION
 Transnet RME
RFQ Number / Date
 6000180903 / 04.11.2013
Contact Person / Telephone
 Troy Stevens / 021 940 1892
Return to VAX Number/EMAIL
 0218100000 / TCPtendersCapeTown@Transnet.net

Item	Material	Description	RFQ Qty	UoM	Required Del date	Confirm Del date	Unit Price Excl	Total Price Excl
------	----------	-------------	---------	-----	-------------------	------------------	-----------------	------------------

Delivery address: Bellville Square store

Please note these requirements must accompany your response:

We also require a list of qualified welders coded welder's certificates.

Previous project completed in steelwork manufacture and references (3 years)

Requester and Delivery Address:

Richard Carswell - Transnet Freight Rail (RME)
 Deliver to Bellville Square Bellville South
 Western Cape

Tel: Richard Carswell 0219401813 & 0834556391
 Cell: Jeff Niemand 0834556385
 Email: richard.carswell@transnet.net
 Fax: 021 9401938

If you are unable to quote for this enquiry, please submit a NO QUOTE, with a short reason, if possible, for not being able to quote.

Otherwise we look forward to receive your quote by the date and time stated.

Transnet SOC Limited
 Transnet RME
 TFR RME RFQ Board
 TFR RME RFQ Board
 Transnet Freight Rail - RME
 PROCUREMENT DEPARTMENT
 0000

REQUEST FOR QUOTATION

Registration Number: 1990/000900/06
 Vat Number : 4720103177

**Attention:**

Telephone Number :
 Fax Number :
 Vendor Number :500000

Quotation Deadline Date : 14.11.2013
Quotation Deadline Time : 16:00

REQUEST for QUOTATION

Transnet RME
RFQ Number / Date
 6000180903 / 04.11.2013
Contact Person / Telephone
 Troy Stevens / 021 940 1892
Return to VAX Number/EMAIL
 0218100000 / TCPtendersCapeTown@Transnet.net

Item	Material	Description	RFQ Qty	UoM	Required Del date	Confirm Del date	Unit Price Excl	Total Price Excl
------	----------	-------------	---------	-----	-------------------	------------------	-----------------	------------------

Delivery Address

TFR RME Cape Town
 De Gatt Complex, Behind Propne
 Bellville South, Cape Tow
 7530

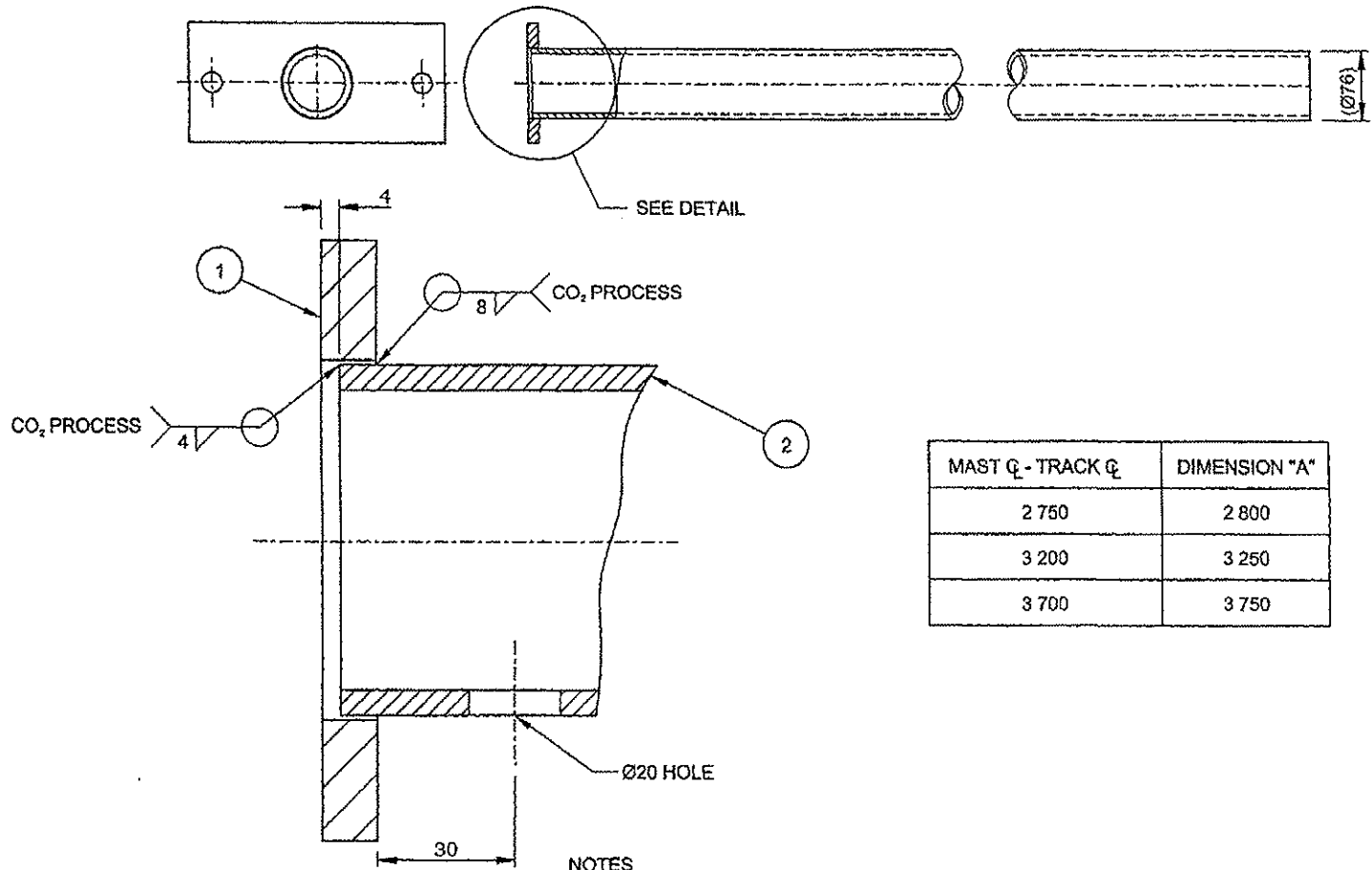
This RFQ is subject to the following conditions:

1. Price/s : The price/s quoted in SA currency and is excluding of V.A.T
2. Delivery : The price/s quoted should include delivery cost to the delivery address stated on the RFQ
3. Returnables : A valid tax clearance certificate and BBBEE certificate from a SANAS accredited verification agency attached to quotation for all quotes above R30 000.
Please note that only the official Transnet RFQ will be accepted and all other correspondence to be attached to the original
4. Safety : To confirm to Transnet Capital Projects Health & Safety plan and specification; HAS-std-0001, copy available on request.
5. Confirmation: To confirm your participation in this tender process please sign and return this document as immediate effect prior to the quotation deadline.
6. Negotiations: The Employer may elect to negotiate the final terms of the contract/order with the preferred tenderer in accordance with Clauses F.2.17 and F.3.13 of the CIDB Standard Conditions of Tender. A copy of which is available upon request.

 Signature

 Date

ITEM	DESCRIPTION	QTY	STORES ITEM NO	DRG NO CEE-	AMENDMENTS		
1	BASE PLATE	1		TMFB-135	NO	NAME	DATE
2	PIPE, STEEL, Ø65 x 5,5 (MAX) WALL THK x "A" LG TO SPEC SABS 62	1	13/1261		5	JP du PLESSIS	95-08-28



DETAIL
SCALE 1:1

- NOTES
1. FOR JOINING OF CANTILEVER TUBE SEE DRG NO CEE-TMC-101.
 2. WELDING TO CONFORM TO BS 5135.
 3. ZINC COAT TO SPEC SABS ISO 1461 FOR CONDITIONS IN SITU AFTER WELDING.

REVISED, NOTES ADDED.
DO REF: T95/048

6 *[Signature]* 20/6/2003

ITEM 2: "HEAVY CLASS"
ADDED AND SPEC
DESCRIPTION REVISED.
ECP REF: 2002-043
DO REF: CDO/728

MAST Q - TRACK Q	DIMENSION "A"
2 750	2 800
3 200	3 250
3 700	3 750

DIMENSIONS: mm
SCALE: 1:5

A3

DRAWING NO CEE-
TMC-42

SHEET - OF -

DO REF: Y76/43 GEN TOL: LIN± 0,5 ANG± -

DRN: J HIBBERS CKD: W R G DATE: 78-03-31

ENG: F H PIENAAR for CHIEF ENG

CENTRAL DRAWING OFFICE SPOORNET

TUBULAR CANTILEVER
203 x 203 UNIVERSAL COLUMN MAST