



Transnet SOC Limited
Transnet RME

REQUEST FOR QUOTATION

TFR RME RFQ Board
TFR RME RFQ Board
Transnet Freight Rail - RME
PROCUREMENT DEPARTMENT

Registration Number: 1990/000900/06
Vat Number : 4720103177

Attention:

Telephone Number :
Fax Number :
Vendor Number :500000

Quotation Deadline Date : 11.09.2013
Quotation Deadline Time : 16:00

REQUEST for QUOTATION
Transnet RME
RFQ Number / Date
6000172659 / 30.08.2013
Contact Person / Telephone
Troy Stanger / 021 940 1892
Return to FAX Number/EMAIL
021810000 / TCPtendersCapeTown@Transnet.net

PREVIEW COPY ONLY

Item	Material	Description	RFQ Qty	Unit	Required Del date	Confirm Del date	Unit Price Excl	Total Price Excl
00010		Switch 25KV	5	ea	02.10.2013			

Switch 25KV
Track switch 25kv AC mounted on concrete masts complete with operating handle, rod and all steelwork to drawing CEE-TM6-136

Jeff Niemand 0834556385

Project number 1414792

Delivery address Bellville Square stores

Requester and Delivery Address:

Richard Carswell - Transnet Freight Rail (RME)
Deliver to Bellville Square Bellville South
Western Cape

Tel: Richard Carswell 0219401813 & 0834556391
Cell: Jeff Niemand 0834556385



Transnet SOC Limited
 Transnet RME
 TFR RME RFQ Board
 TFR RME RFQ Board
 Transnet Freight Rail - RME
 PROCUREMENT DEPARTMENT
 0000

REQUEST FOR QUOTATION

Registration Number: 1990/000900/06
 Vat Number : 4720103177

Attention:
 Telephone Number :
 Fax Number :
 Vendor Number :500000

Quotation Deadline Date : 11.09.2013
Quotation Deadline Time : 16:00

REQUEST for QUOTATION
 Transnet RME
RFQ Number / Date
 6000172659 / 30.08.2013
Contact Person / Telephone
 Troy Stoen / 021 940 1892
Return to FAX Number/EMAIL
 021810000 / TCPtendersCapeTown@Transnet.net

Item	Material	Description	RFQ Qty	UoM	Required Del date	Confirm Del date	Unit Price Excl	Total Price Excl
------	----------	-------------	---------	-----	-------------------	------------------	-----------------	------------------

Email: richard.carswell@transnet.net
 Fax: 021 9401938

If you are unable to quote for this enquiry, please submit a NO-BID NOTE, with a short reason, if possible, for not being able to quote.

Otherwise we look forward to receive your quote by the date and time stated.

"PREVIEW COPY ONLY"



Transnet SOC Limited
Transnet RME
 TFR RME RFQ Board
 TFR RME RFQ Board
 Transnet Freight Rail - RME
 PROCUREMENT DEPARTMENT
 0000

REQUEST FOR QUOTATION

Registration Number: 1990/000900/06
Vat Number : 4720103177

Attention:

 Telephone Number :
 Fax Number :
 Vendor Number :500000

Quotation Deadline Date : 11.09.2013
Quotation Deadline Time : 16:00

REQUEST for QUOTATION
 Transnet RME
RFQ Number / Date
 6000172659 / 30.08.2013
Contact Person / Telephone
 Troy Stevens / 021 940 1892
Return to FAX Number/EMAIL
 021810000 / TCPTendersCapeTown@Transnet.net

Delivery Address

TFR RME Cape Town
 De Gatt Complex, Behind Propne
 Bellville South, Cape Tow
 7530

This RFQ is subject to the following conditions:

1. Price/s : The price/s quoted in SA currency and is excluding of V.A.T
2. Delivery : The price/s quoted should include delivery cost to the delivery address stated on the RFQ
3. Returnables : A valid tax clearance certificate and BBBEE certificate from a SANAS accredited verification agency attached to quotation for all quotes above R30 000.
 Please note that only the official Transnet RFQ will be accepted and all other correspondence to be attached to the original
4. Safety : To confirm to Transnet Capital Projects Health & Safety plan and specification; HAS-std-0001, copy available on request.
5. Confirmation: To confirm your participation in this tender process please sign and return this document as immediate effect prior to the quotation deadline.
6. Negotiations: The Employer may elect to negotiate the final terms of the contract/order with the preferred tenderer in accordance with Clauses F.2.17 and F.3.13 of the CIDB Standard Conditions of Tender. A copy of which is available upon request.

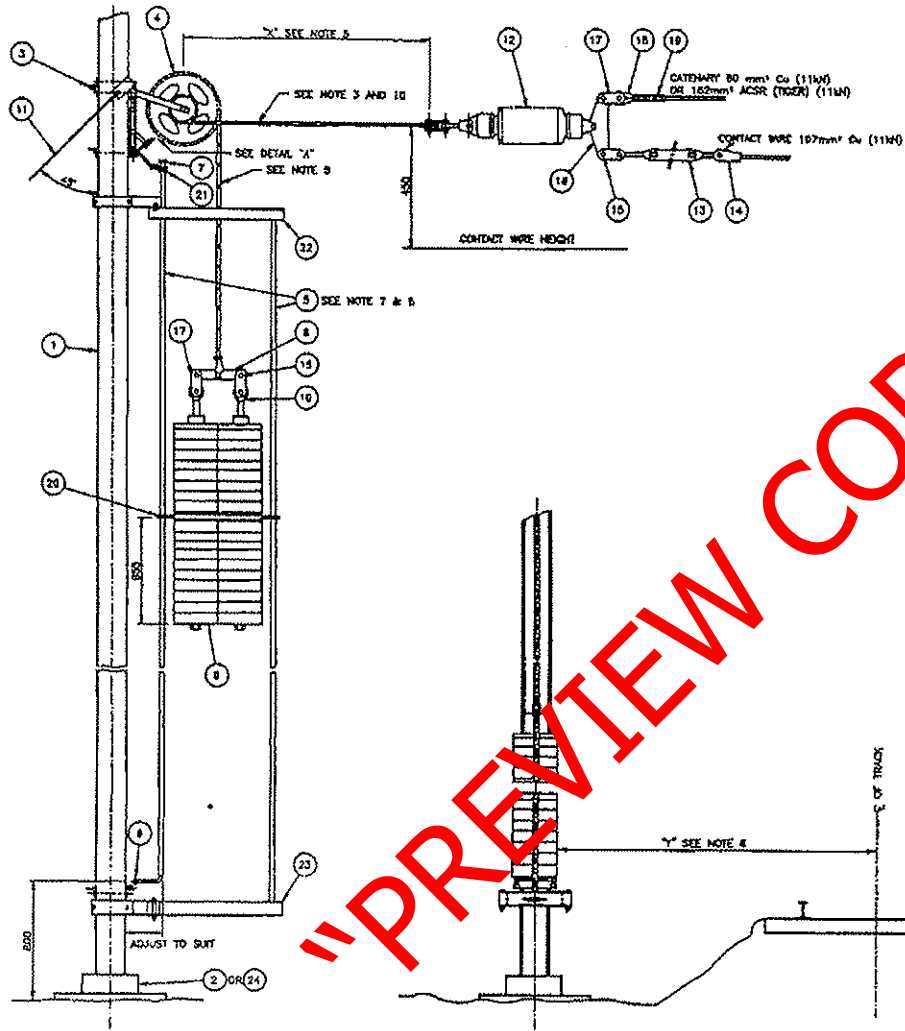
 Signature

 Date

"PREVIEW COPY ONLY"

2013/08/20

Manganese Ph1 WT Device CEE-TPB-14		
Drg No	Description	Qty
TMF523	Pulley WT with sealed bearings	100
BBB0445/6/7	Support Frame Top and Bottom complete	200
	Guide rod for weights Galv pipe 25mmdia x 3,5 wall x 6m L	200
TMHF99	Yoke Plate for weights	100
TMFB190	Link Plate for weights	100
BBB0305	Eye Rod for weights	100
TMFB191	Weight Collar	100
BBB0444	Bracket Assembly WT Mounting concrete mast	100
BBO442#1	Clamping Bracket WT Bottom L=350 Hole crs 280mm	100
BBO442#2	Clamping Bracket WT Top L=350 Hole crs 280mm	100
1423337	Bottom Plate WT Weights 660x252x12	100
BBB135	Staywire attachment	100
BBB136	Clamping Bracket Stay	100
TMFB177#1	Fish Plate	200
TMFB177#2	Adjusting plate	100
	Concrete weights x28 per set 25kg ea 350mm dia	100



ITEM	DESCRIPTION	QTY	STORES ITEM NO	DRG NO CEE-	AMENDMENTS	
					NO	DATE
1	MAST, UNIVERSAL COLUMN 216 x 209 x 71 kg/m	1				
2	FOUNDATION, CORE TYPE	1			TD-57	
3	BRACKET, MOUNTING OF WEIGHT TENSIONING DEVICE ONTO UG. MAST	1			TMFB-180	
4	PULLEY 3:1 MECHANICAL ADVANTAGE	1			TMFB-180	
5	STEEL TUBE, GALV. #32 O.D. x 3.8 WALL THICKNESS (SEE NOTE 7 & 8)	2			TMFB-180	
6	ASSEMBLY FASTENING PARTS, GUIDE TUBE	1			TMFB-180	
7	CAP (3) SABS 809 TABLE 20 SIZE 33)	1			TMFB-180	
8	WEIGHT PLATE - BALANCE WEIGHT	1			TMFB-180	
9	WEIGHT 1.5kg CONCRETE #320	20			TMFB-180 SH 1-20(1)	
10	EYE ROD FOR BALANCE WEIGHTS	2			2880302	
11	STAY WIRE ARRANGEMENT	1			TMFB-180	
12	INSULATOR, SOLID CORE 25KV	1	54/11228		TMFB-180	
13	MURKBUCKLE 402mm TAKE-UP	1	54/1825		TMFB-180	
14	ROUND CONG. 107mm CONTACT WIRE	1	54/4876		TMFB-180	
15	IRON STRAIGHT, HEADED, GLEW #16	11	54/4020		TMFB-180	
16	WIRE PLATE	1			TMFB-180	
17	ADAPTOR PLATE (LINK STRAP BORN)	1	54/2171		TMFB-180	
18	WASHER	1	54/110722		TMFB-180	
19	CLAMP ELECTRICAL CONNECTION, WIRE	1			TMFB-180	
20	WEIGHT COLLAR - DOUBLE COLLAR WITH WEIGHT TENSION DEVICE	1			TMFB-180	
21	LOCKING RING ASSEMBLY - WEIGHT TENSION ARRANGEMENT, GUIDE TUBE	1			TMFB-180	
22	TOP SUPPORT FRAME (1) GUIDE TUBE	1			TMFB-180	
23	BOTTOM SUPPORT FRAME (1) GUIDE TUBE	1			TMFB-180	
24	FOUNDATION, RECT PLANT	1			TMFB-180	

"PREVIEW COPY ONLY"

- NOTES
1. TO BE ADJUSTED AFTER ERECTION.
 2. TOTAL MASS OF WEIGHTS 750kg.
 3. GALVANISED STEEL ROPES SUPPLIED WITH WEIGHT TENSIONING DEVICE MUST UNDER NO CIRCUMSTANCES BE CUT TO SHORTER LENGTHS.
 4. FOR METHOD TO MOUNT WEIGHTS, SEE DRG NO CEE-TP-259.
 5. FOR ADJUSTMENT CHARTS, SEE DRG NO CEE-TP-262.
 6. DIMENSION 'X' MUST NOT BE LESS THAN THE MINIMUM CLEARANCE REQUIRED FOR THE PARTICULAR CONDITIONS AS SET OUT ON ANNEXURE 1 OF THE 'PERMANENT WAY INSTRUCTIONS'.
 7. LENGTH TO BE DETERMINE ON SITE.
 8. USE STANDARD THREADED WATER PIPE AND MOUNT WITH ONE THREADED END ON TOP.
 9. THIS DRG TO BE READ IN CONJUNCTION WITH SAEO CEE-0131.85/1.
 10. STEEL ROPE TO HAVE MINIMUM TENSILE STRENGTH OF 87kN UNLESS OTHERWISE STATED.

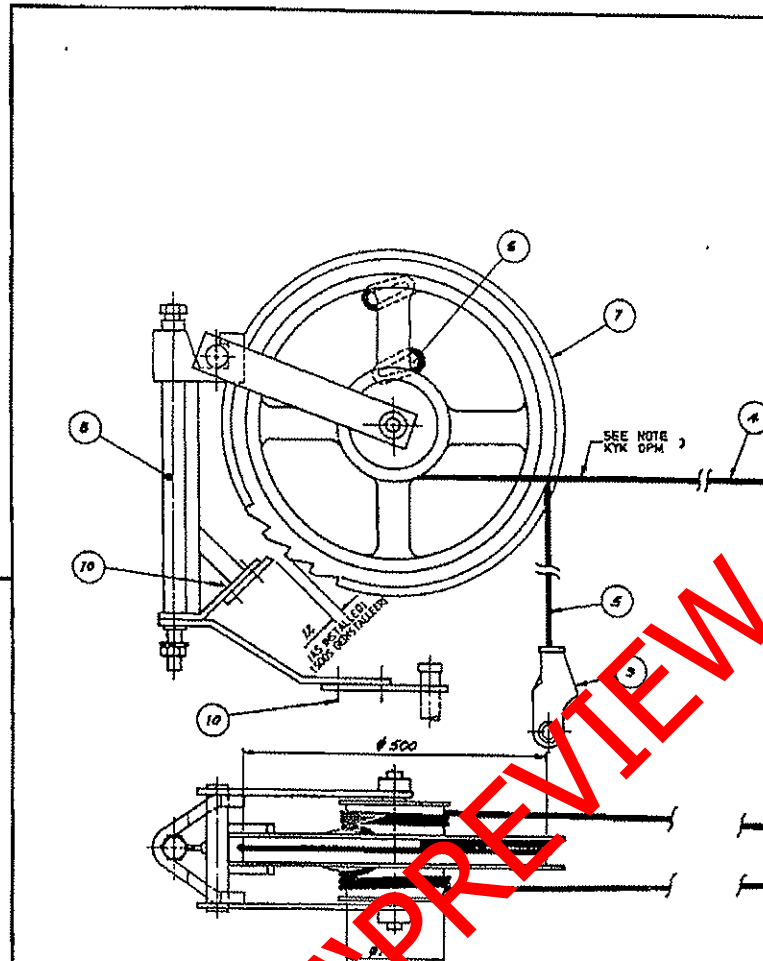
BBB0444

BBB0445/6/7

NO REF. TO 1/8/012 GEN. TOL. LINE 1 ANSE 1
 DRG. NO. OF WORKS, CND. N. E. WOOD LEASE 24-24-24
 ENG. 1/24/24 FOR 24/24/24

WEIGHT TENSIONING ARRANGEMENT
 DOUBLE COLLAR CONCRETE WEIGHTS WITH DOUBLE GUIDES
 25KV AC ELECTRIFICATION

DIMENSIONS: PPM
 SCALE: X/15
 A1
 DRAWING NO CEE-TPB-14
 SHEET - OF -



ITEM	DESCRIPTION - BESKRYWING	QTY	STOKES ITEM	LOCASIONS	AMENDMENTS
		NUM	NO	NO CEE	WYBYSINGE
					NO. NAME DATE
1	SWIVEL FITTING DRAAIKOPSTUK	1			
2	LINK PLATES SKAKELSTROKKE				
3	PULLEY KATROL Ø85	1			
4	GALVANISED STEEL ROPE GEGALVANISEERDE STAALKABEL	1			ITEM 4,5 AND NOTES WERE STAINLESS STEEL
5	GALVANISED STEEL ROPE GEGALVANISEERDE STAALKABEL	1			ITEM 4,5 EN OPM 3 WAS VLEKVRYE STAAL.
6	WEDGE WIG	2			D.O REF T1/85/101. TK-VERW
7	PULLEY KATROL	1			
8	SUSPENSION BRACKET HANGSTEEN	1			
9	END CLIP EINDKLAMP	1			
10	BOLTS AND NUTS FOR ADJUSTMENT. BOUITE EN MOETJE V. VERSTELLING.	4			

NOTES/OPMERKINGS

- PULLEY TO BE SUPPLIED WITH ITEMS 4,5 AND 9
MAKE-OFF
KATROL MOET VOORSYD WORD MET ITEMS 4, 5 EN
9 AFGE-MAAK.
- EFFECTIVE LENGTH OF ROPES AFTER MAKE-OFF:
EFFEKTIEWE LENGTE VAN TOUW NA AF-MAAK:
ITEM 4 - 6112 mm
ITEM 5 - 6156 mm
- EFFECTIVE TENSILE STRENGTH OF GALVANISED
STEEL ROPE MUST NOT BE LESS THAN 57KN.
UNLESS OTHERWISE STATED
EFFEKTIEWE TREKSTERKTE VAN GEGALVANISEERDE STAALKABEL
MOET NIE MINDER AS 57KN WEES NIE TENSY ANDERS VER-MELD.
- THIS DRG TO BE READ IN CONJUNCTION WITH SPEC
NO CEE-013/85II.
HIERDIE TEK MOET SAAM MET SPES NO CEE-013/85II
GELEES WORD.

CEE-TP-257
CEE-TP-263
CEE-TP-264
CEE-TP-265
CEE-TP-267
ASSY DRG
SAMEST-TEK

ELECTRIFICATION TYPES REF
DRG NO CEE-MA-26 SHT 7B
ELEKTRIFIKASJETIPES VERW
TEK NO CEE-MA-26 SHT 7B

MOODLUS ITEM NO.
(M)54/10763

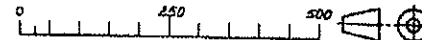
PREVIOUS ITEM NO.
VORIGE

DRAWING NO. CEE-
TMF-523

SHEET OF
VEL VAN

DRN. H. VAN YONKON		GEN. TOLERANCES: LM 1/1	
GET.		ALG. TOLERANSIES: ANG/HOEK	
TRCD. NCT.	H. VAN YONKON	D.O. REF. TK-VERW T1/85/2	ENG. R. B.
CKD. NOS.	A. J. C.	DATE DATUM 88-08-14	Int. P. C.
CHIEF ELECTRICAL ENGINEER ELEKTRISIE HOOFINGENIEUR		JOHANNESBURG	
SOUTH AFRICAN TRANSPORT SERVICES SUID-AFRIKAANSE VERVOERDIENSTE			

ELECTRIFICATION TYPES E, F, G AND H
PULLEY, 3:1 MECHANICAL RATIO.
WEIGHT TENSIONING DEVICE
ELEKTRIFIKASJETIPES E, F, G EN H
KATROL 3:1 MEGANIESE VERHOUDING.
GEWIGSPANNINGTOESTEL



2

3

4

6

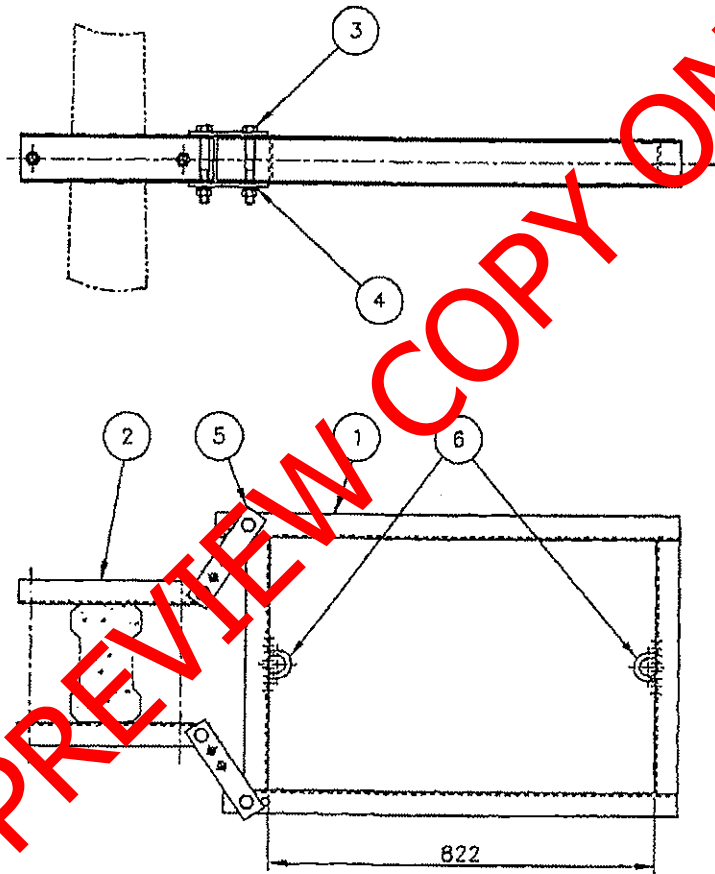
7

7

A2

TMF-523

ITEM	DESCRIPTION	QTY	STORES ITEM NO	DRG NO	VERSION		
1	FRAME	1		BBB0445	NO	NAME	DATE
2	MAST ATTACHMENT BRACKET	2		BBB0447 ITEM 1			
3	BOLT & NUT, STEEL, HEX, GALV, M16 x 155 LG	4					
4	WASHER, LOCK, STEEL, ROUND, GALV, M16	4					
5	LINK STRAP	4		BBB0447 ITEM 2			
6	U-BOLT, STEEL, M12	2		CEE-TX-97			



"PREVIEW COPY ONLY"

DIMENSIONS: mm
SCALE: 1:10



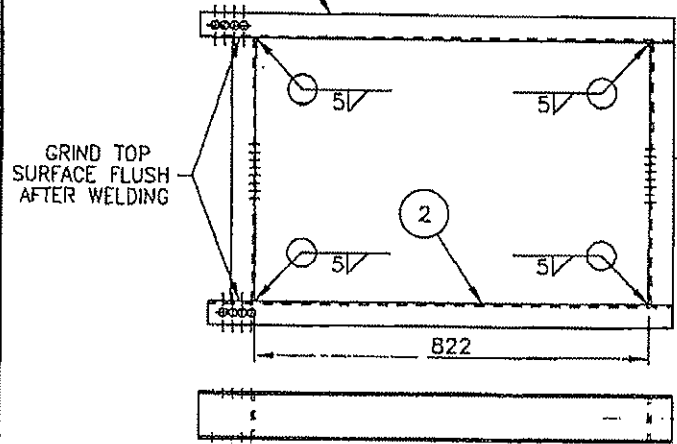
DO REF: CDO/275 GEN TOL: LIN± 2 ANG± —
 DRN: C L BUCKLE CKD: V v DYK DATE: 99-12-10
 ENG: for CHIEF ENG

TOP & BOTTOM SUPPORT FRAME FOR GUIDE RODS
 DOUBLE COLUMN WEIGHTS
 CONCRETE MAST, WEIGHT TENSIONING DEVICE

CENTRAL DRAWING OFFICE
 INFRASTRUCTURE SPOORNET

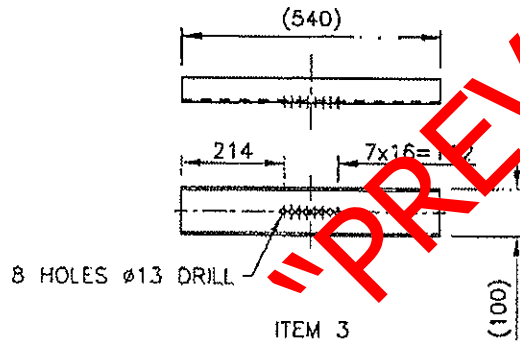
DRAWING NO
BBB0445
 VERSION 1

ITEM	DESCRIPTION	QTY	STORES ITEM NO	DRG NO	VERSION		
					NO	NAME	DATE
1	STEEL CHANNEL, 50 x 100 x 988 LG	1					
2	STEEL CHANNEL, 50 x 100 x 968 LG	1					
3	STEEL CHANNEL, 50 x 100 x 540 LG	2					

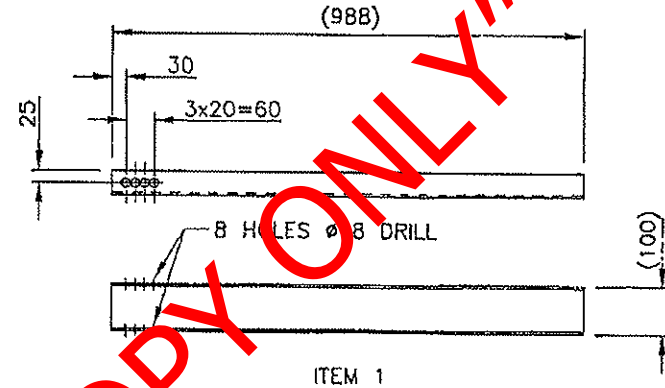


ASSEMBLY

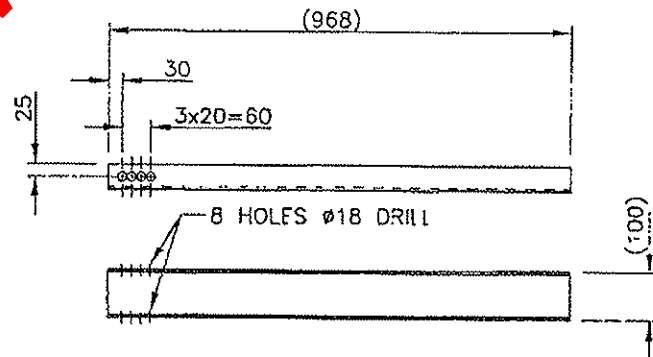
FINISH
ZINC COAT TO SABS 763 FOR CONDITIONS IN SITU AFTER ASSEMBLY



ITEM 3



ITEM 1



ITEM 2

DIMENSIONS: mm
SCALE: 1:10



DRAWING NO

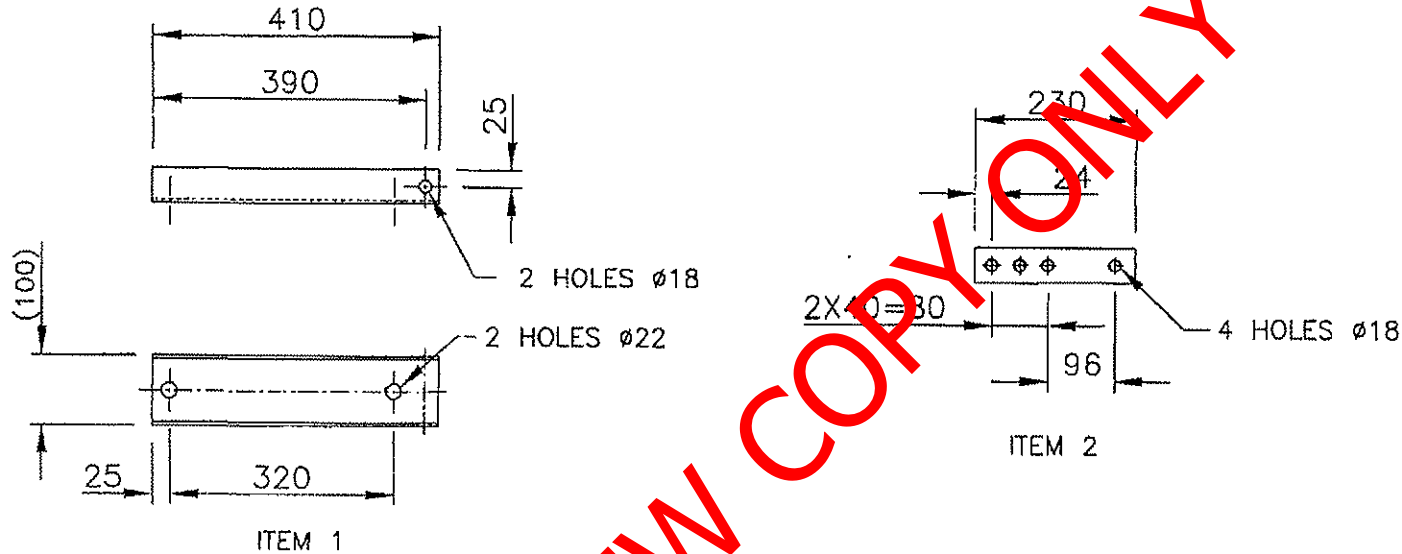
BBB0446

VERSION 1

DO REF: CDO/275	GEN TOL: LIN± 1	ANG±
DRN: C L BUCKLE	CKD: H v DYK	DATE: 99-12-10
ENG:	for CHIEF ENG	
CENTRAL DRAWING OFFICE INFRASTRUCTURE	SPOORNET	

FRAME
TOP & BOTTOM SUPPORT FRAME FOR GUIDE RODS
CONCRETE MAST, WEIGHT TENSIONING DEVICE

ITEM	DESCRIPTION	QTY	STORES ITEM NO	DRG NO	VERSION		
1	STEEL, CHANNEL, 50 x 100 x 410 LG	1	_____	_____	NO	NAME	DATE
2	STEEL, FLAT, 50 x 8 THK	1	_____	_____			



FINISH
ZINC COAT TO SABS 763 FOR CONDITIONS IN SITU.

DIMENSIONS: mm
SCALE: 1:10



DO REF: CDO/275	GEN TOL: LIN ± 1	ANG $\pm -$
DRN: C L BUCKLE	CKD: N v DYK	DATE: 99-12-10
ENG:	for CHIEF ENG	

CENTRAL DRAWING OFFICE
INFRASTRUCTURE



MAST ATTACHMENT BRACKET

TOP & BOTTOM SUPPORT FRAME FOR GUIDE RODS
CONCRETE MAST, WEIGHT TENSIONING DEVICE

DRAWING NO
BBB0447
VERSION 1

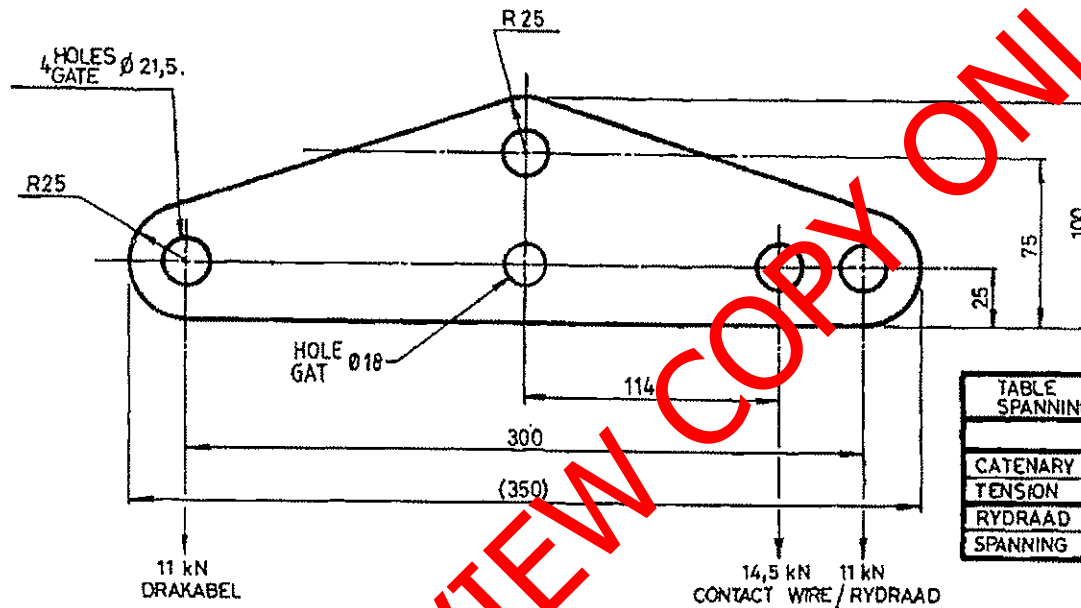


TABLE OF TENSIONS SPANNINGSTABEL		
	AC / WS	DC / GS
CATENARY	80mm ²	100mm ²
TENSION	11 kN	11 kN
RYDRAAD	107mm ²	161 mm ²
SPANNING	11 kN	14,5 kN

DIMENSIONS : MILLIMETRES.
AFMETINGS : MILLIMETER.

MATERIAL - MATERIAAL

STEEL, FLAT 100 x 16 x 350 L.
STAAL, PLAT
SPEC. CME. 9 SYM. 7.
SPES. SIM.

STORES ITEM NO. (M) 11/12635
MAGASYN-

NOTE / OPM.

ZINC COAT TO SPEC. S.A.B.S. 763.
SINKBEDEK VOLG. SPES.



DRN B.J.vdWesthuizen	GEN. TOLERANCES : LIN. : 0,5.	
GET.	ALG. TOLERANSIES : ANG/HOEK	
TRCD B.J.vdWesthuizen	D.O. REF. T2/80/24	ENG. IR.
NGT.	T.K. VERW.	
CKD J.SWIEGERS.	DATE 31.09.08	for ns
NGS.	DATUM	
CHIEF ELECTRICAL ENGINEER ELEKTRIESE HOOFINGENIEUR		JOHANNESBURG

YOKE, PLATE
STANDARD WEIGHT TENSIONING DEVICE
JUK, PLAAT
STANDAARD GEWIGSPANNINGSAPPARAAT

**AMENDMENTS
WYSIGINGS**

NO.	NAME NAAM	DATE DATUM
1	T. Human.	82-04-20.

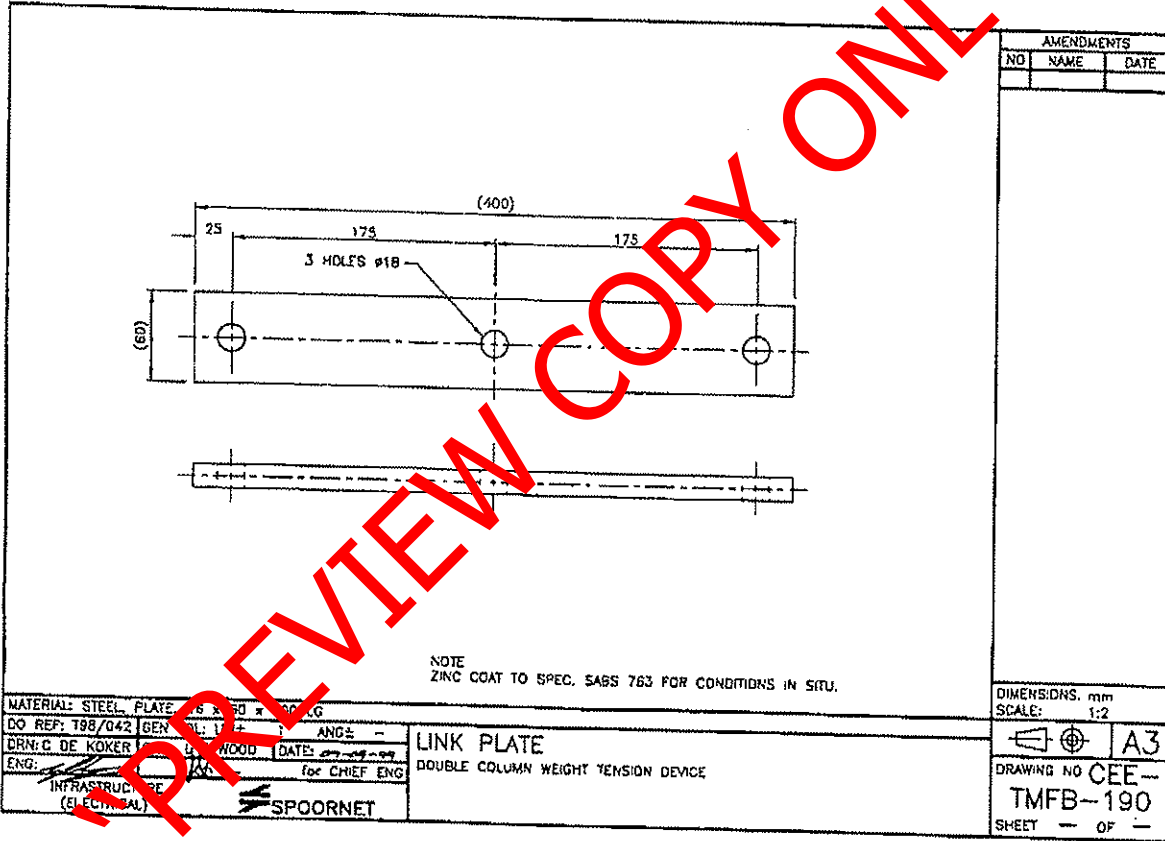
ORG. REVISED.
TEK. HERSIEN.
D.O. REF. T1/82/28
TK-VERW.

CEE-TV-157 SHT. 1
VEL
CEE-TV-178

ASSY. ORG. / SAMEST-TEK.

DRAWING NO CEE-
TEKENING
TMHF-99.

A3



PREVIEW COPY ONLY

Δ 2

Δ 3

Δ 4

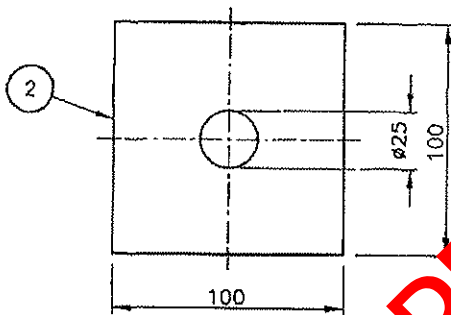
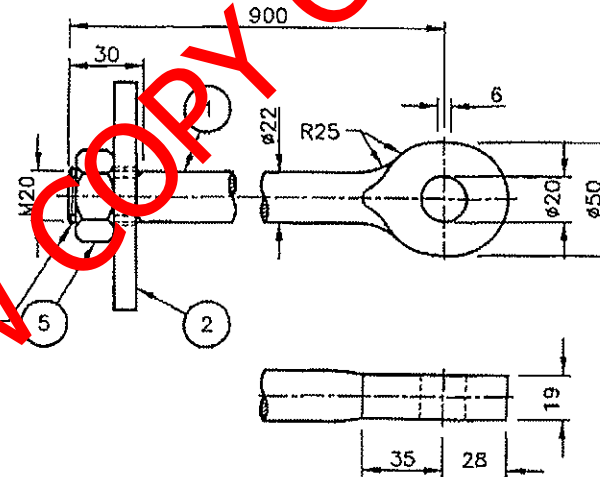
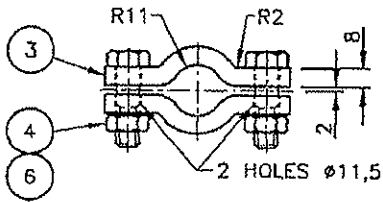
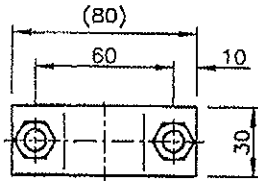
Δ 4

Δ

Δ 3

Δ 2

ITEM	DESCRIPTION	QTY	STORES ITEM NO	DRG NO CEE-	AMENDMENTS		
					NO	NAME	DATE
1	ROD M22 x 1 900 LONG	1					
2	SQUARE WASHER, 100 x 100 x 10 THICK	1					
3	CLIP 30 x 8 THICK x 90 (STRETCHED LENGTH)	2					
4	GALVANISED BOLT & NUT M10 x 35 LONG	2					
5	GALVANISED NUT M20	1					
6	GALVANISED FLAT WASHER M10	2					



SEE NOTE 1

NOTES

1. ROD END TO BE PEENED OVER AFTER ASSEMBLY.
2. ZINC COAT TO SPEC. SABS 783 FOR CONDITIONS IN SITU.

"PREVIEW COPY ONLY"

DO REF: T98/042	GEN TOL: LIN± 1	ANG± -
DRN: C DE KOKER	CKD: L E WOOD	DATE: 09-09-99
ENG:	for CHIEF ENG	
INFRASTRUCTURE (ELECTRICAL)		

EYE ROD FOR BALANCE WEIGHTS
DOUBLE COLUMN WEIGHT TENSION DEVICE

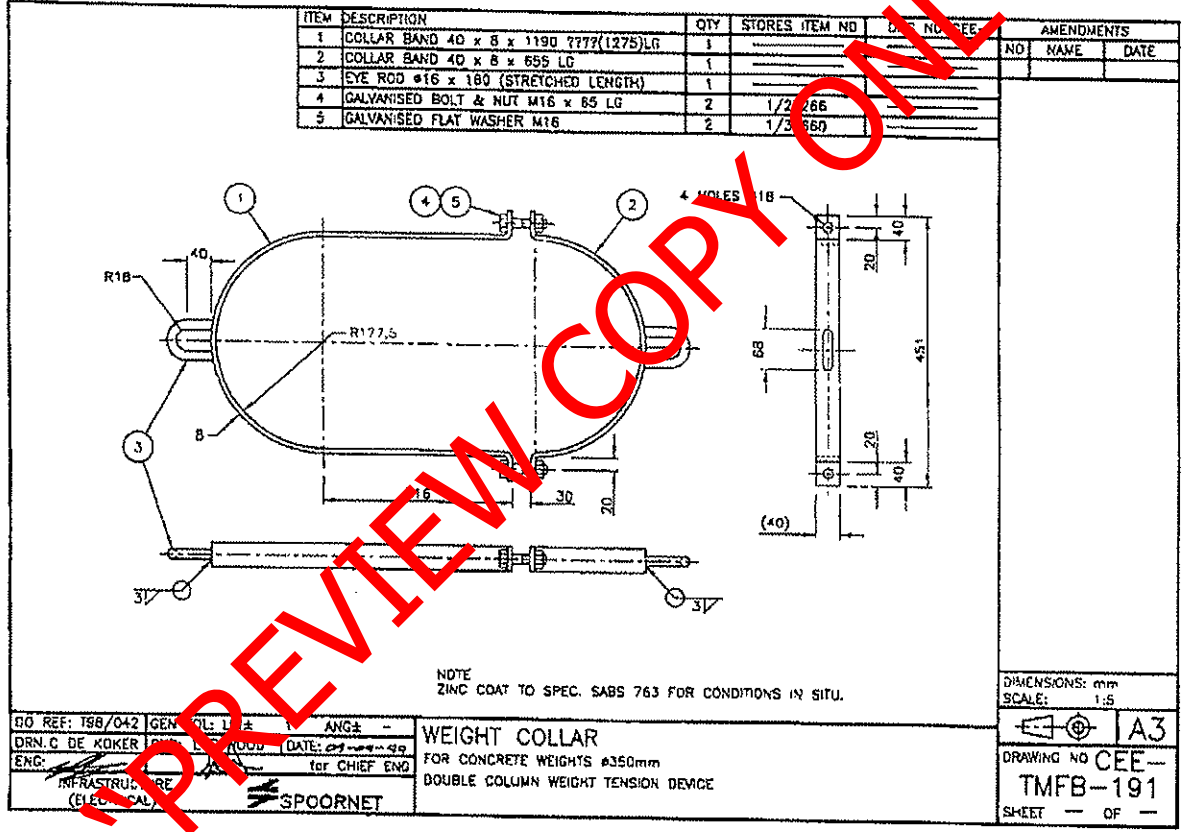
DIMENSIONS: mm
SCALE: 1:2

A3

DRAWING NUMBER

BBB0305

VERSION 1



PREVIEW COPY ONLY

Δ 2

Δ 3

Δ

Δ 4

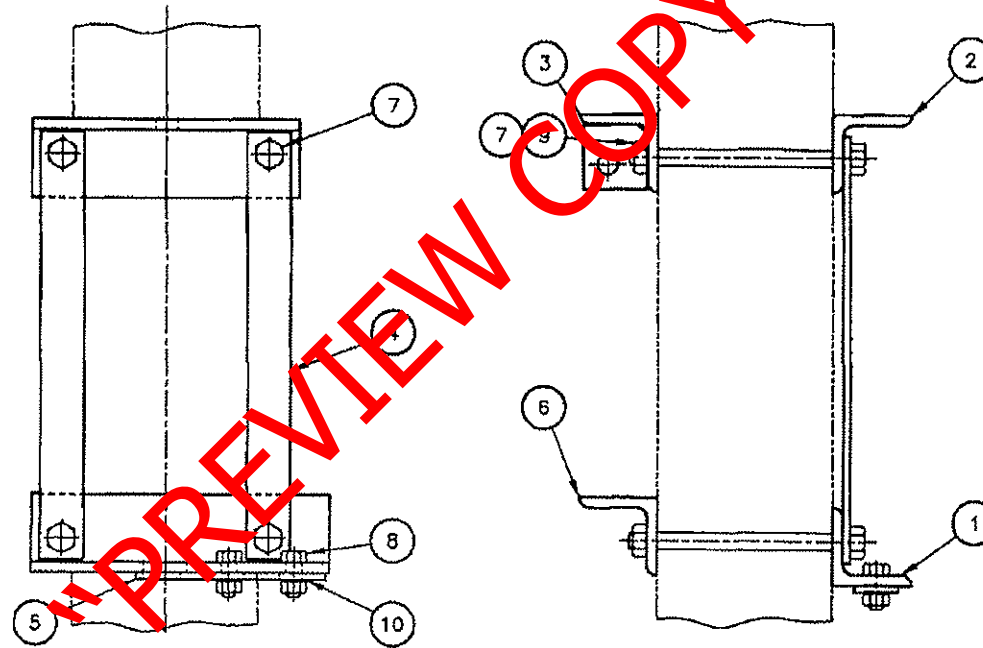
Δ

Δ

Δ 3

Δ 2

ITEM	DESCRIPTION	QTY	STORES ITEM NO	DRG NO	VERSION		
					NO	NAME	DATE
1	ANGLE, BRACKET	1		BB0442 ITEM 1 ✓			
2	ANGLE, BRACKET	1		BB0442 ITEM 2 ✓	2		
3	STAY WIRE ATTACHMENT	1		BB1135			
4	FISH PLATE	2		CEE-TMFB-177 ITEM 1			
5	ADJUSTING PLATE	1		CEE-TMFB-177 ITEM 2			
6	CLAMPING BRACKET	1		BBB1136			
7	BOLT AND NUT, STEEL, HEX, HD GALV, M20 x 255 LG	4					
8	BOLT AND NUT, STEEL, HEX, HD GALV, M16 x 40 LG	2					
9	WASHER, STEEL, ROUND, GALV, M20	4					
10	WASHER, STEEL, ROUND, GALV, M16	2					



DO REF: CDO/275	GEN TOL: LIN±	ANG±
DRN: C L BUCKLE	CKD: J v DYK	DATE: 99-12-10
ENG: W F MANS	H A SLJER	for CHIEF ENG
CENTRAL DRAWING OFFICE INFRASTRUCTURE (ELECTRICAL)		

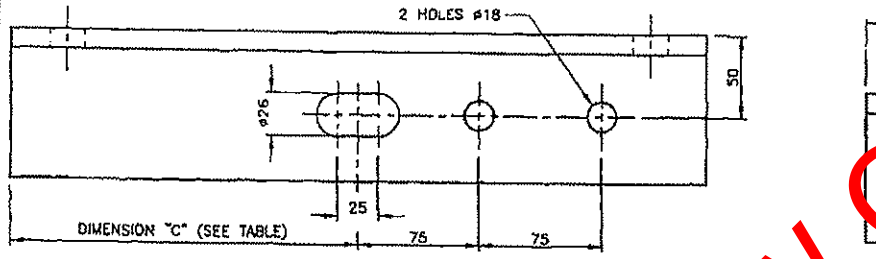
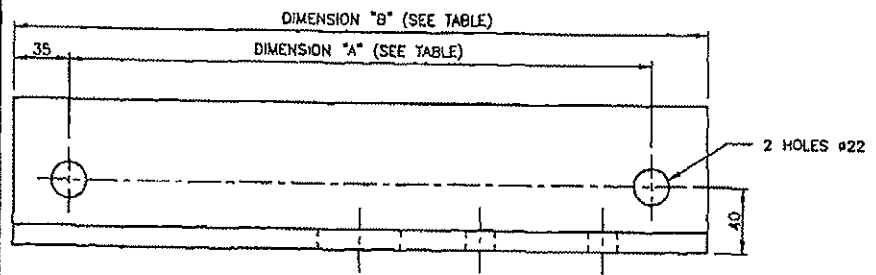


BRACKET ASSEMBLY, MOUNTING OF
WEIGHT TENSIONING DEVICE
CONCRETE MAST

DIMENSIONS: -
SCALE: NTS
A3
DRAWING NO BBB0444
VERSION 2

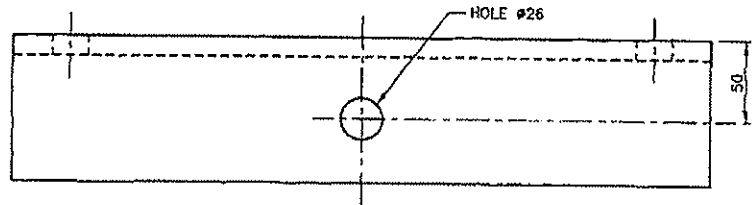
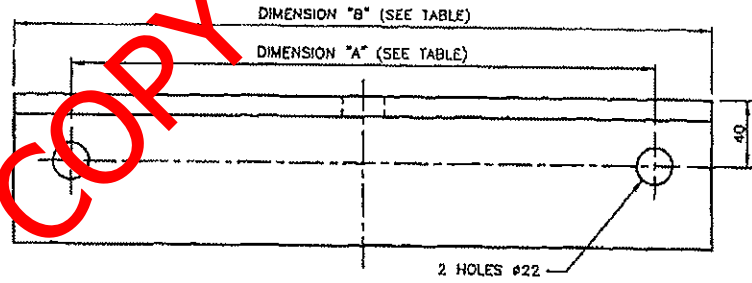
ITEM	DESCRIPTION	QTY	STORES ITEM NO	DRG NO	VERSION		
1	STEEL, ANGLE, 90 x 90 x 12 THK	1			NO	NAME	DATE
2	STEEL, ANGLE, 90 x 90 x 12 THK	1			2		

DIMENSIONS ALTERED AND TABLE ADDED.
DO REF: C00/839



ITEM 1

TABLE			
APPLICATION	DIMENSION "A"	DIMENSION "B"	DIMENSION "C"
CANTILEVER STRUCTURE	280	350	175
DOUBLE BOOM STRUCTURE	320	390	195



ITEM 2

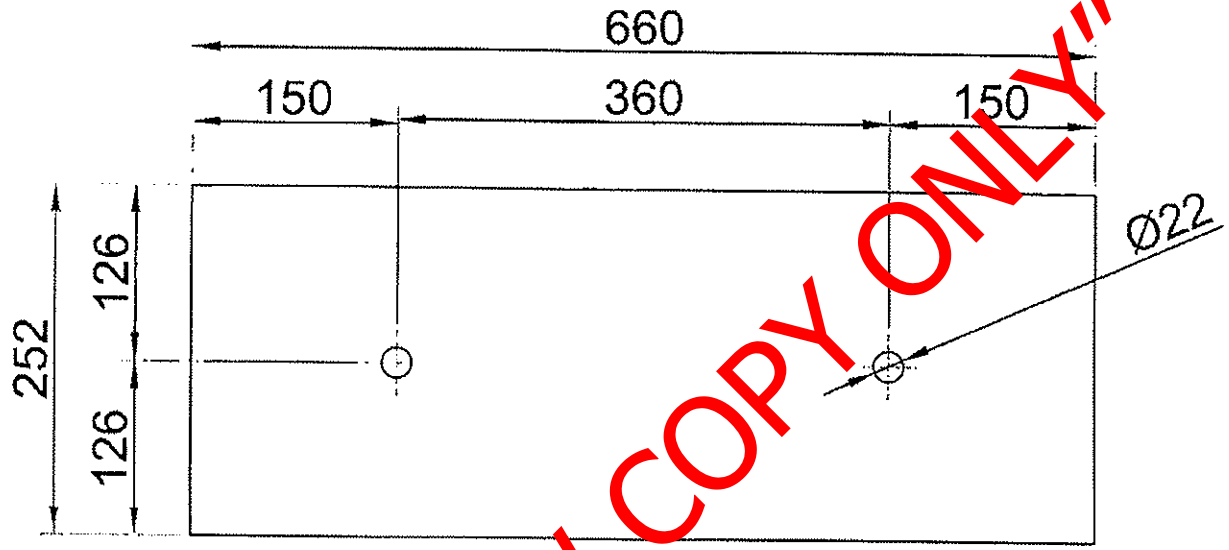
FINISH
ITEM 1 & 2: ZINC COAT TO SPEC. SABS 763 FOR CONDITIONS IN SITU.

"PREVIEW COPY ONLY"

DO REF: C00/275	GEN TOL: LINE 1	ANG: ±	-
DRN: C L BUCKLE	CKD: J v DYK	DATE: 99-12-10	
ENG: W F MANS	H A SLIER	for CHIEF ENG	
CENTRAL DRAWING OFFICE INFRASTRUCTURE (ELECTRICAL)		SPOORNET	

COMPONENTS, MOUNTING OF WEIGHT
TENSIONING DEVICE FOR CONCRETE MAST
25KV AC


DIMENSIONS: mm	
SCALE: NTS	
A2	
DRAWING NO	BBB0442
VERSION 2	



MATERIAL
 660mm x 252mm x 12mm THICK
 FLAT STEEL

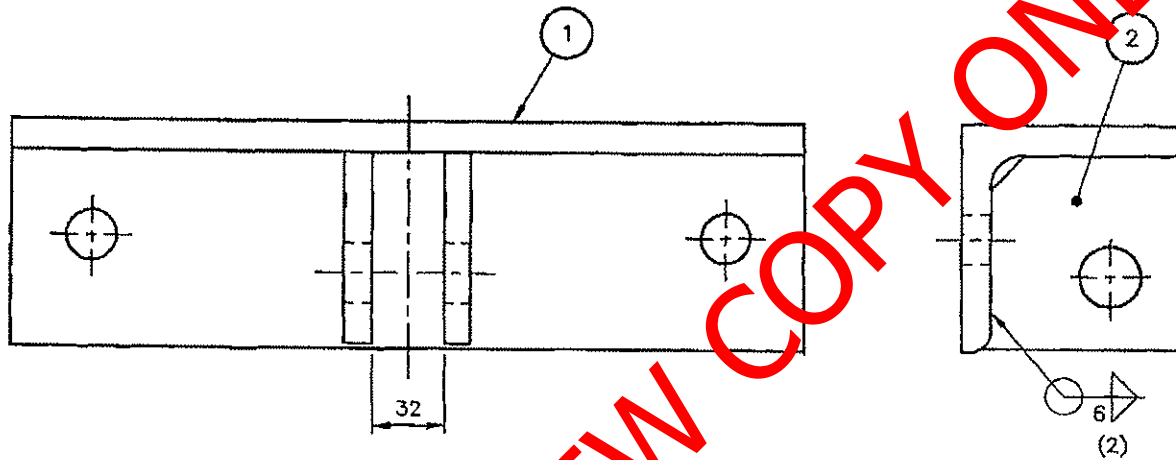
"PREVIEW COPY ONLY!"

NO	REVISIONS	DATE	CHECKED	APPROVED

	
PROJECT TITLE HOTAZEL MANGANESE YARD REMODELLING	DRAWING TITLE BOTTOM PLATE WEIGHT TENSIONING DEVICE

DATE 30/11/2011	SCALE 1:5	PAPER SIZE A4
DRAWN BY <i>EF Low</i>	APPROVAL	
	DATE	SIGNATURE
DRAWING No. 1423337 ELEC 001		REVISION 0

ITEM	DESCRIPTION	QTY	STORES ITEM NO	DRG NO	VERSION		
1	ANGLE	1	_____	BBB1136	NO	NAME	DATE
2	GUSSET PLATE	2	_____	CEE-TMHF-16			



"PREVIEW COPY ONLY"

FINISH
ZINC COAT TO SPEC. SABS 763 FOR CONDITIONS IN SITU.

DIMENSIONS: mm
SCALE: NTS

A3

DRAWING NO
BBB1135
VERSION 1

DO REF: CDO/639	GEN TOL: LIN± 1 ANG± -
DRN: C L BUCKLE	CKD: J J van DYK DATE: 20/05/2000
ENG:	for CHIEF ENG
CENTRAL DRAWING OFFICE INFRASTRUCTURE (ELECTRICAL)	

STAY WIRE ATTACHMENT
WEIGHT TENSIONING DEVICE
CONCRETE MAST

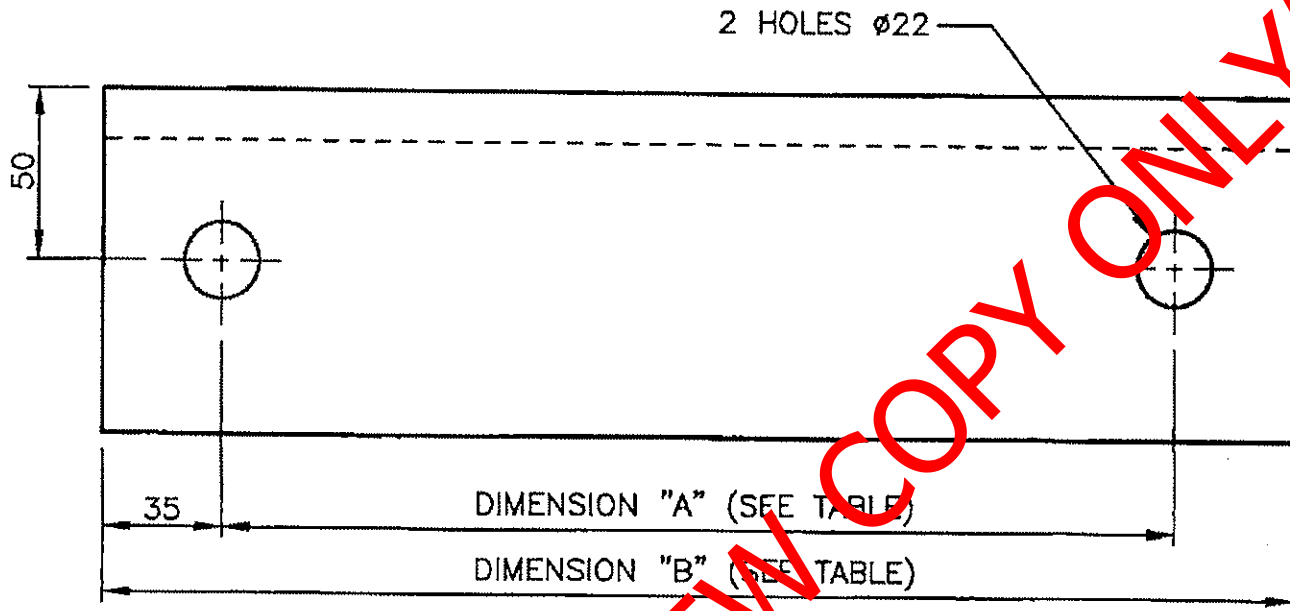


TABLE		
APPLICATION	DIMENSION "A"	DIMENSION "B"
CANTILEVER STRUCTURE	280	350
DOUBLE BOOM STRUCTURE	320	390

VERSION		
NO	NAME	DATE

DIMENSIONS: mm
SCALE: 1:2



DRAWING NO
BBB1136
VERSION 1

MATERIAL: STEEL, ANGLE, 100 x 100 x 15 x "B"
 D REF: CDO/639 GEN TOL: LIN± 1 ANG± -
 DRN: C L BUCKLE CKD: V van DYK DATE: 30/05/2000
 ENG: [Signature] for CHIEF ENG
 CENTRAL DRAWING OFFICE
 INFRASTRUCTURE (ELECTRICAL) **SPOORNET**

BRACKET, STAY WIRE ATTACHMENT
WEIGHT TENSIONING DEVICE
 CONCRETE MAST

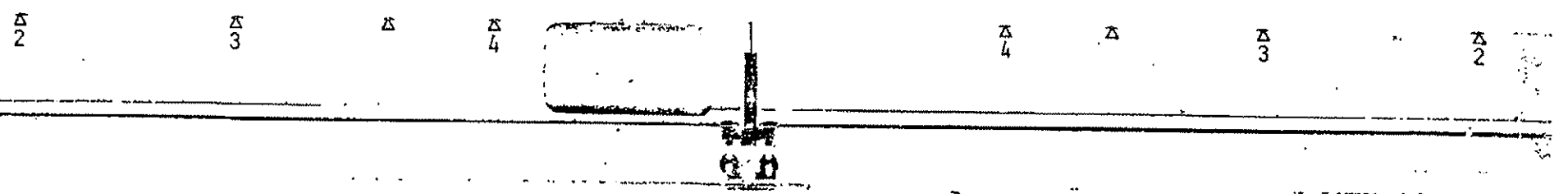
"PREVIEW COPY ONLY"

ITEM	DESCRIPTION	QTY	STORES ITEM NO	ORG	CEE	AMENDMENTS		
1	STEEL PLATE, 490 x 50 x 8	1				NO	NAME	DATE
2	STEEL PLATE, 220 x 80 x 8	1				1	JVT	97-09-05
3	STEEL PLATE, 170 x 80 x 16 ((11/12611))	1				REVISED, DRAWING NO WAS TMFB-166, DO REF: T36/021		

FINISH
ITEM 1 & 2: ZINC COAT TO SPEC. SABS 763 FOR CONDITIONS IN SITU.

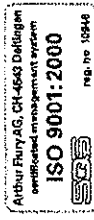
DO REF: 12/82/1276	SCALE: 1:2	A3
DRN: JD v.d. HEER	DATE: 83-04-15	
ENG: G. WILLIAMS	for CHIEF ENG	DRAWING NO CEE-
INFRASTRUCTURE (ELECTRIC)	SPORNET	TMFB-177
COMPONENTS, MOUNTING OF WEIGHT TENSIONING DEVICE.		SHEET — OF —
25KV AC OR 3KV DC.		

PREVIEW COPY ONLY





ARTHUR FLURY AG, CH-4543 Deitingen/Switzerland
Téléfon +41 (0)32 6133366 Internet www.af.flury.ch
Telefax +41 (0)32 6133368 E-Mail info@af.flury.ch



To whom it may concern

CH-4543 Deitingen 032 613 33 66 / fg

We, Arthur Flury AG, Switzerland, hereby confirm to have newly appointed the company


Tracton Enterprise
Electrical Infrastructure Specialists
16 Premier Avenue
Princess, Roodspoon 1725
2030 Wilropark 1731

as our agent for the country of South Africa. Tracton Enterprise will handle all technical and commercial matters with regard to our full product range.

Yours sincerely,

ARTHUR FLURY AG

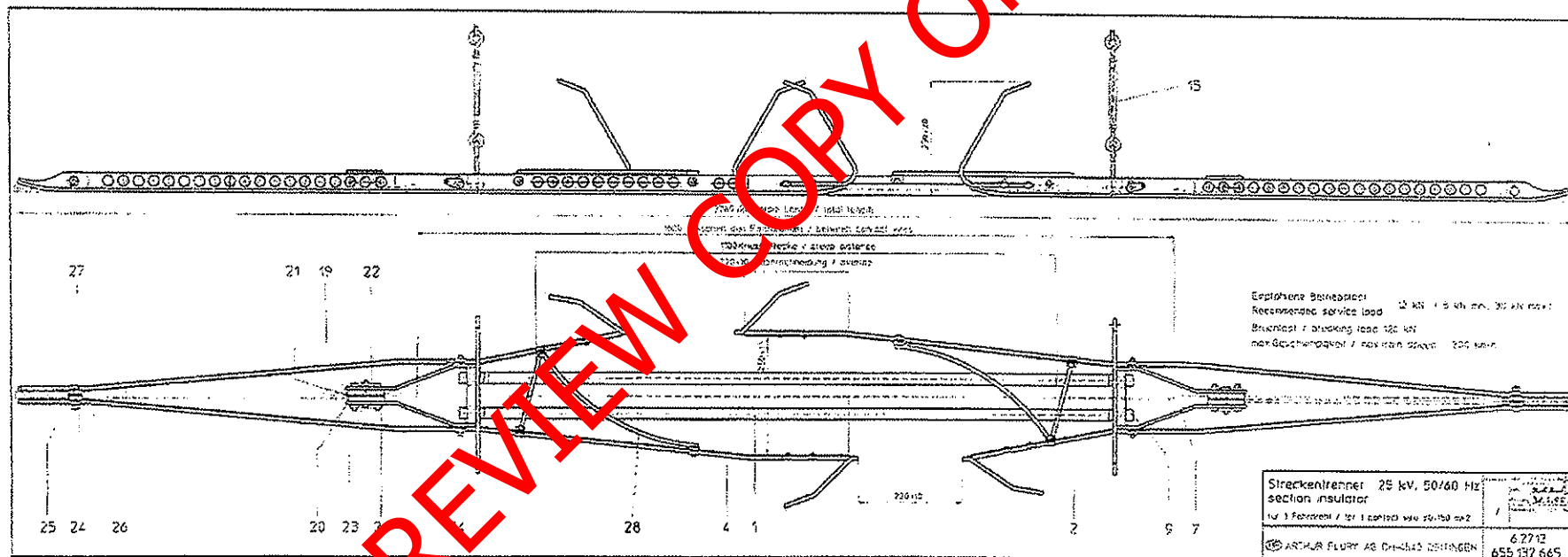

Adrian Flury
CEO / President


Kurt Kummer
Executive Sales Manager

PREVIEW COPY ONLY

30 OFF

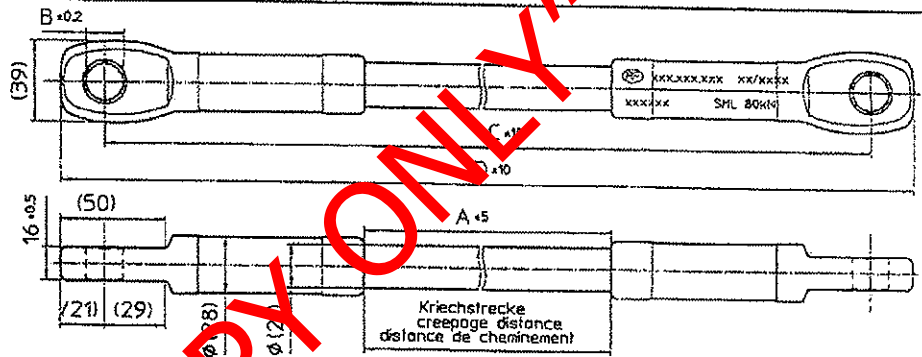
2



Empfohlene Betriebslast
 Recommended service load 12 kN / 3 kN m, 30 kN max.
 Bruchlast / breaking load 120 kN
 max Geschwindigkeit / max train speed 200 km/h

Streckenrenner 25 kv, 50/60 Hz section insulator	
für 3 Felder / for 3 sections max 150 m x 2	
ARMA FLURY AG D-4143 NEMINGEN	62712 655 137 665 c

Artikel Nummer Number No d'article	A	B	C	D
657.026.000	300	17	550	592
657.027.000	600	17	850	892
657.022.000	700	17	950	992
657.020.715	800	17	1050	1092
657.014.716	1100	17	1350	1392
657.038.000	1400	17	1650	1692
657.012.725	1500	17	1750	1792
657.013.728	2000	17	2250	2292
657.008.724	2500	17	2750	2792
657.015.715	800	20,25	1050	1092
657.034.000	860	20,25	1110	1152
657.011.716	1100	20,25	1350	1392
657.010.725	1500	20,25	1750	1792
657.016.728	2000	20,25	2250	2292
657.007.724	2500	20,25	2750	2792
657.029.000	300	21,5	550	592
657.035.000	400	21,5	650	692
657.027.010	600	21,5	850	892
657.021.716	1100	21,5	1350	1392
657.032.000	1150	21,5	1400	1442
657.009.725	1500	21,5	1750	1792
657.017.728	2000	21,5	2250	2292
657.019.724	2500	21,5	2750	2792
657.025.728	2000	19	2250	2292
657.023.724	2500	19	2750	2792



Material : porcelaine 14435 . GFK - Stab mit PTFE Mantel
 Material : stainless steel 14435 . fiberglass rod PTFE coated

Kriechstrecke A creepage distance A distance de cheminement A	300	600	700	800	1100	1500	2000	2500	mm
Nennstehwechselfspannung trocken dry power-frequency withstand voltage tension de contournement a sec	70	140	140	185	275	360	395	460	kV (RMS) 50 Hz
Nennstehwechselfspannung unter Regen wet power-frequency withstand voltage tension de contournement sous pluie	38	70	70	95	140	185	230	395	kV (RMS) 50 Hz
Überschlagsspannung trocken power-frequency flashover voltage dry tension de décharge sèche	≥ 115	235	270	310	425	570	775	960	kV/50Hz
Stehblitzstossspannung lightning impulse withstand voltage résistance à la tension de décharge fulgurante	75	145	145	250	325	450	550	950	kV 1.2/50 µs
Bruchlast auf Zug breaking load of tensile charge de rupture a la traction	≥ 80	80	80	80	80	80	80	80	kN
maximale Betriebslast auf Zug maximal working tensile load FDS = 3.3 traction maximal en service	24.3	24.3	24.3	24.3	24.3	24.3	24.3	24.3	kN
nomielle Dauertast auf Zug nominal working tensile load traction nominelle	15	15	15	15	15	15	15	15	kN
Bruchlast auf Biegung charge de rupture a la flexion breaking load of bending	250	250	250	250	250	250	250	250	Nm
Gewicht, weight, poids	1.2	1.4	1.5	1.6	1.8	2.1	2.5	2.9	kg

Tragsisolatoren mit Oese
 Catenary insulators
 Isolateurs pour caténaire

Maßstab Scale Echelle: 1:2

Gez. PW 27.197
 Gepr. 02.11.11
 Freigegeben 2.11.11

ARTHUR FLURY AG CH-4543 DEITINGEN

6.3111-ext