



Transnet SOC Limited
T/A Transnet Capital Projects

REQUEST FOR QUOTATION

TFR RME RFQ BOARD
TRANSNET FREIGHT RAIL
CNR JETPARK AND NORTHREEF ROAD
ELANDSFONTEIN

Registration Number: 1990/000900/06
Vat Number : 4720103177

Attention:
Telephone Number :
Fax Number :
Vendor Number :500000

Quotation Deadline Date : 09.04.2013
Quotation Deadline Time : 12H00

REQUEST for QUOTATION
Transnet Capital Projects
RFQ Number / Date
6000155078 / 27.03.2013
Contact Person / Telephone
Nonhlanhla Mafoko / 011 878 7178
Return to VAX Number/EMAIL
0115800006 / TCPtendersElandsfontein@Transnet.net

Item	Material	Description	RFQ Qty	UoM	Required Del date	Confirm Del date	Unit Price Excl	Total Price Excl
00010		Catenary protection lin	152	ea	11.04.2013			
Catenary protection liner TN-105								
00020		Dead end preform strain	384	ea	25.04.2013			
Dead end preform strain 19/4 GI-guy grip								
00030		Tower hook TNB-41 (TN-3	78	ea	10.04.2013			
Tower hook TNB-41 (TN-361)								



Transnet SOC Limited
 T/A Transnet Capital Projects
 TFR RME RFQ BOARD
 TRANSNET FREIGHT RAIL
 CNR JETPARK AND NORTHREEF ROAD
 ELANDSFONTEIN
 1406

REQUEST FOR QUOTATION

Registration Number: 1990/000900/06
 Vat Number : 4720103177

Attention:

Telephone Number :
 Fax Number :
 Vendor Number :500000

Quotation Deadline Date : 09.04.2013
Quotation Deadline Time : 12H00

REQUEST for QUOTATION

Transnet Capital Projects

RFQ Number / Date

6000155078 / 27.03.2013

Contact Person / Telephone

Nonhlanhla Mafoko / 011 878 7178

Return to VAX Number/EMAIL

0115800006 / TCPtendersElandsfontein@Transnet.net

Delivery Address

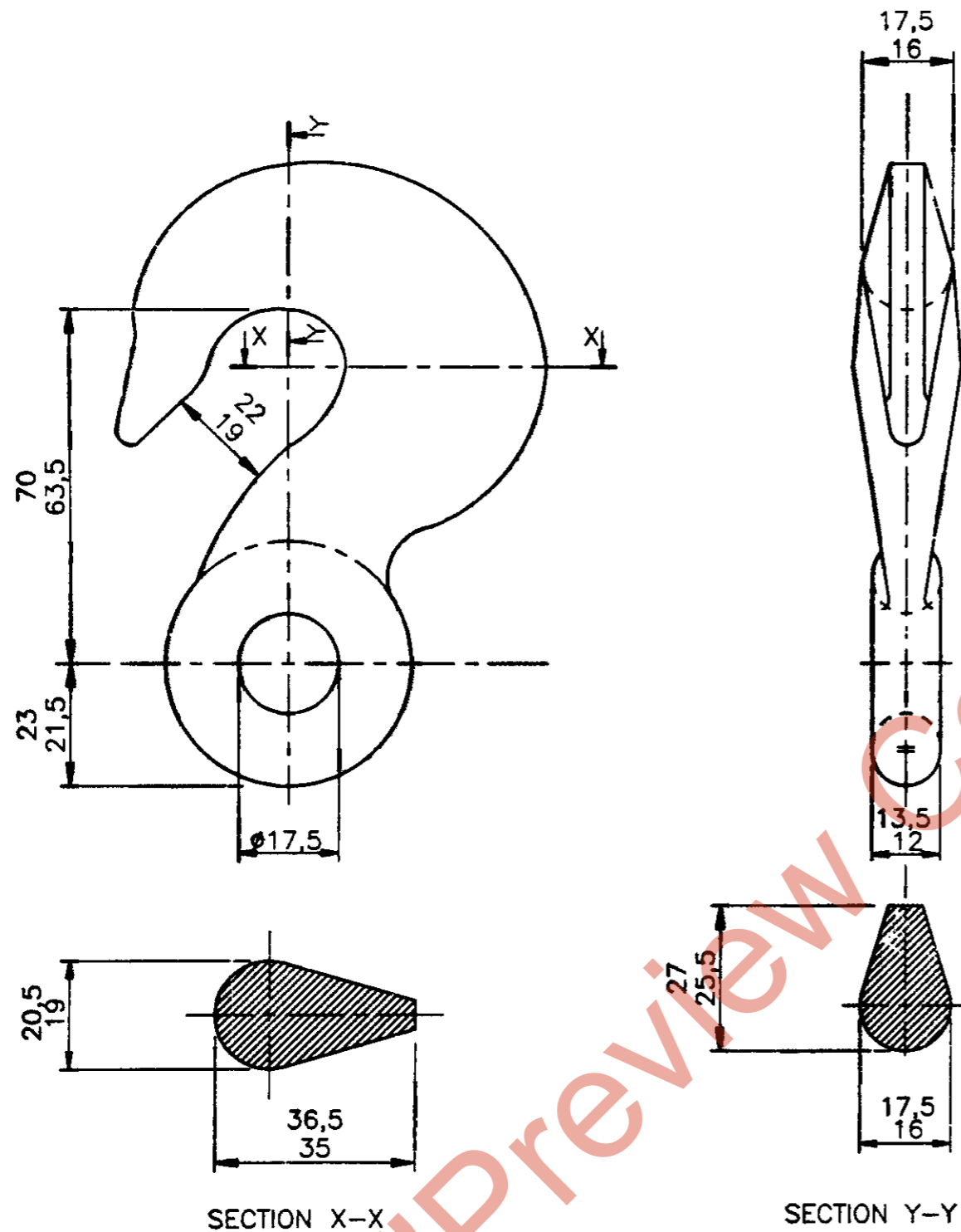
Transnet Capital Projects
 Cnr Jetpark and Northreef Roads
 Elandsfontein
 1406

This RFQ is subject to the following conditions:

1. Price/s : The price/s quoted in SA currency and is excluding of V.A.T
2. Delivery : The price/s quoted should include delivery cost to the delivery address stated on the RFQ
3. Returnables : A valid tax clearance certificate and BBBEE certificate from a SANAS accredited verification agency attached to quotation for all quotes above R30 000.
Please note that only the official Transnet RFQ will be accepted and all other correspondence to be attached to the original
4. Safety : To confirm to Transnet Capital Projects Health & Safety plan and specification; HAS-std-0001, copy available on request.
5. Confirmation: To confirm your participation in this tender process please sign and return this document as immediate effect prior to the quotation deadline.
6. Negotiations: The Employer may elect to negotiate the final terms of the contract/order with the preferred tenderer in accordance with Clauses F.2.17 and F.3.13 of the CIDB Standard Conditions of Tender. A copy of which is available upon request.

 Signature

 Date



- NOTES
- MECHANICAL STRENGTH 44.5kN.
 - THE FOLLOWING PERMANENT MARKINGS MUST APPEAR ON THIS ARTICLE:
 - SPOORNET
 - MAKER'S IDENTIFICATION
 - BATCH NUMBER.
 - ZINC COAT TO SPEC SABS 763 FOR CONDITIONS IN SITU.

AMENDMENTS		
NO	NAME	DATE
1	JVT	95-09-11

REVISED, DRG NO WAS CEE-TN-361.
DO REF: T95/051

STORES ITEM NO _____

DIMENSION: mm
SCALE: 1:1

A3

DRAWING NO CEE-TNB-41

SHEET - OF -

MATERIAL: ITEM NO _____ SPHEROIDAL GRAPHITE IRON TO SPEC SABS 936 GRADE SG 50

DO REF: J71/228 GEN TOL: LIN± 0.5 ANG± 1°

DRN: C. S. CKD: _____ DATE: 62-06-13

ENG: _____ W PHILLIPS for CHIEF ENG

TOWER HOOK

INFRASTRUCTURE
(ELECTRICAL)



T0000971