

Transnet SOC Limited
Transnet RME

REQUEST FOR QUOTATION

BOARD LIST TFR RME
TRANSNET FREIGHT RAIL - RME
PROCUREMENT DEPARTMENT
2000

Registration Number: 1990/000900/06
Vat Number : 4720103177

Attention:

TFR Official Tender Board.
Telephone Number :
Fax Number :
Vendor Number :2004815

Quotation Deadline Date : 05.09.2014
Quotation Deadline Time : 12:00

REQUEST for QUOTATION

Transnet RME

RFQ Number / Date

6000206480 / 28.08.2014

Contact Person / Telephone

Eddie Quinn / 035 905 3664

Return to VAX Number/EMAIL

0865159978 / TCPtendersRichardsBay@Transnet.net

| Item | Material | Description | RFQ Qty | UoM | Required Del date | Confirm Del date | Unit Price Excl | Total Price Excl |
|-------|----------|-------------------------|---------|-----|-------------------|------------------|-----------------|------------------|
| 00010 | | M12 U-Bolt Stainless St | 800 | ea | 18.09.2014 | | | |

Supply & Deliver, 800 x M12 U-Bolts, Complete with Nuts and Washers, Stainless Steel-304, as per the attached Drawing No:CEE-TX-23.
Deliver to: 1 Morris Road, Empangeni Rail, OHTE Store.
Contact: Mr Pierre Crocker Tel: 083 279 0437 / 035-905 3638

=====
Transnet Limited t/a Transnet Freight Rail (R.M.E.) # Richards Bay, hereby invite your company to submit a detailed quotation for:

The Supply & Deliver, 800 x M12 U-Bolts, Complete with Nuts and Washers, Stainless Steel-304, as requested above.

All technical queries relating to this invitation may be addressed to;
Mr. Pierre Crocker Tel: 083 279 0437 / 035-905 3638.

All tender related queries pertaining to this invitation may be addressed to;
Mr. Eddie Quinn, Tel: 035 # 905 3664.

The closing time for receipt of your official quotations is 12:00 hours on Friday, 05 September 2014.

Transnet SOC Limited
Transnet RME
 BOARD LIST TFR RME
 TRANSNET FREIGHT RAIL - RME
 PROCUREMENT DEPARTMENT
 2000
 YOUR VAT NUMBER WITH US: NOT

REQUEST FOR QUOTATION

Registration Number: 1990/000900/06
Vat Number : 4720103177

Attention:

TFR Official Tender Board.
 Telephone Number :
 Fax Number :
 Vendor Number :2004815

Quotation Deadline Date : 05.09.2014
Quotation Deadline Time : 12:00

REQUEST for QUOTATION

Transnet RME
RFQ Number / Date
 6000206480 / 28.08.2014
Contact Person / Telephone
 Eddie Quinn / 035 905 3664
Return to VAX Number/EMAIL
 0865159978 / TCPtendersRichardsBay@Transnet.net

| Item | Material | Description | RFQ Qty | UoM | Required Del date | Confirm Del date | Unit Price Excl | Total Price Excl |
|------|----------|-------------|---------|-----|-------------------|------------------|-----------------|------------------|
|------|----------|-------------|---------|-----|-------------------|------------------|-----------------|------------------|

Transnet desires a validity period of 90 (Ninety) days from the closing date of this RFQ.

Telephonic and late quotes will not be accepted.

All quotations should be clearly marked, and may be forwarded to:

Me Yogeshnie Gengan, Tender & Fax Assistant,

Fax No: 086 515 9978 and / or

e-mailed to: TCPtendersRichardsBay@transnet.net

The contractor's address and identification details have to be shown on each quotation submitted.

Please submit the following documents with your quotation;

- Valid Tax Clearance certificate.
- Copy of your latest B.B.B.E.E. Certificate.

Failing to submit any of the documents mentioned above, could result in your quotation to be disqualified / not accepted.

Note: #Transnet may not necessarily accept the lowest or any other offer and reserves the right to select in its favor any or, a portion of any offer made"

If you have been contacted directly by the Supply Chain Office (Via a RFQ.), and you are unable to quote for these items, please submit a NO QUOTE.

Otherwise we look forward to receive your detailed quote by the date and time stated.

Yours faithfully,

Transnet SOC Limited
Transnet RME
 BOARD LIST TFR RME
 TRANSNET FREIGHT RAIL - RME
 PROCUREMENT DEPARTMENT
 2000
 YOUR VAT NUMBER WITH US: NOT

REQUEST FOR QUOTATION

Registration Number: 1990/000900/06
Vat Number : 4720103177

Attention:

TFR Official Tender Board.
 Telephone Number :
 Fax Number :
 Vendor Number :2004815

Quotation Deadline Date : 05.09.2014
Quotation Deadline Time : 12:00

REQUEST for QUOTATION

Transnet RME

RFQ Number / Date

6000206480 / 28.08.2014

Contact Person / Telephone

Eddie Quinn / 035 905 3664

Return to VAX Number/EMAIL

0865159978 / TCPtendersRichardsBay@Transnet.net

| Item | Material | Description | RFQ Qty | UoM | Required Del date | Confirm Del date | Unit Price Excl | Total Price Excl |
|------|----------|-------------|---------|-----|-------------------|------------------|-----------------|------------------|
|------|----------|-------------|---------|-----|-------------------|------------------|-----------------|------------------|

Delivery Address

TFR RME Richards Bay
 Old Naval Base, Commodores Clo
 Meerensee, Richards Bay
 3900

This RFQ is subject to the following conditions:

1. Price/s : The price/s quoted in SA currency and is excluding of V.A.T
2. Delivery : The price/s quoted should include delivery cost to the delivery address stated on the RFQ
3. Returnables : A valid tax clearance certificate and BBBEE certificate from a SANAS accredited verification agency attached to quotation for all quotes above R30 000.
Please note that only the official Transnet RFQ will be accepted and all other correspondence to be attached to the original
4. Safety : To confirm to Transnet Capital Projects Health & Safety plan and specification; HAS-std-0001, copy available on request.
5. Confirmation: To confirm your participation in this tender process please sign and return this document as immediate effect prior to the quotation deadline.
6. Negotiations: The Employer may elect to negotiate the final terms of the contract/order with the preferred tenderer in accordance with Clauses F.2.17 and F.3.13 of the CIDB Standard Conditions of Tender. A copy of which is available upon request.

 Signature

 Date

| ITEM | DESCRIPTION ~ BESKRYWING | QTY HVLD | STORES MAGASYN NO. | AMENDMENTS WYSIGINGS | |
|------|--|----------|--------------------|----------------------|------------|
| | | | | NO. | NAME NAAM |
| 1. | STEEL, ROUND $\phi 12 \times 225$ L TO SPEC CME 9 SYM 7 STAAL, ROND $\phi 12 \times 225$ L VOLG. SPES CME 9 SIM 7 | 1. | (M)11/2740 | | |
| 2. | NUT, PLAIN, HEX, STEEL, XXXXXX M12 MOER, GEWONE, SESK, STAAL, XXXXXX M12 | 2. | (M)1/32856 | 2. | B. Stewart |
| 3. | WASHER, FLAT, STEEL, ROUND, NORMAL, XXXXXX M12. WASTER, PLAT, STAAL, ROND, NORMAAL, XXXXXX M12. | 2. | (M)1/33659 | | |

REDRAWN IN INK.
OORGETEKEN IN INK.
D.O. REF. T1/81/74
TK.-VERW.

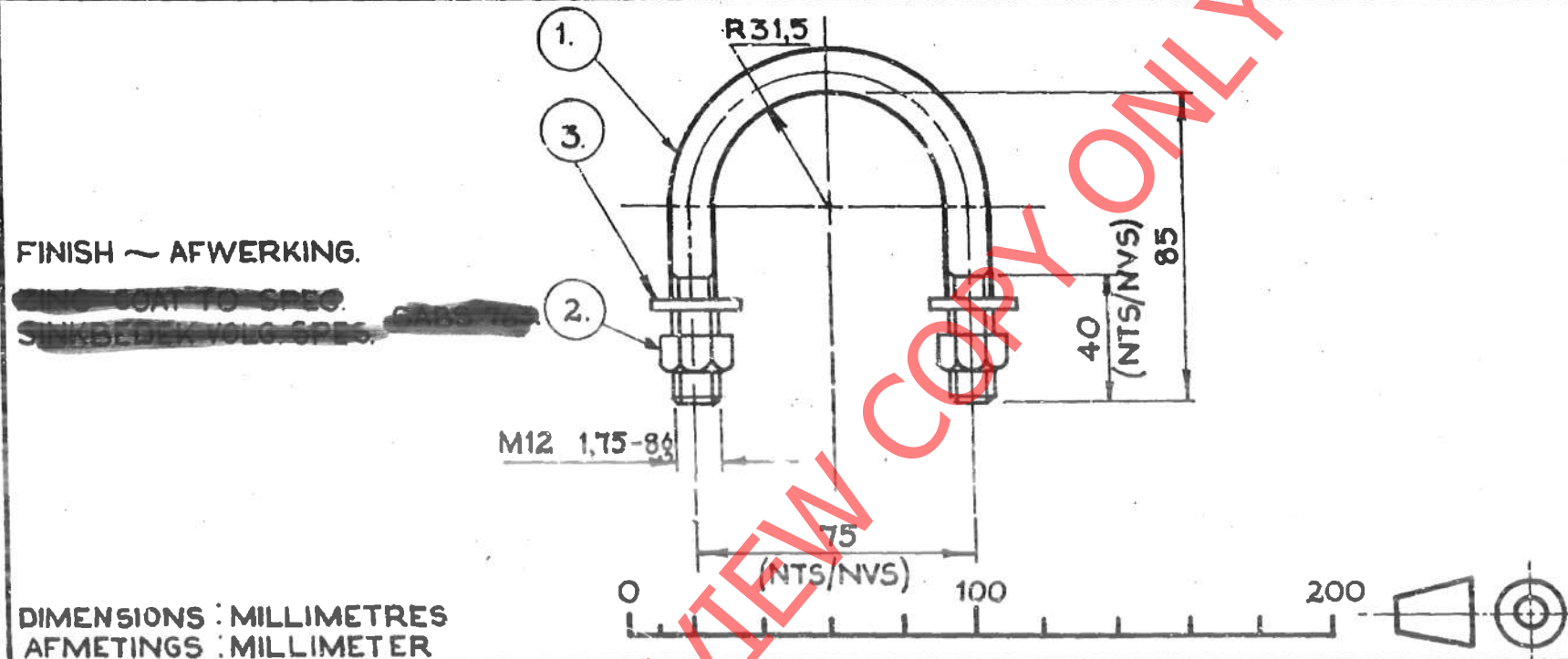
3. J. SWIEGERS 83-03-10

ASSY. DRG. NO. ADDED
SAMEST. TEK.-NO.
BYGSEVOEG.
D.O. REF. T2/82/129
TK.-VERW.

CEE-TMG-103
CEE-TMG-99 & 100
CEE-TMG-101 & 102
CEE-TMG-108 & 109
CEE-TMG-110 & 111
CEE-TMG-8A
ASSY. DRG.
SAMEST. - TEK.

DRAWING NO. CEE-
TEKENING

TX-23



| | | |
|--|--|-------------------|
| DRN. B. v. d. WEST. GET. | GEN. TOLERANCES : LIN. $\pm 0,5$ ALG. TOLERANSIES : ANG./HOEK \pm — | |
| TRCD. K. HUGHES NGT. | D.O. REF. _____ TK.-VERW. | ENG. IR. |
| CKD. R.A. MACMILLAN NGS. | DATE 80-02-13 DATUM: | G.A. WILLIAMS 200 |
| CHIEF ELECTRICAL ENGINEER ELEKTRIESE HOOFINGENIEUR JOHANNESBURG | | |
| SOUTH AFRICAN TRANSPORT SERVICES SUID-AFRIKAANSE VERVOERDIENSTE | | |

U - BOLT
M12
U - BOUT