



Transnet SOC Limited  
Transnet RME

REQUEST FOR QUOTATION

BOARD LIST TFR RME  
TRANSNET FREIGHT RAIL - RME  
PROCUREMENT DEPARTMENT  
2000

Registration Number: 1990/000900/06  
Vat Number : 4720103177

Attention:

Telephone Number :  
Fax Number :  
Vendor Number :2004815

Quotation Deadline Date : 15.07.2014  
Quotation Deadline Time : 16H00

REQUEST for QUOTATION

Transnet RME

RFQ Number / Date

6000201792 / 08.07.2014

Contact Person / Telephone

Anne Mongie / 031 361 1759

Return to VAX Number/EMAIL

0318300001 / TCPtendersDurban@Transnet.net

Item	Material	Description	RFQ Qty	UoM	Required Del date	Confirm Del date	Unit Price Excl	Total Price Excl
00010		BRACKET,CLAMP NEGATIVE	10	ea	29.07.2014			
		BRACKET,CLAMP NEGATIVE RETURN CABLE HDG,DRG CEE-TMHF-218						
00020		BLOCK COMPLETE WITH STR	10	ea	29.07.2014			
		BLOCK COMPLETE WITH STRAP AND BOLTS,WASHER HDG ,DRG CEE-TMF-465						
00030		BUSBAR CARRIER BEAM,	2	ea	29.07.2014			
		BUSBAR CARRIER BEAM,DRG CEE-TMC-63 ITEM 1						

"PREVIEW COPY"



**Transnet SOC Limited**  
**Transnet RME**  
 BOARD LIST TFR RME  
 TRANSNET FREIGHT RAIL - RME  
 PROCUREMENT DEPARTMENT  
 2000  
 YOUR VAT NUMBER WITH US: NOT

**REQUEST FOR QUOTATION**

**Registration Number: 1990/000900/06**  
**Vat Number : 4720103177**

**Attention:**  
  
 Telephone Number :  
 Fax Number :  
 Vendor Number :2004815

**Quotation Deadline Date : 15.07.2014**  
**Quotation Deadline Time : 16H00**

**REQUEST for QUOTATION**  
 Transnet RME  
**RFQ Number / Date**  
 6000201792 / 08.07.2014  
**Contact Person / Telephone**  
 Anne Mongie / 031 361 1759  
**Return to VAX Number/EMAIL**  
 0318300001 / TCPtendersDurban@Transnet.net

Item	Material	Description	RFQ Qty	UoM	Required Del date	Confirm Del date	Unit Price Excl	Total Price Excl
00040		SWITCH CARRIER BEAM, SWITCH CARRIER BEAM,DRG CEE-TMC-ITEM 3	4	ea	29.07.2014			
00050		LINDAPTOR PACKING PIECE LINDAPTOR PACKING PIECE M20 TYPE P	50	ea	29.07.2014			

FOR MORE INFORMATION PLEASE CONTACT THOBEKA 0837791651

CLOSING DATE : 15 JULY 2014 AT 16H00.  
 QUOTES MUST BE MAILED TO : TCPtendersDurban@transnet.net OR  
 FAXED TO : 031 361 1783.  
 PLEASE ATTACH COPIES OF BBBEE AND TAX CLEARANCE CERTIFICATES.  
 ALL PROCUREMENT RELATED QUERIES MUST BE ADDRESSED TO :  
 ANNE MONGIE : 031 361 1759.



Transnet SOC Limited  
 Transnet RME  
 BOARD LIST TFR RME  
 TRANSNET FREIGHT RAIL - RME  
 PROCUREMENT DEPARTMENT  
 2000  
 YOUR VAT NUMBER WITH US: NOT

**REQUEST FOR QUOTATION**

Registration Number: 1990/000900/06  
 Vat Number : 4720103177

**Attention:**

Telephone Number :  
 Fax Number :  
 Vendor Number :2004815

**Quotation Deadline Date : 15.07.2014**  
**Quotation Deadline Time : 16H00**

**REQUEST for QUOTATION**

Transnet RME  
**RFQ Number / Date**  
 6000201792 / 08.07.2014  
**Contact Person / Telephone**  
 Anne Mongie / 031 361 1759  
**Return to VAX Number/EMAIL**  
 0318300001 / TCPtendersDurban@Transnet.net

Item	Material	Description	RFQ Qty	UoM	Required Del date	Confirm Del date	Unit Price Excl	Total Price Excl
------	----------	-------------	---------	-----	-------------------	------------------	-----------------	------------------

E-MAIL : anne.mongie@transnet.net

"PREVIEW COPY"



Transnet SOC Limited  
 Transnet RME  
 BOARD LIST TFR RME  
 TRANSNET FREIGHT RAIL - RME  
 PROCUREMENT DEPARTMENT  
 2000  
 YOUR VAT NUMBER WITH US: NOT

## REQUEST FOR QUOTATION

Registration Number: 1990/000900/06  
 Vat Number : 4720103177

**Attention:**

Telephone Number :  
 Fax Number :  
 Vendor Number :2004815

**Quotation Deadline Date : 15.07.2014**  
**Quotation Deadline Time : 16H00**

**REQUEST for QUOTATION**

Transnet RME

**RFQ Number / Date**

6000201792 / 08.07.2014

**Contact Person / Telephone**

Anne Mongie / 031 361 1759

**Return to VAX Number/EMAIL**

0318300001 / TCPtendersDurban@Transnet.net

**Delivery Address**

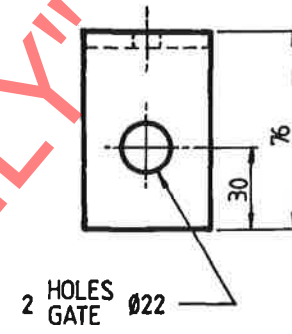
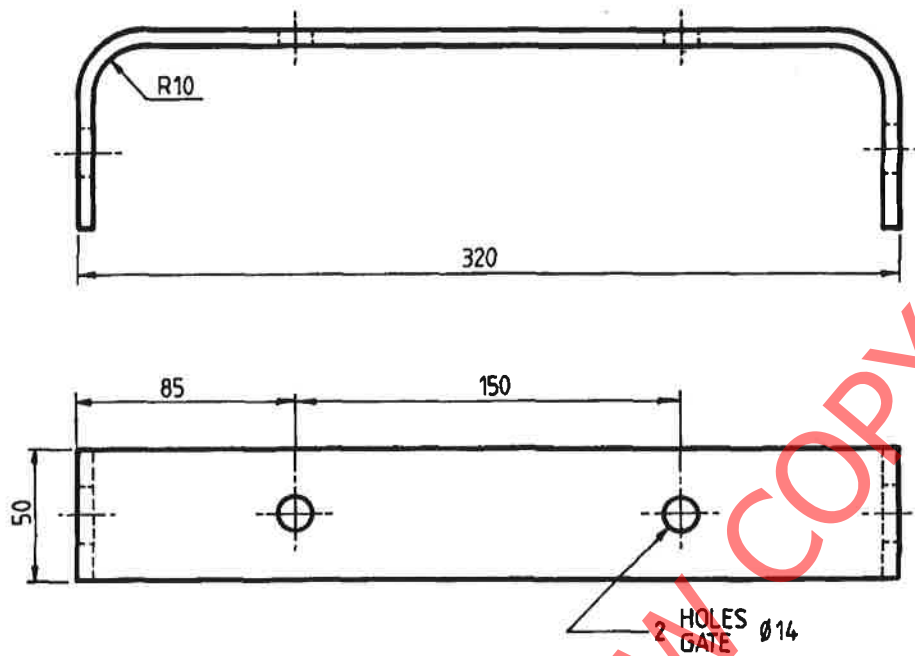
TFR RME Durban  
 100 Eel Road  
 Bayhead, Durban  
 4001

This RFQ is subject to the following conditions:

1. Price/s : The price/s quoted in SA currency and is excluding of V.A.T
2. Delivery : The price/s quoted should include delivery cost to the delivery address stated on the RFQ
3. Returnables : A valid tax clearance certificate and BBBEE certificate from a SANAS accredited verification agency attached to quotation for all quotes above R30 000.  
Please note that only the official Transnet RFQ will be accepted and all other correspondence to be attached to the original
4. Safety : To confirm to Transnet Capital Projects Health & Safety plan and specification; HAS-std-0001, copy available on request.
5. Confirmation: To confirm your participation in this tender process please sign and return this document as immediate effect prior to the quotation deadline.
6. Negotiations: The Employer may elect to negotiate the final terms of the contract/order with the preferred tenderer in accordance with Clauses F.2.17 and F.3.13 of the CIDB Standard Conditions of Tender. A copy of which is available upon request.

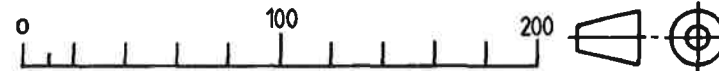
\_\_\_\_\_  
 Signature

\_\_\_\_\_  
 Date



DIMENSIONS: MILLIMETRES.  
AFMETINGS: MILLIMETER.

MATERIAL - MATERIAAL  
STEEL, FLAT 50 x 6 THK x 475L  
STAAL, PLAT DIK x 475L  
SPEC. CME 9 SYM. 8  
SPES. SIM.  
STORES ITEM NO. (M)11/12279  
MAGASYN ITEM NO.



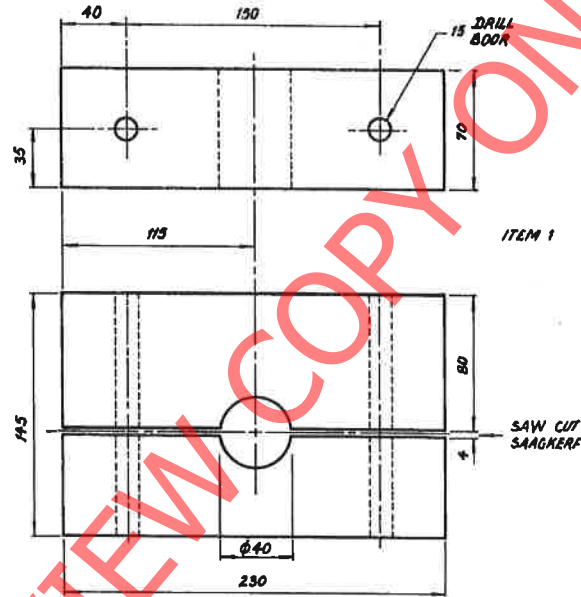
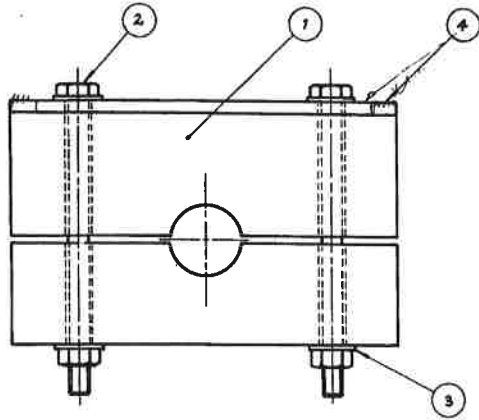
DRN. P.J.M. ELLIS GET.	GEN. TOLERANCES: LIN. ±1 ALG. TOLERANSIES: ANG/HOEK 1°	ELECTRIFICATION TYPES B,F BRACKET CLAMP, NEGATIVE RETURN CABEL	
TRCD. P.J.M. ELLIS NGT.	D.O. REF. T2/84/74 TK-VERW IR	ENG. R. B. IR	ELEKTRIFIKASIE TIPES B,F STEUNSTUK KLAMP, NEGATIEWE TERUGVOERKABEL
CKD. NGS. T. HUMAN	DATE 29/11/85 DATUM	for. R. Mann ns.	
CHIEF ELECTRICAL ENGINEER ELEKTRIESE HOOFINGENIEUR		JOHANNESBURG	
SOUTH AFRICAN TRANSPORT SERVICES SUID-AFRIKAANSE VERVOERDIENSTE			

AMENDMENTS WYSIGINGS		
NO.	NAME NAAM	DATE DATUM

CEE-TMG-163 VEL 1  
CLASS/ASSY DRG  
KLAS/SAMEST. -TEK.  
ELECTRIFICATION TYPES REF  
ORG NO CEE-MA-26 SH 7B  
ELEKTRIFIKASIE TIPES VERW  
TEK. NO CEE-MA-369 VEL 7B  
MODULUS ITEM NO.

PREVIOUS VORIGE  
ITEM NO.  
DRAWING NO. CEE-  
TEKENING TMHF-218  
SHEET OF  
VEL VAN

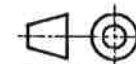
ITEM	DESCRIPTION - BESKRYWING	QTY HWKD.	STORES MAGASYN NO.	DRG. NO. CEE- TEK.	AMENDMENTS WYSIGINGS	
					NO.	NAME NAAM
1	MOUNTING BLOCK (HARDWOOD, IRKO OR SIMILAR) MONTEERBLOK (HARDEHOUT, IRKO OF SOORTGELYK)	1				
2	BOLT & NUT, STEEL, HEX. HD. GALV. BOU & MOER, STAAL, SESK. KOP GEGALV. M12x165	2	(M) 01/43573.			
3	WASHER, FLAT, STEEL, RD. GALV. WASER, FLAT, STAAL, RD. GEGALV. M12	4	(M) 01/33653.			
4	STRAP, CABLE CLAMP. BAND, KABELKLAMP.	1		TMF - 23.		



FINISH:  
ITEM 1: IMMERSE IN CREOSOTE

AFMERKING:  
ITEM 1: DOMPEL IN KRISOOT

DIMENSIONS: MILLIMETRES  
AFMETINGS: MILLIMETER

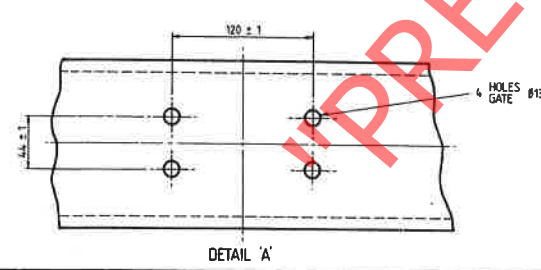
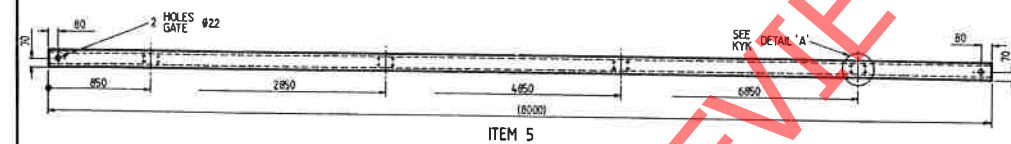
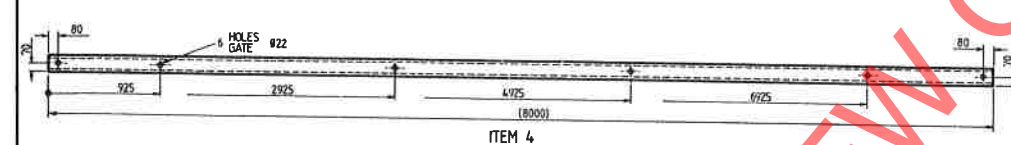
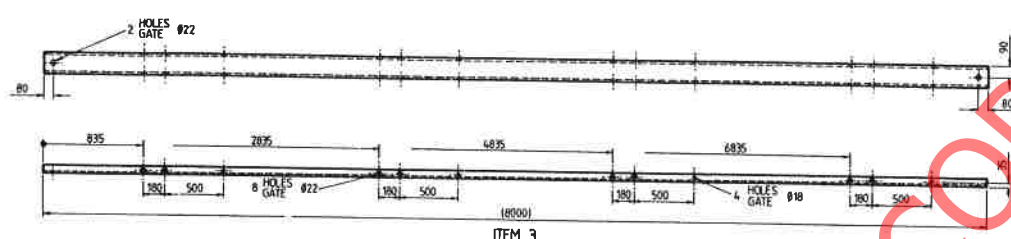
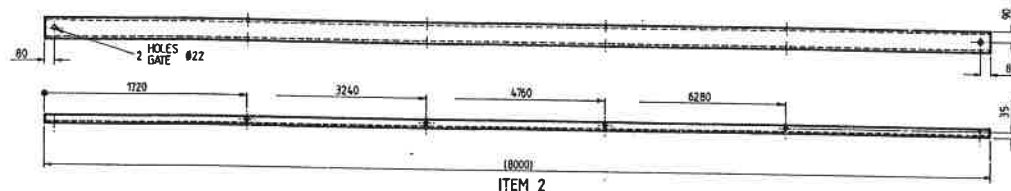
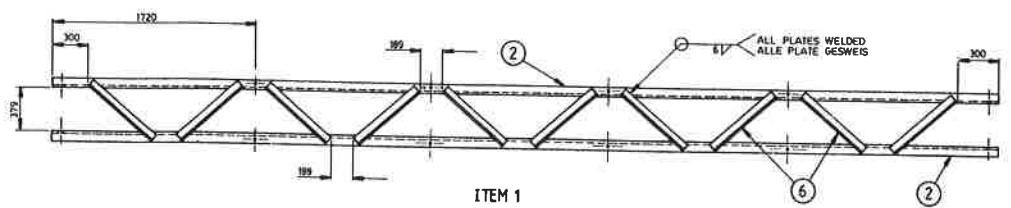


DRN. ID. V.D. HEWER	GEN. TOLERANCES: LIN ± 1
TRCD. ID. V.D. HEWER	ALG. TOLERANSIES: ANG/HOEK
NGT.	DO. REF. 12/83/B
CKD. J. SWIEGERS.	ENG. IR
NGS.	DATE 03/04/21
CHIEF ELECTRICAL ENGINEER	for
ELEKTRESE HOOFINGENIEUR	JOHANNESBURG.
SOUTH AFRICAN TRANSPORT SERVICES.	
SUID-AFRIKAANSE VERVOERDIENSTE.	

**CLAMP: 500mm<sup>2</sup> NEG. RETURN CABLE**  
**STRUCTURES AT SUBSTATIONS.**  
**KLAMP: 500mm<sup>2</sup> NEG. TERUGVOERKABEL**  
**STRUKTURE BY SUBSTASIES.**

CEE-TMG-97&98.  
 CEE-TMG-163  
 ASSY. DRG. / SAMEST-TEK.  
 DRAWING NO. CEE-  
 TEKENING NO. TMF-465

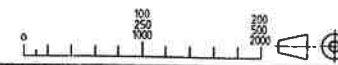
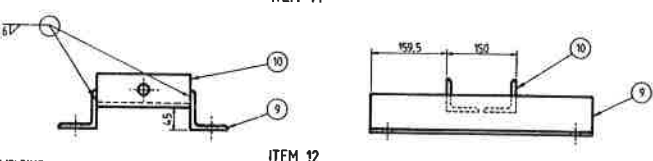
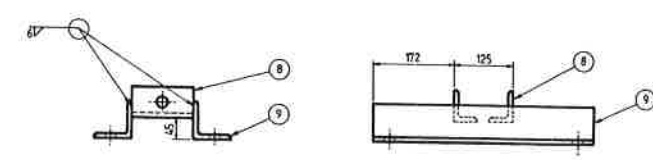
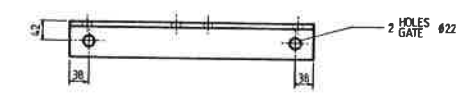
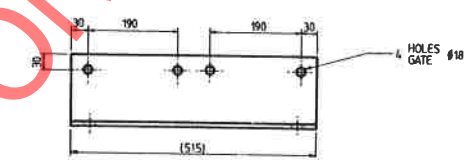
A2



FINISH / AFWERKING  
ZINC COAT ALL ITEMS TO  
SINKBEDEK ALLE ITEMS VOLG S A B S 763 AFTER WELDING  
NA SWEISWERK

ITEM NO	DESCRIPTION / BESKRYWING	QTY	STOKES	NO	NO	AMENDMENTS
		BYLD	MAGASTN	DRG	CEE	WYSKININGS
				TER		NO. NAME DATE
1	BUSBAR CARRIER GELEISTAMDRAER	—	—	—	—	
2	STEEL CHANNEL STAAL KANAAL 180 x 70 x 22kg/m = 8000	LONG LANK	4	—	—	
3	STEEL CHANNEL STAAL KANAAL 180 x 70 x 22kg/m = 8000	LONG LANK	2	—	—	
4	STEEL CHANNEL STAAL KANAAL 140 x 60 x 16kg/m = 8000	LONG LANK	2	—	—	ITEM 1, 379 WAS 475 ITEM 6, LENGTE WAS 750 ITEM 7, 38 WAS 35 ASSY DRG NO CEE- TMG-164 SH 1, ADDED
5	STEEL CHANNEL STAAL KANAAL 140 x 60 x 16kg/m = 8000	LONG LANK	1	—	—	ITEM 1, 379 WAS 475 ITEM 5, LENGTE WAS 750 ITEM 7, 38 WAS 35 SAMEST TEK NO CEE- TMG-164 VEL 1 BYGEVOEG
6	STEEL ANGLE STAAL HOEK 50 x 50 x 6 THK DIK = 710	LONG LANK	20	—	—	
7	STEEL ANGLE STAAL HOEK 50 x 75 x 525	LONG LANK	8	—	—	
8	BRACKET CLAMPING STEUN KLAMP	—	*	—	—	TMHA-77
9	BRACKET CLAMPING STEUN KLAMP	—	*	—	—	TMHA-241
10	BRACKET CLAMPING STEUN KLAMP	—	*	—	—	TMHA-78
11	BRACKET KNEEBRAKE ATTACHMENT, STEUN HEGSTUK VR KNIESPANSSTUK	—	2	—	—	
12	BRACKET BOOM ATTACHMENT, STEUN HEGSTUK VR DWARSBALK	—	2	—	—	

\* AS REQUIRED  
5005 BENDING



DIMENSIONS: MILLIMETRES  
AFMETINGS: MILLIMETER

DRW. DET.	M. ELLIS	GEN. TOLERANCES: UNLESS OTHERWISE SPECIFIED	ENQ. IN	R. B.
TRCD. NGT.	M. ELLIS	D.D. REF. T2/84/74		
CRD. HOE.	T. Norman	DATE: 29/11/85		
CHIEF ELECTRICAL ENGINEER ELEKTRIESE HOOFINGENIEUR		JOHANNESBURG		
SOUTH AFRICAN TRANSPORT SERVICES SUID-APRIKAANSE VERVOERDIENSTE				

ELECTRIFICATION TYPES: A, B, F  
BUSBAR CARRIER AND COMPONENTS  
SWITCH STRUCTURE AT SUBSTATION

ELEKTRIKASIE Tipes: A, B, F  
GELEISTAMDRAER EN KOMPONENTE  
SKAKELSTRUKTUUR BY SUBSTASIE

CEE-TMG-164 SH 1 VEL 1  
CEE-TMG-163 VEL 1  
CLASS/ASSY DRG  
KLAS/SAMEST-TEK

ELECTRIFICATION TYPES REF  
DRG NO CEE-MA-26 SH 75  
ELEKTRIKASIE Tipes VERW  
TEK NO CEE-MA-302 VEL 75

MODULUS ITEM NO.

PREVIOUS VORIGE

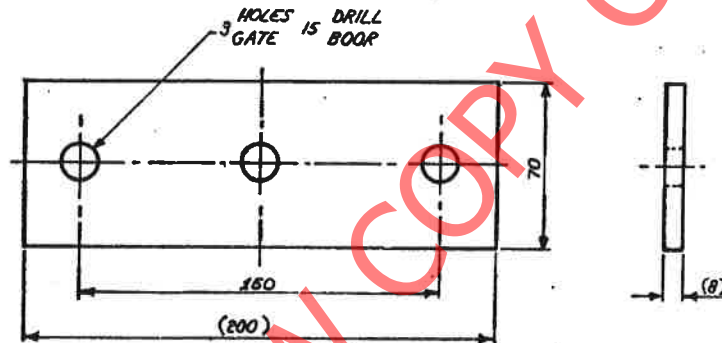
ITEM NO.

DRAWING NO. CEE-  
TMC-63

SHEET OF

ORIGINAL FRAME SIZE  
OORSPRONKLIKE RAAMSGROOTTE 257x180

m



DIMENSIONS : MILLIMETRES  
AFMETINGS : MILLIMETERS

MATERIAL - MATERIAAL  
STEEL FLAT BAR  
STAAL PLATSTAAF 200x8x70L  
SPEC CME SYM 8  
SPES WHI 9 SIM 8  
STORES  
MAGASYN ITEM N<sup>o</sup> 11/22273  
OR: COMMERCIAL GRADE  
OF: HANDELSGRAAD

GALVANISE TO SPEC.  
GALVANISEER OOREENKOMSTIG SABS 763

GENERAL TOLERANCES ALGEMENE TOLERANCES		UN. ± 0.50	ANG. HOEK. —
DRY. J. SWIEGERS. GET.	CKD. NGS. K. WINDT.	ENG. IR.	
D.O. REF. TK. VERW. C6713	DATE DATUM 7-11-73	<i>[Signature]</i>	
CHIEF ELECTRICAL ENGINEER ELEKTROTEGNIESE HOOFINGENIEUR		S.A.R. JOHANNESBURG S.A.S.	

STRAP, CABLE CLAMP  
BAND, KABELKLAMP

AMENDMENTS  
WYSIGINGS

N <sup>o</sup>	NAME NAAM	DATE DATUM
1	<i>[Signature]</i>	18-2-75

DIMENSION 150  
VAS 152  
AFMETING 150  
WAS 152  
D.O. REF. Y75/19  
TK-VERW.

ENW-E1H-184.8-194.  
CEE-TMG-4,-5,-6 R-7  
ASSY DRG./SAMEST.TEK

DRAWING  
TEKENING N<sup>o</sup> CEE

TMHF-29.

3

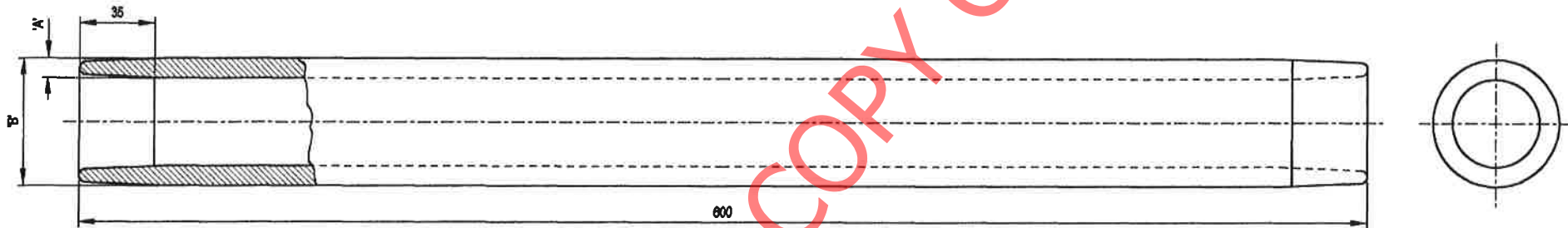
4

4

3



CONDUCTOR	"DEER" TO "DEER" (NOTE 3)	"LAPWING" TO "LAPWING" (NOTE 3)	"DEER" TO 600mm <sup>2</sup> AAC (NOTE 3)	"LAPWING" TO 800mm <sup>2</sup> AAC (NOTE 3)
DIMENSION 'A'	10,72 ± 0,45	9,1 ± 0,45	10,72 ± 0,45	9,1 ± 0,45
DIMENSION 'B'	53,98 ± 0,2	58,72 ± 0,2	53,98 ± 0,2	58,72 ± 0,2
INNER SPLICE	DRG NO BBB3594 (NOTE 3)	DRG NO BBB3595 (NOTE 3)	DRG NO BBB3596 (NOTE 3)	DRG NO BBB3597 (NOTE 3)
STORES ITEM NO	54/33469	54/33470	54/33482	54/33494



NOTES

1. FOR ARRANGEMENT DETAIL OF "DEER" TO "DEER" OR "LAPWING" TO "LAPWING" SEE DRG NO BBB3592.
2. FOR ARRANGEMENT DETAIL OF 600mm<sup>2</sup> OR 800mm<sup>2</sup> AAC TO "DEER" OR "LAPWING" ACSR SEE DRG NO BBB3591.
3. EACH SPLICE KIT MUST BE ACCOMPANIED BY THE APPROPRIATE INNER SPLICE.
4. FOR TENSION SPLICE OR CRIMP LENGTH SEE DRG NO CEE-TN8-29.

© COPYRIGHT PROTECTED

DIMENSIONS : mm SCALE : 1 : 2  
 TOLERANCE : LIN ± 0,5 ANG ± - ITEM NO : -  
 MATERIAL : ALUMINIUM TO SPEC CEE.0038.  
 VERSION INFO : -

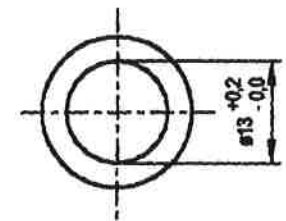
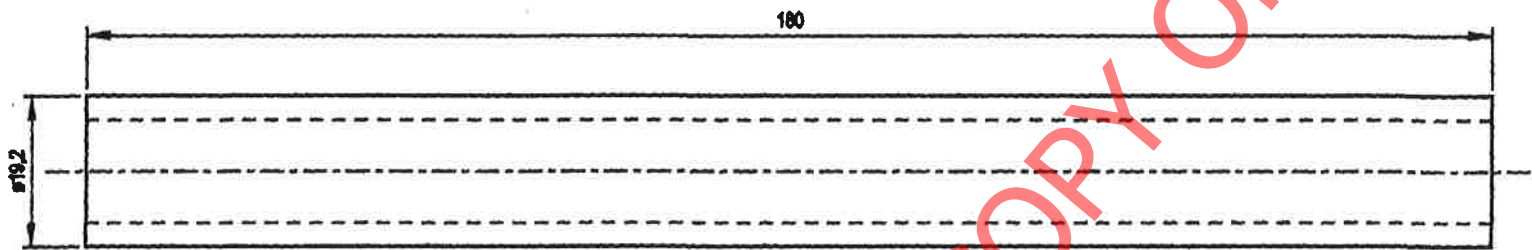
DO REF : CDO/2357  
 ECP REF : -  
 DRAWN : JR Anthony  
 DESIGNED : -  
 CHECKED : JD van Dyk

DATE: 12/2/2003  
  
 APPROVED  
 AUTHORIZED

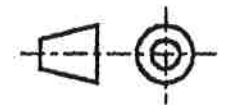
CENTRAL DRAWING OFFICE

TENSION SPLICE (600mm LONG) FOR  
 ACSR TO ACSR OR ACSR TO AAC CONDUCTORS

SPOORNET  
 BBB3593  
 VERSION 1



NOTE  
MINIMUM OF 3 (THREE) CRIMPS (EACH CRIMP = 25mm WIDE).



© COPYRIGHT PROTECTED

DIMENSIONS : mm SCALE : 1 : 1  
TOLERANCE : LIN  $\pm 0,5$  ANG  $\pm -$  ITEM NO : -  
MATERIAL : STEEL, TUBE,  $\phi 19,2$  O.D. AND  $\phi 13$  I.D.  
VERSION INFO :-

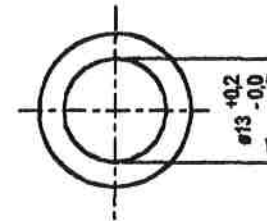
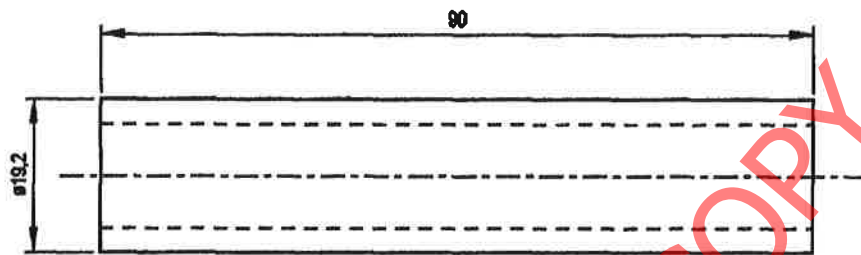
DO REF : CDO/2357  
ECP REF : -  
DRAWN : JR Anthony  
DESIGNED : -  
CHECKED : JD van Dyk

DATE: 12/2/2003  
  
APPROVED  
AUTHORISED

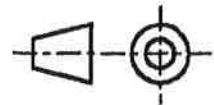
CENTRAL DRAWING OFFICE  
INNER SPLICE, MID- SPAN  
STEEL REINFORCING  
"DEER" ACSR CONDUCTOR

SPOORNET

BBB3594  
VERSION 1



**NOTE**  
 MINIMUM OF 3 (THREE) CRIMPS (EACH CRIMP = 25mm WIDE).



"PREVIEW COPY ONLY"

© COPYRIGHT PROTECTED

**DIMENSIONS** : mm      **SCALE** : 1 : 1  
**TOLERANCE** : LIN  $\pm 0,5$  ANG  $\pm$       **ITEM NO.** : -  
**MATERIAL** : STEEL, TUBE,  $\phi 19,2$  O.D. AND  $\phi 13$  I.D.  
**VERSION INFO** :-

**DO REF** : CDO/2357  
**ECP REF** : -  
**DRAWN** : JR Anthony  
**DESIGNED** : -  
**CHECKED** : JD van Dyk

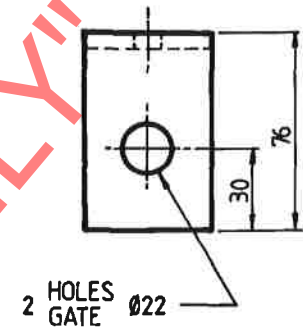
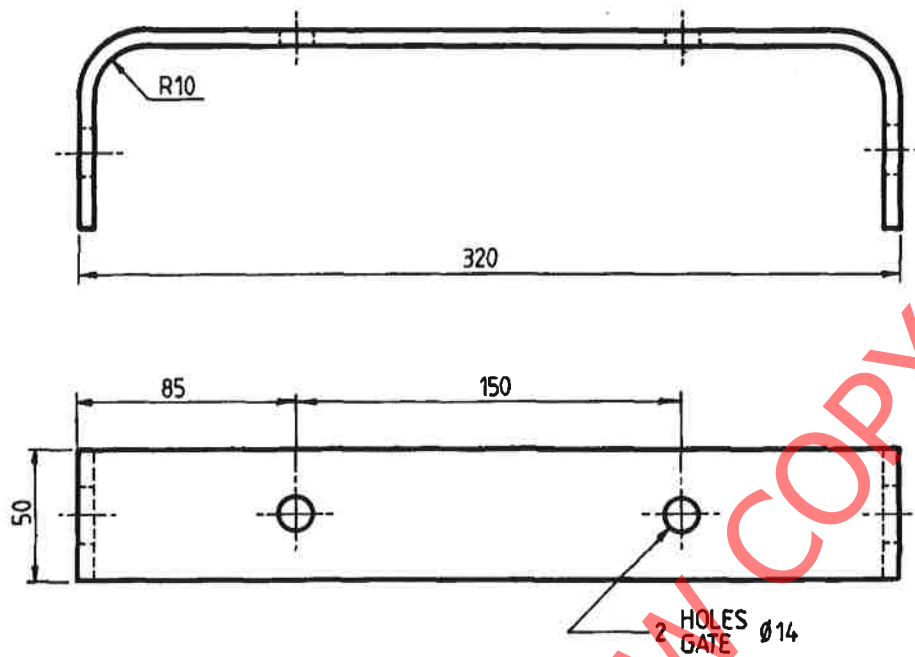
**DATE**: 12/2/2003

APPROVED  
 AUTHORIZED

CENTRAL DRAWING OFFICE  
**INNER SPLICE**  
**STEEL REINFORCING**  
**"DEER" ACSR CONDUCTOR**

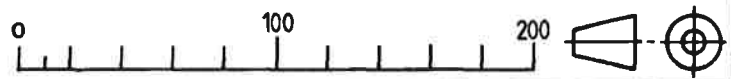


**BBB3596**  
 VERSION 1



DIMENSIONS: MILLIMETRES.  
AFMETINGS: MILLIMETER.

MATERIAL - MATERIAAL  
 STEEL, FLAT 50 x 6 THK x 475L  
 STAAL, PLAT DIK x 475L  
 SPEC. CME 9 SYM. 8  
 SPES. SIM.  
 STORES ITEM NO. (M)11/12279  
 MAGASYN ITEM NO.



AMENDMENTS WYSIGINGS		
NO.	NAME NAAM	DATE DATUM

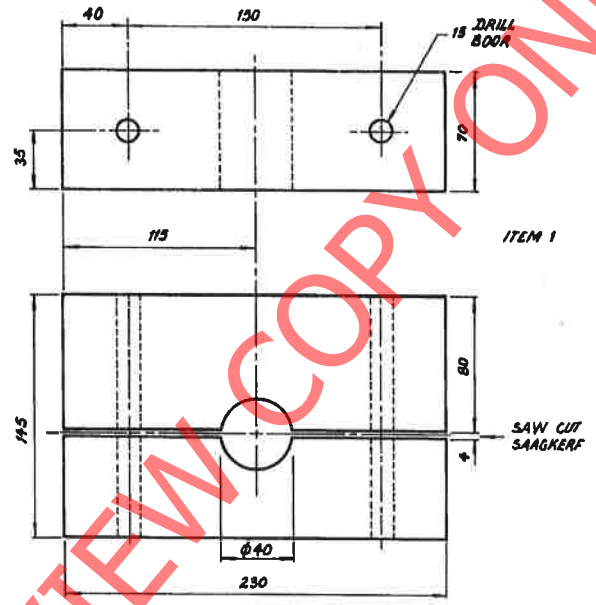
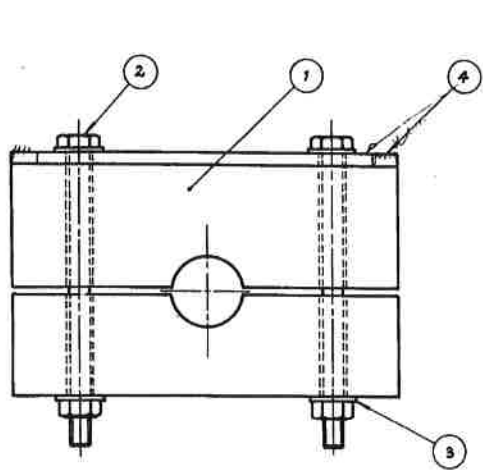
CEE - TMG - 163 VEL 1  
 CLASS/ASSY. DRG  
 KLAS/SAMEST. -TEK.  
 ELECTRIFICATION TYPES REF  
 ORG NO CEE-MA-26 SH 7B  
 ELEKTRIFIKASIE TIPES VERW  
 TEK. NO CEE-MA-369 VEL 7B  
 MODULUS ITEM NO.

DRN. GET. P.J.M. ELLIS	GEN. TOLERANCES: LIN. ±1 ALG. TOLERANSIES: ANG/HOEK 1°	ELECTRIFICATION TYPES B,F BRACKET CLAMP, NEGATIVE RETURN CABEL ELEKTRIFIKASIE TIPES B,F STEUNSTUK KLAMP, NEGATIEWE TERUGVOERKABEL
TRCD. NGT. P.J.M. ELLIS	D.O. REF. TK-VERW T2/84/74 ENG. IR R. B.	
CKD. NGS. T. HUMAN	DATE DATUM 29/11/85 for. R. Mann ns.	
CHIEF ELECTRICAL ENGINEER ELEKTRIESE HOOFINGENIEUR JOHANNESBURG		
SOUTH AFRICAN TRANSPORT SERVICES SUID-AFRIKAANSE VERVOERDIENSTE		

PREVIOUS VORIGE ITEM NO.	
DRAWING TEKENING NO.	CEE- TMHF - 218
SHEET VEL	OF VAN

PHOTRA

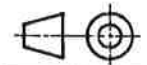
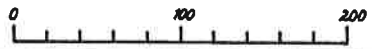
ITEM	DESCRIPTION - BESKRYWING	QTY HWLD.	STORES MAGASYN NO.	DRG. NO. CEE- TEK.	AMENDMENTS WYSIGINGS		
					NO.	NAME NAAM	DATE DATUM
1	MOUNTING BLOCK (HARDWOOD, IRKO OR SIMILAR) MONTEERBLOK (HARDEHOUT, IRKO OF SOORTGELYK)	1					
2	BOLT & NUT, STEEL, HEX. HD. GALV. BOU & MOER, STAAL, SESK. KOP GEGALV. M12x165	2	(M) 01/43579.				
3	WASHER, FLAT. STEEL, RD. GALV. WASER, PLAT. STAAL, RD. GEGALV. M12	4	(M) 01/33659.				
4	STRAP, CABLE CLAMP BAND, KABELKLAMP.	1		TMNF - 29.			



FINISH:  
ITEM 1: IMMERSE IN CREOSOTE

AFMERKING:  
ITEM 1: DOMPEL IN KREOSOOT

DIMENSIONS: MILLIMETRES  
AFMETINGS: MILLIMETER

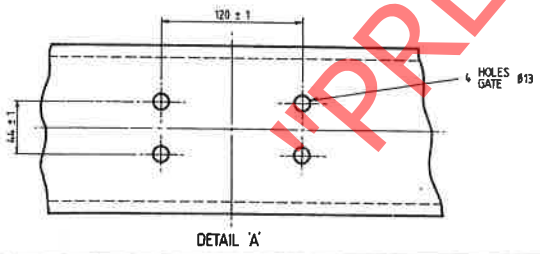
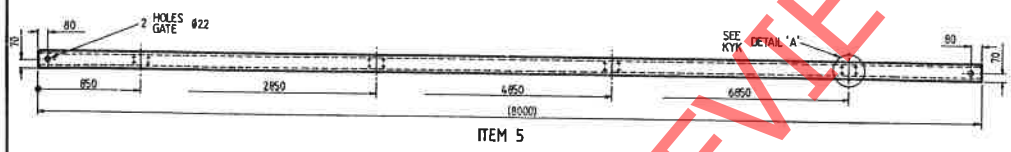
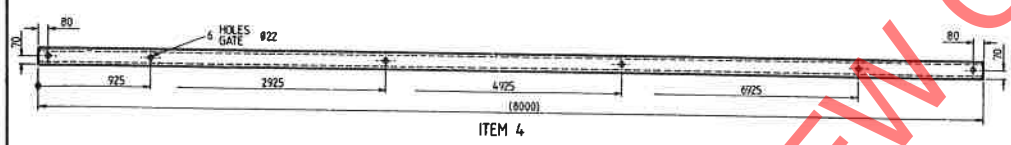
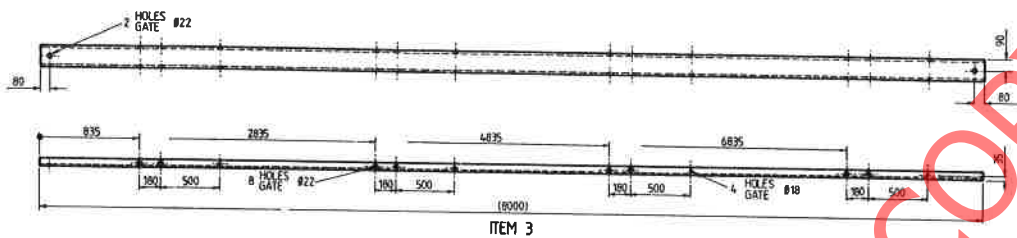
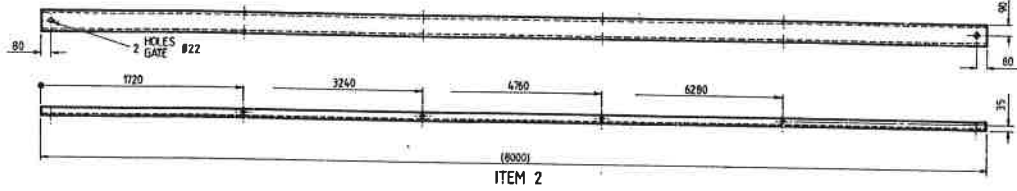
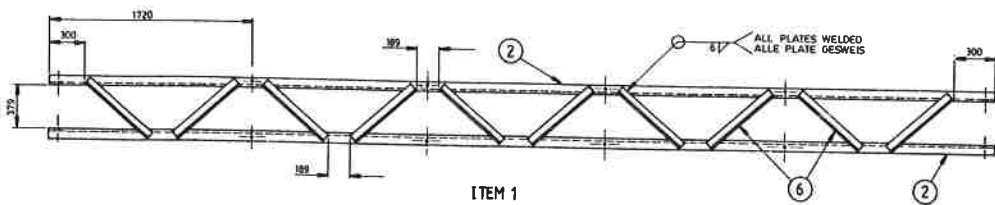


DRN. GET.	GEN. TOLERANCES: LIN ± 7 ALG. TOLERANSIES: ANG/HOEK
TRCD NGT.	DO. REF. 12/83/B TK-VERW. IR
CKD NGS	DATE 03/04/21
CHIEF ELECTRICAL ENGINEER ELEKTRIESE HOOFINGENIEUR	
SOUTH AFRICAN TRANSPORT SERVICES SUID-AFRIKAANSE VERVOERDIENSTE	

**CLAMP: 500 mm<sup>2</sup> NEG. RETURN CABLE**  
STRUCTURES AT SUBSTATIONS.  
**KLAMP: 500 mm<sup>2</sup> NEG. TERUGVOERKABEL**  
STRUKTURE BY SUBSTASIES.

CEE-TMG-97R98.  
CEE-TMG-163  
ASSY DRG./SAMEST-TEK  
DRAWING NO. CEE-  
TEKENING TMF-465

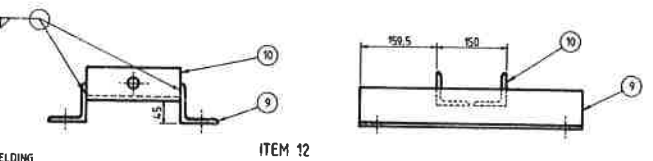
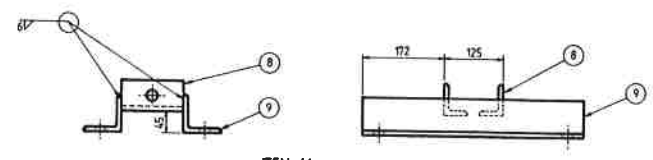
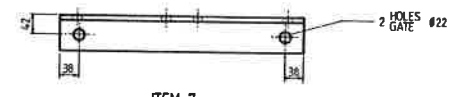
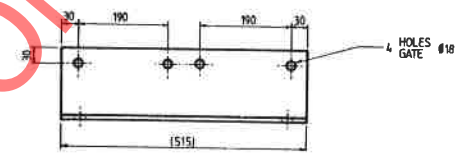
A2



FINISH / AFWERKING  
ZINC COAT ALL ITEMS TO  
SINKBEDEK ALLE ITEMS VOLG S A B S 763 AFTER WELDING  
NA SWEISWERK

ITEM NO	DESCRIPTION / BESKRYWING	QTY HVLD	STORES MAGASYN	NO	ORG TEK	NO CEE	AMENDMENTS WYSKONIS
1	BUSBAR CARRIER GELEISTAMDRAER	---	---	---	---	---	NO. NAME DATE 1 /Mx / /
2	STEEL CHANNEL STAAL KANAAL 180 x 70 = 22kg/m = 8000 LONG LANK	4	---	---	---	---	ITEM 1, 379 WAS 475
3	STEEL CHANNEL STAAL KANAAL 180 x 70 = 22kg/m = 8000 LONG LANK	2	---	---	---	---	ITEM 6, LENGTH WAS 750
4	STEEL CHANNEL STAAL KANAAL 140 x 60 = 16kg/m = 8000 LONG LANK	2	---	---	---	---	ITEM 7, 38 WAS 35
5	STEEL CHANNEL STAAL KANAAL 140 x 60 = 16kg/m = 8000 LONG LANK	1	---	---	---	---	ASSY DRG NO CEE - TMG-164 SH 1 ADDED
6	STEEL ANGLE STAAL HOEK 50 x 50 x 6 THK DIX = 710 LONG LANK	20	---	---	---	---	ITEM 1, 379 WAS 475
7	STEEL ANGLE STAAL HOEK 150 x 75 = 525 LONG LANK	8	---	---	---	---	ITEM 6, LENGTH WAS 750
8	BRACKET CLAMPING STELN KLAMP	*	---	---	---	---	ITEM 7, 38 WAS 35
9	BRACKET CLAMPING STELN KLAMP	*	---	---	---	---	GAMESST TEK NO CEE - TMG-164 VEL 1 BYGEVOEG
10	BRACKET CLAMPING STELN KLAMP	*	---	---	---	---	DO REF T86/102
11	BRACKET, KNEEBRAKE ATTACHMENT STELN HEGSTUK VIR KNEESPANSTUK	2	---	---	---	---	TRK-VERW
12	BRACKET, BOOM ATTACHMENT STELN HEGSTUK VIR DWARSBALK	2	---	---	---	---	

\* AS REQUIRED SOOS BEHOOR



DIMENSIONS: MILLIMETRES  
AFMETINGS: MILLIMETER

DRN. G.E.T.	M. ELLIS	GEN. TOLERANCES: LIN. ± 2 ALSO TOLERANCES: ANG/POEK ± 1°
TRCD. NGT.	M. ELLIS	ENG. DR. R. B.
CRD. NOS. T. Hurm	DATE: 29/11/85	for: R. B. M. for
CHIEF ELECTRICAL ENGINEER ELEKTRIESE HOOFGENEELN		JOHANNESBURG
SOUTH AFRICAN TRANSPORT SERVICES SUID-APRKAANSE VERVOERDIENSTE		

ELECTRIFICATION TYPES: A, B, F  
BUSBAR CARRIER AND COMPONENTS  
SWITCH STRUCTURE AT SUBSTATION

ELEKTRIKASIE Tipes: A, B, F  
GELEISTAMDRAER EN KOMPONENTE  
SKAKELSTRUKTUUR BY SUBSTASIE

CEE-TMG-164 SH 1 VEL 1  
CEE-TMG-163 VEL 1  
CLASS/ASSY DRG  
KLAS/SAMEST-TEK

ELECTRIFICATION TYPES REF  
DRG NO CEE-164-25 SH 7B  
ELEKTRIKASIE Tipes VERW  
TEK NO CEE-164-369 VEL 7B

MODULUS ITEM NO.

PREVIOUS VOORIGE	ITEM NO.
DRAWING TERKENING NO.	CEE-
	TMC-63
SHEET VEL	OF VAN