



Transnet SOC Limited
Transnet RME

REQUEST FOR QUOTATION

BOARD LIST TFR RME
TRANSNET FREIGHT RAIL - RME
PROCUREMENT DEPARTMENT
2000

Registration Number: 1990/000900/06
Vat Number : 4720103177

Attention:

Telephone Number :
Fax Number :
Vendor Number :2004815

Quotation Deadline Date : 27.06.2014
Quotation Deadline Time : 16H00

REQUEST for QUOTATION

Transnet RME

RFQ Number / Date

6000200514 / 26.06.2014

Contact Person / Telephone

Anne Mngile / 031 361 1759

Return to FAX Number/EMAIL

0318200001 / TCPtendersDurban@Transnet.net

Item	Material	Description	RFQ Qty	UoM	Required Del date	Confirm Del date	Unit Price Excl	Total Price Excl
00010		EARTH WIRE PORTABLE 3KV	10	ea	25.07.2014			
EARTH WIRE PORTABLE 3KV FOR AC TRACTION AS PER SPEC.BBB1679 VERSION 4 CLAUSE 7.1 LINE TO RAIL 15M LONG								
00020		TELESCOPIC EARTH STICK	6	ea	11.07.2014			
TELESCOPIC EARTH STICK PART NUMBER LLT-LINK12-TELESCOPIC LINK STICK 12M FOR HIGH VOLTAGE LINES								
00030		HEIGHT AND STAGGR GUAGE	3	ea	11.07.2014			

HEIGHT AND STAGGER GUAGE 3KV DC AS PER CEE-TWE-2

FOR MORE INFORMATION PLEASE CONTACT THOBEKA 0837791651



Transnet SOC Limited
 Transnet RME
 BOARD LIST TFR RME
 TRANSNET FREIGHT RAIL - RME
 PROCUREMENT DEPARTMENT
 2000
 YOUR VAT NUMBER WITH US: NOT

REQUEST FOR QUOTATION

Registration Number: 1990/000900/06
 Vat Number : 4720103177

Attention:
 Telephone Number :
 Fax Number :
 Vendor Number :2004815

Quotation Deadline Date : 27.06.2014
Quotation Deadline Time : 16H00

REQUEST for QUOTATION
 Transnet RME
RFQ Number / Date
 6000200514 / 26.06.2014
Contact Person / Telephone
 Anne Mongie / 031 361 1759
Return to FAX Number/EMAIL
 031810000 / TCPtendersDurban@Transnet.net

Item	Material	Description	RFQ Qty	UoM	Required Del date	Confirm Del date	Unit Price Excl	Total Price Excl
------	----------	-------------	---------	-----	-------------------	------------------	-----------------	------------------

QUOTES MUST BE SENT TO : TCPtendersDurban@transnet.net
 CLOSING DATE : 27 JUNE 2014 AT 16H00.
 KINDLY ATTACH COPIES OF BBBEE AND TAX CLEARANCE CERTIFICATES TO QUOTES.
 ALL PROCUREMENT RELATED QUERIES MUST BE DIRECTED TO :
 ANNE MONGIE : 031 361 1759.
 E-MAIL : anne.mongie@transnet.net

"PREVIEW COPY"



Transnet SOC Limited
Transnet RME
 BOARD LIST TFR RME
 TRANSNET FREIGHT RAIL - RME
 PROCUREMENT DEPARTMENT
 2000
 YOUR VAT NUMBER WITH US: NOT

REQUEST FOR QUOTATION

Registration Number: 1990/000900/06
Vat Number : 4720103177

Attention:

Telephone Number :
 Fax Number :
 Vendor Number :2004815

Quotation Deadline Date : 27.06.2014
Quotation Deadline Time : 16H00

REQUEST for QUOTATION
 Transnet RME
RFQ Number / Date
 6000200514 / 26.06.2014
Contact Person / Telephone
 Anne Menga / 031 361 1759
Return to FAX Number/EMAIL
 031820000 / TCPtendersDurban@Transnet.net

Delivery Address
 TFR RME Durban
 100 Eel Road
 Bayhead, Durban
 4001

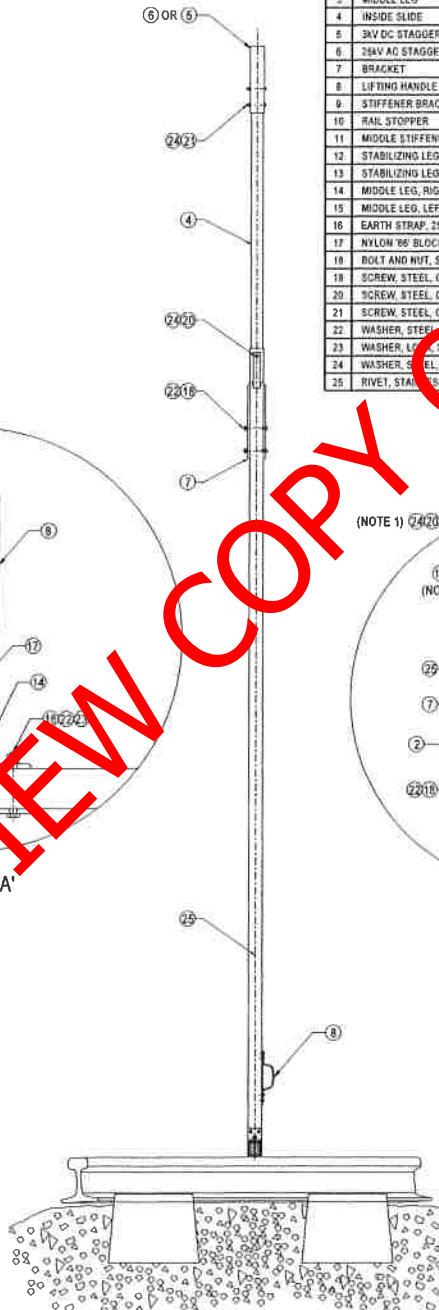
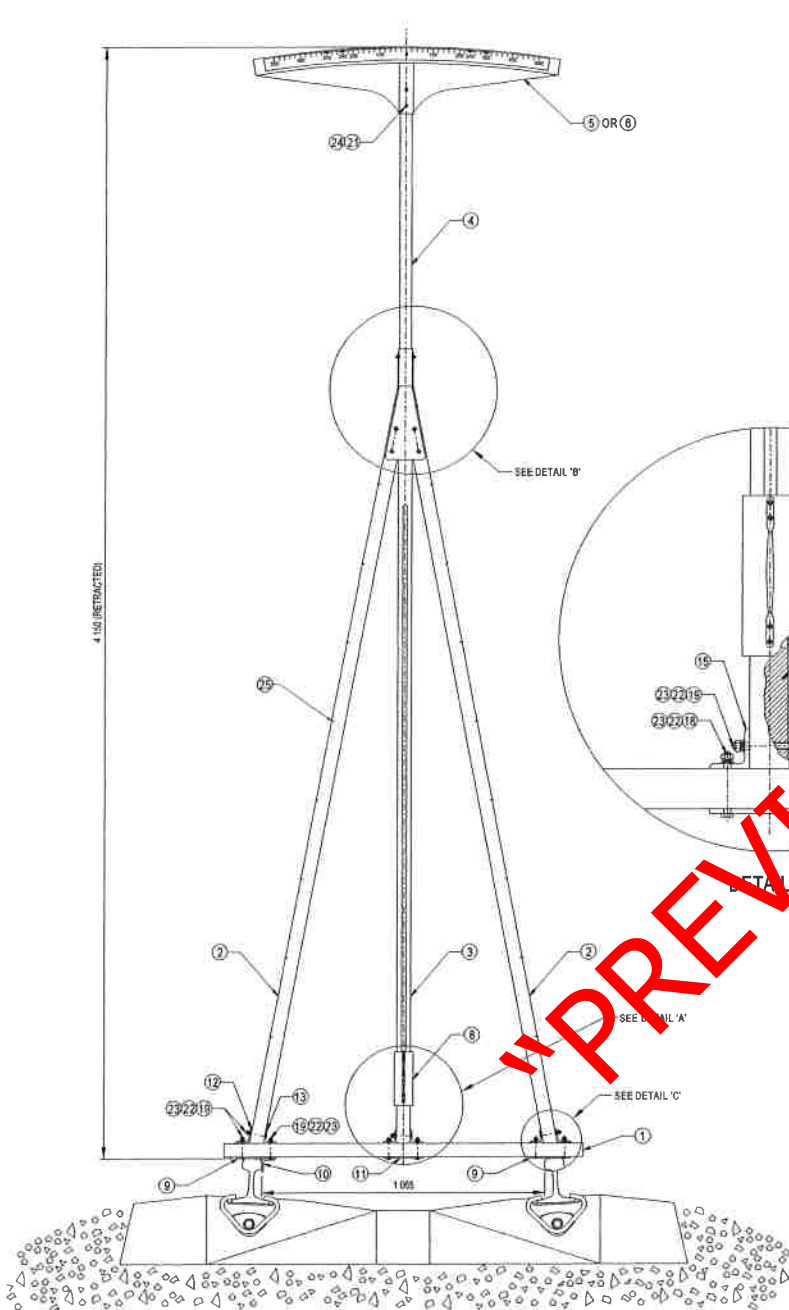
This RFQ is subject to the following conditions:

1. Price/s : The price/s quoted in SA currency and is excluding of V.A.T
2. Delivery : The price/s quoted should include delivery cost to the delivery address stated on the RFQ
3. Returnables : A valid tax clearance certificate and BBBEE certificate from a SANAS accredited verification agency attached to quotation for all quotes above R30 000.
 Please note that only the official Transnet RFQ will be accepted and all other correspondence to be attached to the original
4. Safety : To confirm to Transnet Capital Projects Health & Safety plan and specification; HAS-std-0001, copy available on request.
5. Confirmation: To confirm your participation in this tender process please sign and return this document as immediate effect prior to the quotation deadline.
6. Negotiations: The Employer may elect to negotiate the final terms of the contract/order with the preferred tenderer in accordance with Clauses F.2.17 and F.3.13 of the CIDB Standard Conditions of Tender. A copy of which is available upon request.

Signature _____

Date _____

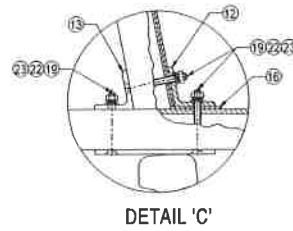
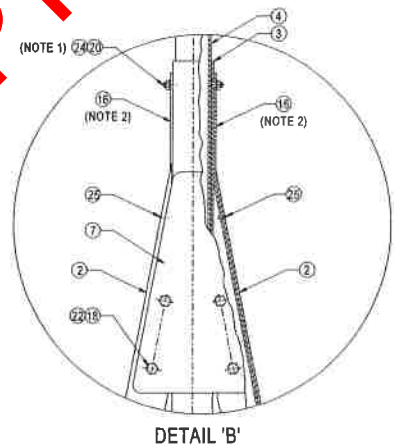
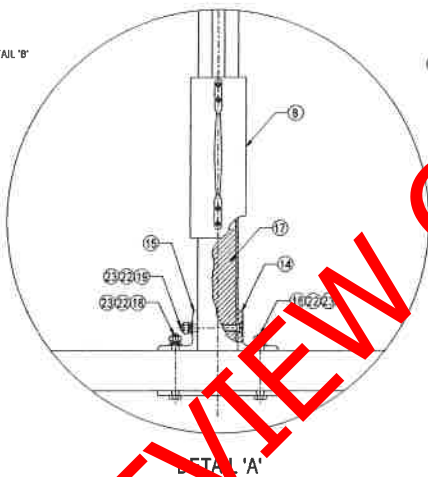
"PRELIMINARY COPY"



ITEM	DESCRIPTION	QTY	STORES ITEM NO	DRAWING NO CEE-	AMENDMENTS
1	BASE	1	-	BBB4345	NO NAME DATE
2	STABILIZING LEG	2	-	BBB4346	2 W.F. MANS 2003-10-27
3	MIDDLE LEG	1	-	BBB4347	REVISED AND REDRAWN.
4	INSIDE SLIDE	1	-	BBB4348	TITLE CHANGED.
5	3kV DC STAGGER GAUGE HEAD	1	-	BBB4349	ECP REF: 2003-068
6	25kV AC STAGGER GAUGE HEAD	1	-	BBB4350	DO REF: CDO2865
7	BRACKET	2	-	BBB4353 ITEM 10	3 [Signature] [Date]
8	LIFTING HANDLE ASSEMBLY	1	-	BBB4351	ITEM 17 REMOVED FROM
9	STIFFENER BRACKET	2	-	BBB4353 ITEM 1	BASE AND DETAIL 'C'
10	RAIL STOPPER	1	-	BBB4353 ITEM 8	QUANTITY OF ITEM 17 WAS 4
11	MIDDLE STIFFENER	1	-	BBB4353 ITEM 2	ECP REF: BBB5039
12	STABILIZING LEG, OUTSIDE BRACKET	2	-	BBB4353 ITEM 4	DO REF: CDO3589
13	STABILIZING LEG, INSIDE BRACKET	2	-	BBB4353 ITEM 5	
14	MIDDLE LEG, RIGHT BRACKET	1	-	BBB4353 ITEM 7	
15	MIDDLE LEG, LEFT BRACKET	1	-	BBB4353 ITEM 8	
16	EARTH STRAP, 25 x 3 x 3 09SL (SEE NOTES)	2	-	-	
17	NYLON '86' BLOCK, SIMILAR OR EQUIV. APPROVED.	1	-	BBB4353 ITEM 9	
18	BOLT AND NUT, STEEL, GALV. HD, HEAD 18 x 80L	8	-	-	
19	SCREW, STEEL, GALV. CS HEAD, SLOTTED, 18 x 70L	12	-	-	
20	SCREW, STEEL, GALV. CS HEAD, SLOTTED, 18 x 70L	2	-	-	
21	SCREW, STEEL, GALV. CS HEAD, SLOTTED, 18 x 70L	2	-	-	
22	WASHER, STEEL, GALV. HD, 18 x 70L	20	-	-	
23	WASHER, L2, STEEL, GALV. HD, SQUARE SECTION, 18	20	-	-	
24	WASHER, STEEL, FLAT, GALV. HD, 18 x 70L	4	-	-	
25	RIVET, STAINLESS STEEL, 18 x 70L, POP TYPE (POP RIVET)	*	-	-	

* AS REQUIRED

"PREVIEW COPY ONLY"



- NOTES
1. EARTH STRAPS TO BE SECURED TO TOP OF MIDDLE LEG BEFORE INSERTING INSIDE SLIDE
 2. EARTH STRAP TO BE RIVETED TO INSIDE OF BOTH STABILIZING LEGS AT 300mm INTERVALS.
 3. THE FRAMES MUST ALL BE CLEARLY MARKED WITH THE FOLLOWING:
 - MANUFACTURERS NAME
 - DATE OF MANUFACTURE / SERIAL NUMBER
 - SPOONET APPROVED IN TERMS OF ELECTRICAL SAFETY INSTRUCTIONS CLAUSE 603.3

PROTOTYPE

DO REF: T1185/70	GEN TOL: LIN ± 2	ANG ± 0° 30'
DRN: H van VUUREN	CKD: -	DATE: 1985-06-13
ENG: JD KRUGER	JD KRUGER	for CHIEF ENG

CENTRAL DRAWING OFFICE SPOONET

HEIGHT AND STAGGER GAUGE
3kV DC AND 25kV AC ELECTRIFICATION

STORES ITEM NO 3kV DC - 54/033835 25kV AC - 54/033823	
DIMENSIONS: mm SCALE: 1:10	
	A1
DRAWING NO CEE - TWE - 2	
SHEET - OF -	