



Transnet SOC Limited
Transnet RME

REQUEST FOR QUOTATION

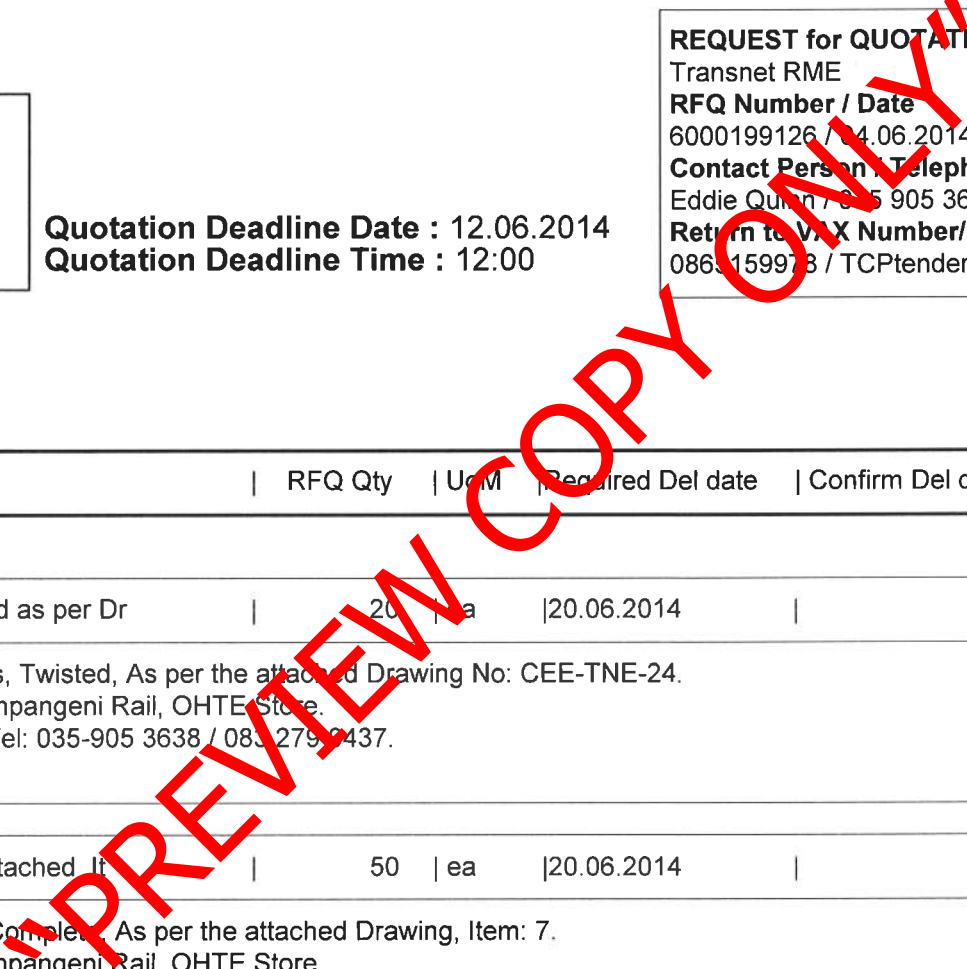
BOARD LIST TFR RME
TRANSNET FREIGHT RAIL - RME
PROCUREMENT DEPARTMENT
2000

Registration Number: 1990/000900/06
Vat Number : 4720103177

Attention:
TFR Tender Board.
Telephone Number :
Fax Number :
Vendor Number :2004815

Quotation Deadline Date : 12.06.2014
Quotation Deadline Time : 12:00

REQUEST for QUOTATION
Transnet RME
RFQ Number / Date
6000199126 / 04.06.2014
Contact Person / Telephone
Eddie Quinn / 035 905 3664
Return to FAX Number/EMAIL
0863 159973 / TCPtendersRichardsBay@Transnet.net



Item	Material	Description	RFQ Qty	UoM	Required Del date	Confirm Del date	Unit Price Excl	Total Price Excl
00010		Strap Twisted as per Dr	20	ea	20.06.2014			
Supply & Deliver, 20 x Straps, Twisted, As per the attached Drawing No: CEE-TNE-24. Deliver to: 1 Morris Road, Empangeni Rail, OHTE Store. Contact: Mr Pierre Crocker Tel: 035-905 3638 / 083 279 0437.								
00020		Pin as per attached	50	ea	20.06.2014			
Supply & Deliver, 50 x Pins Complete. As per the attached Drawing, Item: 7. Deliver to: 1 Morris Road, Empangeni Rail, OHTE Store. Contact: Mr Pierre Crocker Tel: 035-905 3638 / 083 279 0437.								
00030		M12 U-Bolt as per attac	90	ea	20.06.2014			
Supply & Deliver, 90 x M12 U-Bolts, As per the attached drawing, Item: 2.								



REQUEST FOR QUOTATION

Transnet SOC Limited
 Transnet RME
 BOARD LIST TFR RME
 TRANSNET FREIGHT RAIL - RME
 PROCUREMENT DEPARTMENT
 2000
 YOUR VAT NUMBER WITH US: NOT

Registration Number: 1990/000900/06
 Vat Number : 4720103177

Attention:
 TFR Tender Board.
 Telephone Number :
 Fax Number :
 Vendor Number :2004815

Quotation Deadline Date : 12.06.2014
Quotation Deadline Time : 12:00

REQUEST for QUOTATION
 Transnet RME
RFQ Number / Date
 6000199126 / 04.06.2014
Contact Person / Telephone
 Eddie Quinn / 035 905 3664
Return to FAX Number/EMAIL
 086 159978 / TCPtendersRichardsBay@Transnet.net

PREVIEW COPY

Item	Material	Description	RFQ Qty	UoM	Required Del date	Confirm Del date	Unit Price Excl	Total Price Excl
Deliver to: 1 Morris Road, Empangeni Rail, OHTE Store. Contact: Mr Pierre Crocker Tel: 035-905 3638 / 083 279 0437.								
00040		Angle as per attached s	96	ea	20.06.2014			
Supply & Deliver, 90 x Angles, As per the attached Angle sketch. Deliver to: 1 Morris Road, Empangeni Rail, OHTE Store. Contact: Mr Pierre Crocker Tel: 035-905 3638 / 083 279 0437.								
00050		Fitting Catenary Suspend	32	ea	20.06.2014			
Supply & Deliver, 32 x Fittings for Catenary Suspension, As per the attached Drawing No: CEE-TMF-389. Deliver to: 1 Morris Road, Empangeni Rail, OHTE Store. Contact: Mr Pierre Crocker Tel: 035-905 3638 / 083 279 0437.								
00060		Clamping Bracket as per	64	ea	20.06.2014			
Supply & Deliver, 64 x Clamping Brackets, As per the attached Drawing No:CEE-TMHA-170.								



Transnet SOC Limited
Transnet RME
 BOARD LIST TFR RME
 TRANSNET FREIGHT RAIL - RME
 PROCUREMENT DEPARTMENT
 2000
 YOUR VAT NUMBER WITH US: NOT

REQUEST FOR QUOTATION

Registration Number: 1990/000900/06
Vat Number : 4720103177

Attention:
 TFR Tender Board.
 Telephone Number :
 Fax Number :
 Vendor Number :2004815

Quotation Deadline Date : 12.06.2014
Quotation Deadline Time : 12:00

REQUEST for QUOTATION
 Transnet RME
RFQ Number / Date
 6000199126 / 04.06.2014
Contact Person / Telephone
 Eddie Quinn / 035 905 3664
Return to FAX Number/EMAIL
 0865 159978 / TCPtendersRichardsBay@Transnet.net

Item	Material	Description	RFQ Qty	UoM	Required Del date	Confirm Del date	Unit Price Excl	Total Price Excl
------	----------	-------------	---------	-----	-------------------	------------------	-----------------	------------------

Deliver to: 1 Morris Road, Empangeni Rail, OHTE Store.
 Contact: Mr Pierre Crocker Tel: 035-905 3638 / 083 279 0437.

Transnet Limited t/a Transnet Freight Rail (R.M.E.) # Richards Bay hereby invite your company to submit a detailed quotation for:

The Supply & Delivery of various Steel Manufactured O.H.T.E. Items, as requested above.

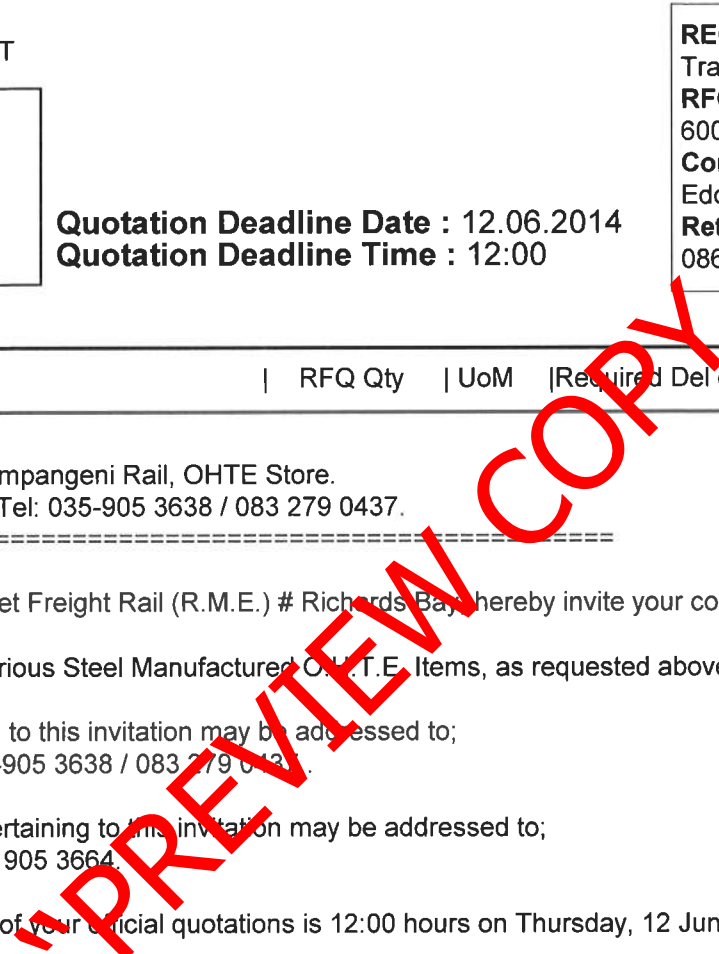
All technical queries relating to this invitation may be addressed to;
 Mr. Pierre Crocker Tel: 035-905 3638 / 083 279 0437.

All tender related queries pertaining to this invitation may be addressed to;
 Mr. Eddie Quinn, Tel: 035 # 905 3664.

The closing time for receipt of your official quotations is 12:00 hours on Thursday, 12 June 2014.

Transnet desires a validity period of 90 (Ninety) days from the closing date of this RFQ.

Telephonic and late quotes will not be accepted.
 All quotations should be clearly marked, and may be forwarded to:
 Me Yogeshnie Gengan, Tender & Fax Assistant,
 Fax No: 086 515 9978 and / or
 e-mailed to: TCPtendersRichardsBay@transnet.net





REQUEST FOR QUOTATION

Transnet SOC Limited
 Transnet RME
 BOARD LIST TFR RME
 TRANSNET FREIGHT RAIL - RME
 PROCUREMENT DEPARTMENT
 2000
 YOUR VAT NUMBER WITH US: NOT

Registration Number: 1990/000900/06
 Vat Number : 4720103177

Attention:
 TFR Tender Board.
 Telephone Number :
 Fax Number :
 Vendor Number :2004815

Quotation Deadline Date : 12.06.2014
Quotation Deadline Time : 12:00

REQUEST for QUOTATION
 Transnet RME
RFQ Number / Date
 6000199126 / 04.06.2014
Contact Person / Telephone
 Eddie Quinn / 05 905 3664
Return to FAX Number/EMAIL
 086 159973 / TCPtendersRichardsBay@Transnet.net

Item	Material	Description	RFQ Qty	UoM	Required Del date	Confirm Del date	Unit Price Excl	Total Price Excl
------	----------	-------------	---------	-----	-------------------	------------------	-----------------	------------------

The contractor's address and identification details have to be shown on each quotation submitted.

Please submit the following documents with your quotation;

- Valid Tax Clearance certificate.
- Copy of your latest B.B.B.E.E. Certificate.

Failing to submit any of the documents mentioned above could result in your quotation to be disqualified / not accepted.

Note: #Transnet may not necessarily accept the lowest or any other offer and reserves the right to select in its favor any or, a portion of any offer made"

If you have been contacted directly by the Supply Chain Office (Via a RFQ.), and you are unable to quote for these items, please submit a NO QUOTE.

Otherwise we look forward to receive your detailed quote by the date and time stated.

Yours faithfully.

"PREVIEW COPY ONLY"



Transnet SOC Limited
 Transnet RME
 BOARD LIST TFR RME
 TRANSNET FREIGHT RAIL - RME
 PROCUREMENT DEPARTMENT
 2000
 YOUR VAT NUMBER WITH US: NOT

REQUEST FOR QUOTATION

Registration Number: 1990/000900/06
 Vat Number : 4720103177

Attention:

TFR Tender Board.
 Telephone Number :
 Fax Number :
 Vendor Number :2004815

Quotation Deadline Date : 12.06.2014
Quotation Deadline Time : 12:00

REQUEST for QUOTATION

Transnet RME

RFQ Number / Date

6000199126 / 04.06.2014

Contact Person / Telephone

Eddie Quinn / 05 905 3664

Return to FAX Number/EMAIL

086 1159978 / TCPtendersRichardsBay@Transnet.net

Delivery Address

TFR RME Richards Bay
 Old Naval Base, Commodores Clo
 Meerensee, Richards Bay
 3900

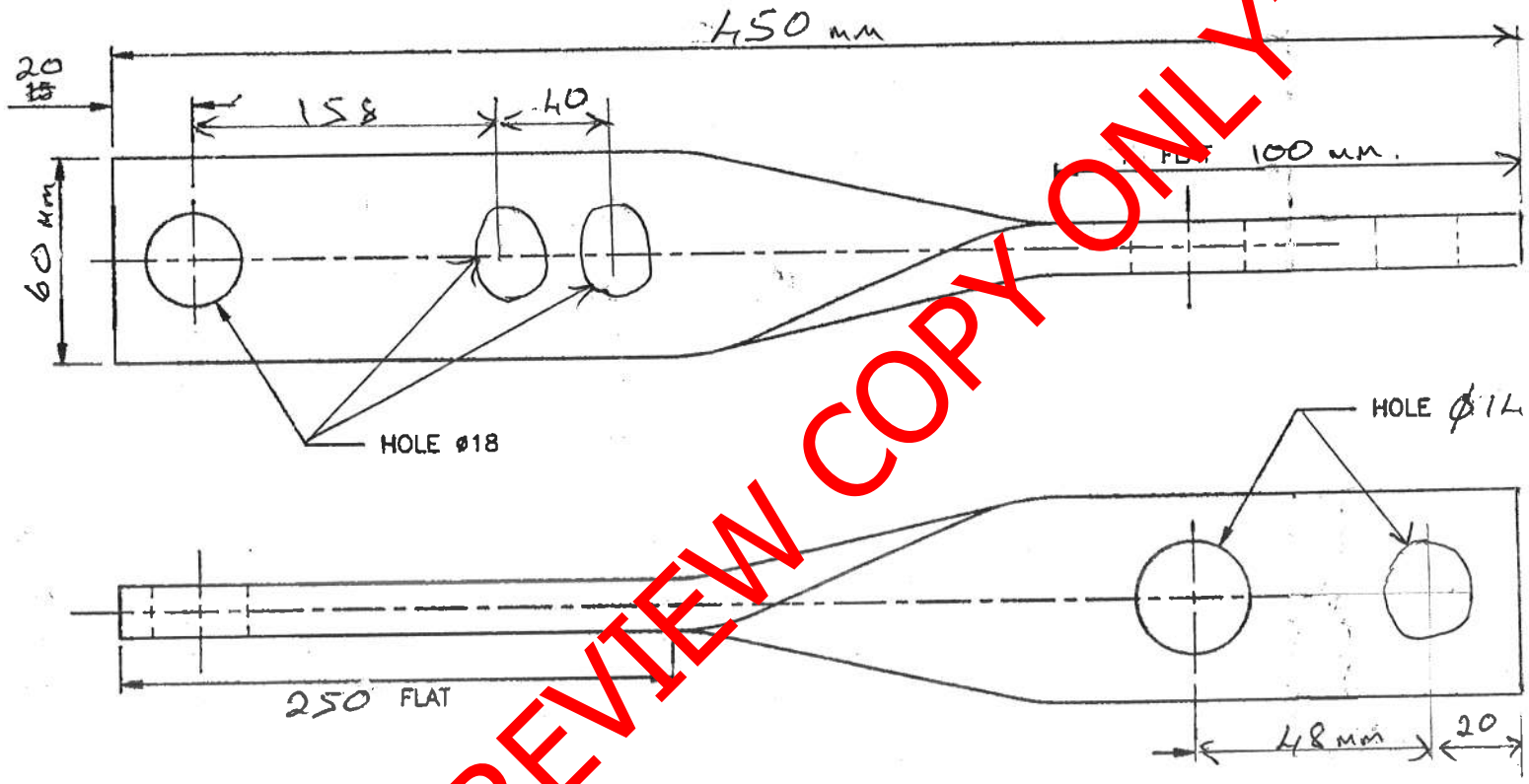
This RFQ is subject to the following conditions:

1. Price/s : The price/s quoted in SA currency and is excluding of V.A.T.
2. Delivery : The price/s quoted should include delivery cost to the delivery address stated on the RFQ
3. Returnables : A valid tax clearance certificate and BBBEE certificate from a SANAS accredited verification agency attached to quotation for all quotes above R30 000.
Please note that only the official Transnet RFQ will be accepted and all other correspondence to be attached to the original
4. Safety : To confirm to Transnet Capital Projects Health & Safety plan and specification; HAS-std-0001, copy available on request.
5. Confirmation: To confirm your participation in this tender process please sign and return this document as immediate effect prior to the quotation deadline.
6. Negotiations: The Employer may elect to negotiate the final terms of the contract/order with the preferred tenderer in accordance with Clauses F.2.17 and F.3.13 of the CIDB Standard Conditions of Tender. A copy of which is available upon request.

 Signature

 Date

AMENDMENTS		
NO	NAME	DATE



"PREVIEW COPY ONLY"



3CR12

MATERIAL: ITEM NO 11/12368, STEEL, FLAT, 60x 6 x 450L

DO REF: T93/046	GEN TOL: LIN± 0,5	ANG± -
DRN: W F MANS	CKD: H v VUUREN	DATE: 94-09-07
ENG: W BRIGHT	A VERSTEEG for CHIEF ENG	

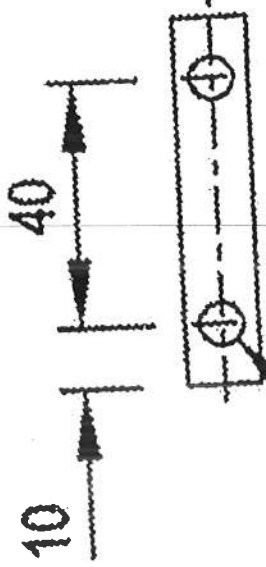
STRAP, TWISTED

INFRASTRUCTURE (ELECTRICAL)  SPOORNET

STORES ITEM NO	
DIMENSION: mm	
SCALE: 1:1	
 	A3
DRAWING NO CEE-	
TNE-24	
SHEET -	OF -

10000368

PIN.

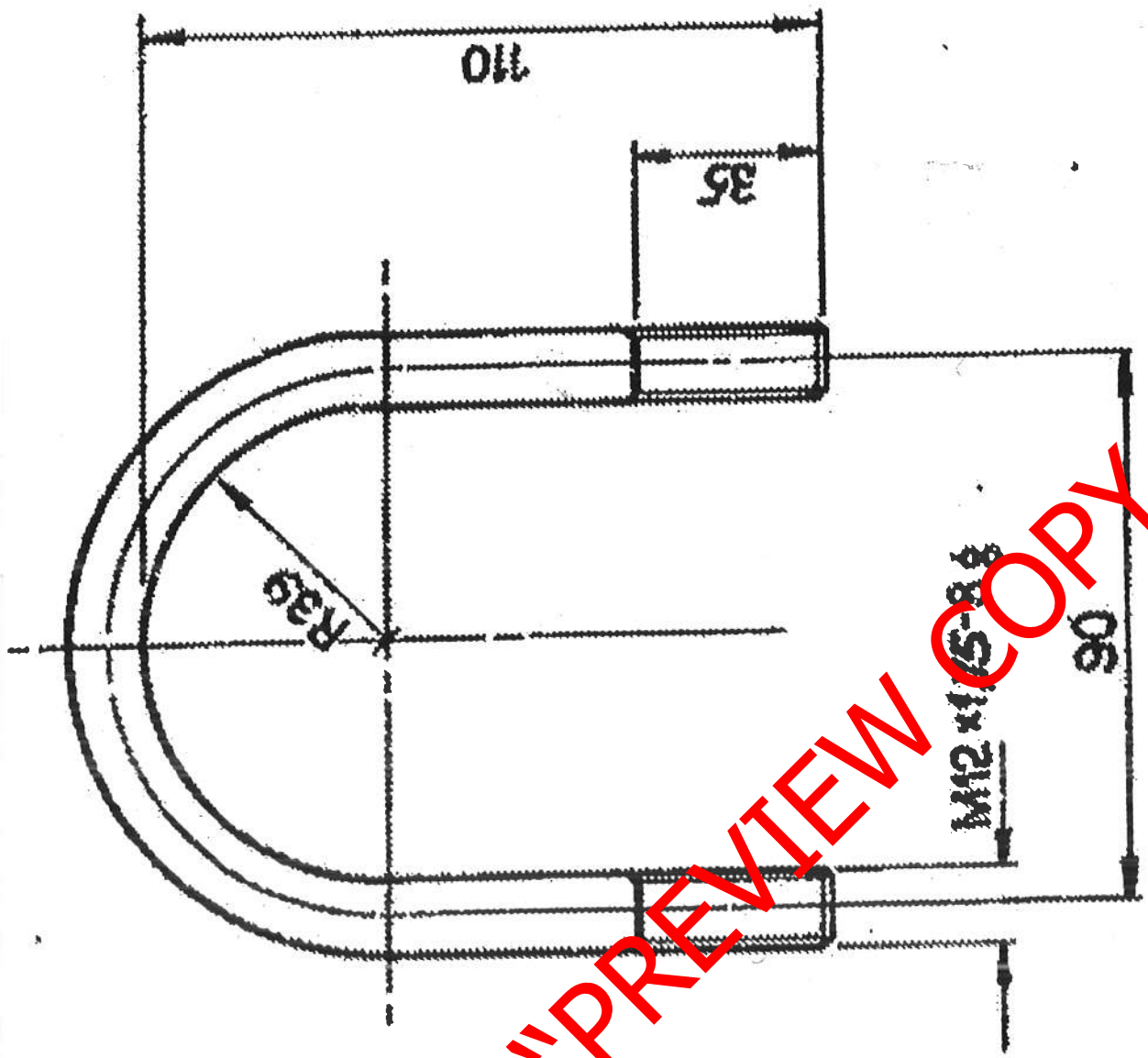


2 HOLES
MATERIAL: STAINLESS STEEL 304
ROUND 12mm Dia X 60mm L.

ITEM 7

NTS

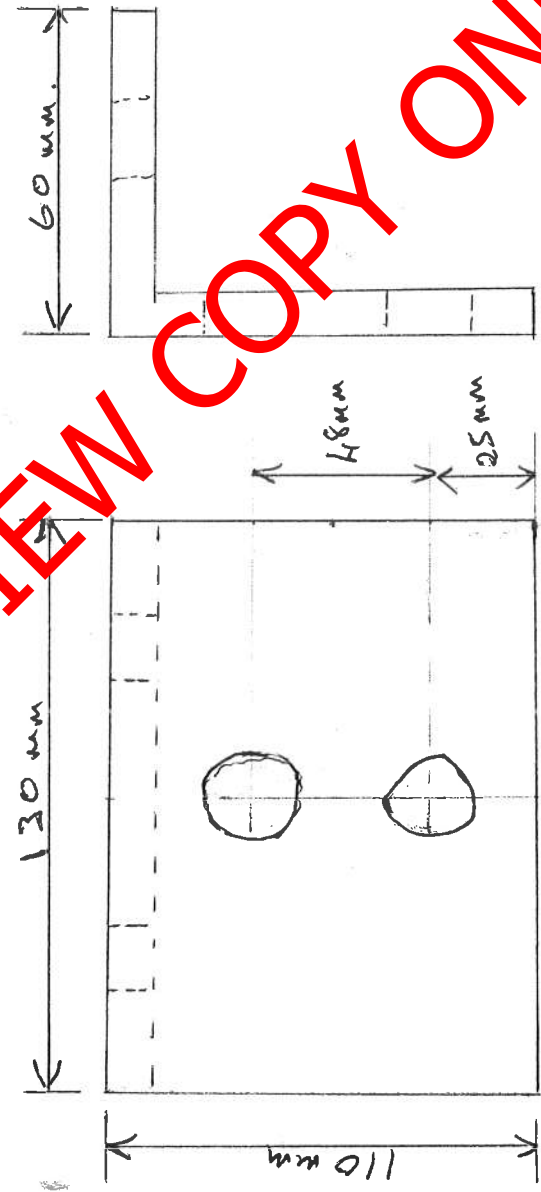
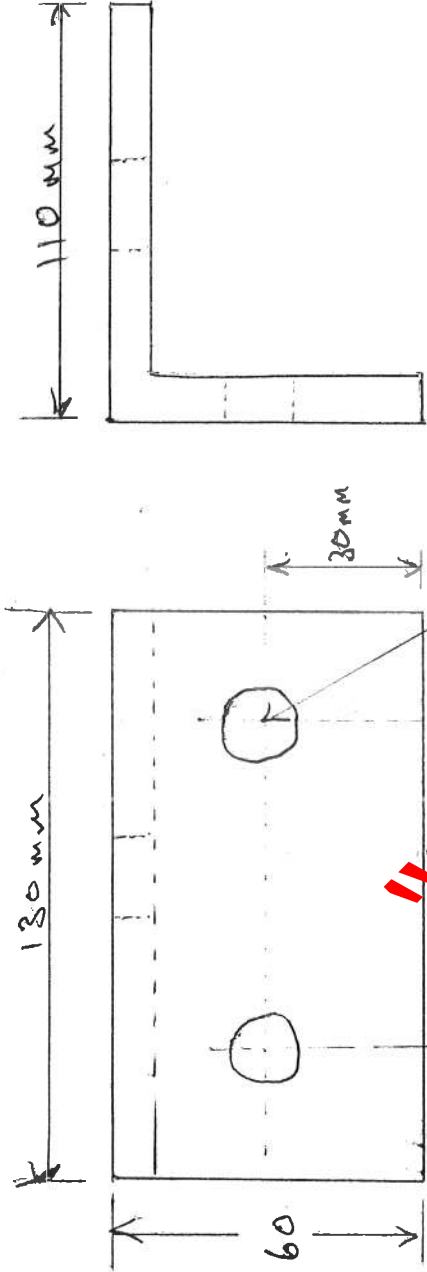
"PREVIEW COPY ONLY"



ITEM 2

MATERIAL: STAINLESS STEEL ROUND BAR
Dia 12 M X 285 LANGE.

ANGLE.



"PREVIEW COPY ONLY"

MATERIAL: 3C R 12 8mm THK.