



Transnet SOC Limited
Transnet RME

REQUEST FOR QUOTATION

BOARD LIST TFR RME
TRANSNET FREIGHT RAIL - RME
PROCUREMENT DEPARTMENT
2000

Registration Number: 1990/000900/06
Vat Number : 4720103177

Attention:

Telephone Number :
Fax Number :
Vendor Number :2004815

Quotation Deadline Date : 28.05.2014
Quotation Deadline Time : 16H00

REQUEST for QUOTATION

Transnet RME

RFQ Number / Date

6000197886 / 21.05.2014

Contact Person / Telephone

Anne Mongie / 031 361 1759

Return to VAX Number/EMAIL

0318300001 / TCPtendersDurban@Transnet.net

Item	Material	Description	RFQ Qty	UoM	Required Del date	Confirm Del date	Unit Price Excl	Total Price Excl
00010		PIVOT FITTING - BOTTOM	470	ea	25.06.2014			
		PIVOT FITTING - BOTTOM MAST BRKT SCL UC,CEE-TMFB-139,TMHC-95,TMFB-140						
00020		OPERATING HANDLE MOUNT	20	ea	25.06.2014			
		OPERATING HANDLE MOUNT ASS TS UC MAST,CEE-TMFB-143						
00030		BOOM A/PLATE100mm 18-2	30	ea	25.06.2014			
		BOOM A/PLATE100mm 18-23,CEE-TNE-35						

"PREVIEW COPY ONLY"



Transnet SOC Limited
Transnet RME
 BOARD LIST TFR RME
 TRANSNET FREIGHT RAIL - RME
 PROCUREMENT DEPARTMENT
 2000
 YOUR VAT NUMBER WITH US: NOT

REQUEST FOR QUOTATION

Registration Number: 1990/000900/06
Vat Number : 4720103177

Attention:

 Telephone Number :
 Fax Number :
 Vendor Number :2004815

Quotation Deadline Date : 28.05.2014
Quotation Deadline Time : 16H00

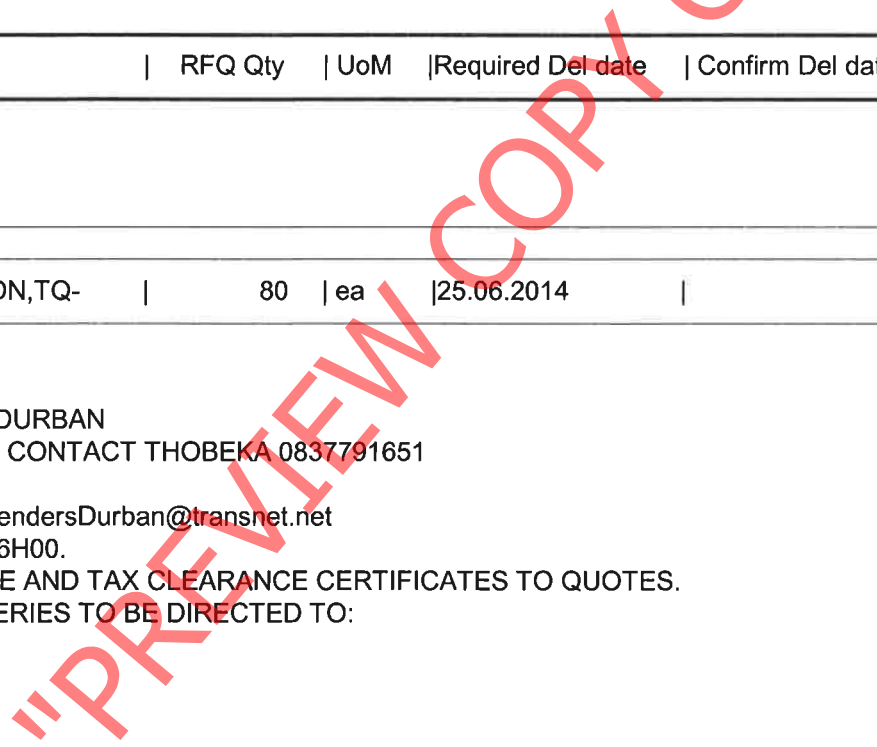
REQUEST for QUOTATION
 Transnet RME
RFQ Number / Date
 6000197886 / 21.05.2014
Contact Person / Telephone
 Anne Mongie / 031 361 1759
Return to VAX Number/EMAIL
 0318300001 / TCPtendersDurban@Transnet.net

Item	Material	Description	RFQ Qty	UoM	Required Del date	Confirm Del date	Unit Price Excl	Total Price Excl
00040		RING RETAIN U/C FDN,TQ-	80	ea	25.06.2014			

RING RETAIN U/C FDN,TQ-48

DELIVERY : 130 EEL RD BAYHEAD DURBAN
 FOR MORE INFORMATION PLEASE CONTACT THOBEKA 0837791651

QUOTES MUST BE SENT TO : TCPtendersDurban@transnet.net
 CLOSING DATE : 28 MAY 2014 AT 16H00.
 PLEASE ATTACH COPIES OF BBBEE AND TAX CLEARANCE CERTIFICATES TO QUOTES.
 ALL PROCUREMENT RELATED QUERIES TO BE DIRECTED TO:
 ANNE MONGIE : 031 361 1759
 E-MAIL : anne.mongie@transnet.net





Transnet SOC Limited
Transnet RME
 BOARD LIST TFR RME
 TRANSNET FREIGHT RAIL - RME
 PROCUREMENT DEPARTMENT
 2000
 YOUR VAT NUMBER WITH US: NOT

REQUEST FOR QUOTATION

Registration Number: 1990/000900/06
Vat Number : 4720103177

Attention:

Telephone Number :
 Fax Number :
 Vendor Number :2004815

Quotation Deadline Date : 28.05.2014
Quotation Deadline Time : 16H00

REQUEST for QUOTATION
 Transnet RME
RFQ Number / Date
 6000197886 / 21.05.2014
Contact Person / Telephone
 Anne Mongie / 031 361 1759
Return to VAX Number/EMAIL
 0318300001 / TCPtendersDurban@Transnet.net

Delivery Address
 TFR RME Durban
 100 Eel Road
 Bayhead, Durban
 4001

This RFQ is subject to the following conditions:

1. Price/s : The price/s quoted in SA currency and is excluding of V.A.T
2. Delivery : The price/s quoted should include delivery cost to the delivery address stated on the RFQ
3. Returnables : A valid tax clearance certificate and BBBEE certificate from a SANAS accredited verification agency attached to quotation for all quotes above R30 000.
 Please note that only the official Transnet RFQ will be accepted and all other correspondence to be attached to the original
4. Safety : To confirm to Transnet Capital Projects Health & Safety plan and specification; HAS-std-0001, copy available on request.
5. Confirmation: To confirm your participation in this tender process please sign and return this document as immediate effect prior to the quotation deadline.
6. Negotiations: The Employer may elect to negotiate the final terms of the contract/order with the preferred tenderer in accordance with Clauses F.2.17 and F.3.13 of the CIDB Standard Conditions of Tender. A copy of which is available upon request.

Signature _____

Date _____

"PREVENTED COPY ONLY"

ITEM	DESCRIPTION	QTY	STORES ITEM NO	DRG NO CEE	AMENDMENTS		
					NO	NAME	DATE
1	PLATE, BRACKET	11/12546	1	TMHF-172	1	JVT	97-04-07
2	CHANNEL, SUPPORT	11/14683	1	TMHC-95			

FINISH
ZINC COAT TO SABS 763 FOR CONDITIONS IN SITU.

DO REF: T1/82/124	GEN TOL: LIN± 0,5 ANG± 0,5°	PIVOT FITTING BRACKET CANTILEVER STRUT (BOLT ADAPTOR) UNIVERSAL COLUMN	
DRN: L. MARAIS	CKD:H.v. VUUREN DATE: 83-11-11		
ENG: R.B.	PPL C for CHIEF ENG		

INFRASTRUCTURE (ELECTRICAL)

DRG NO CEE- TMFB-139	SHT — OF —
--------------------------------	------------

T0001006

3

Δ

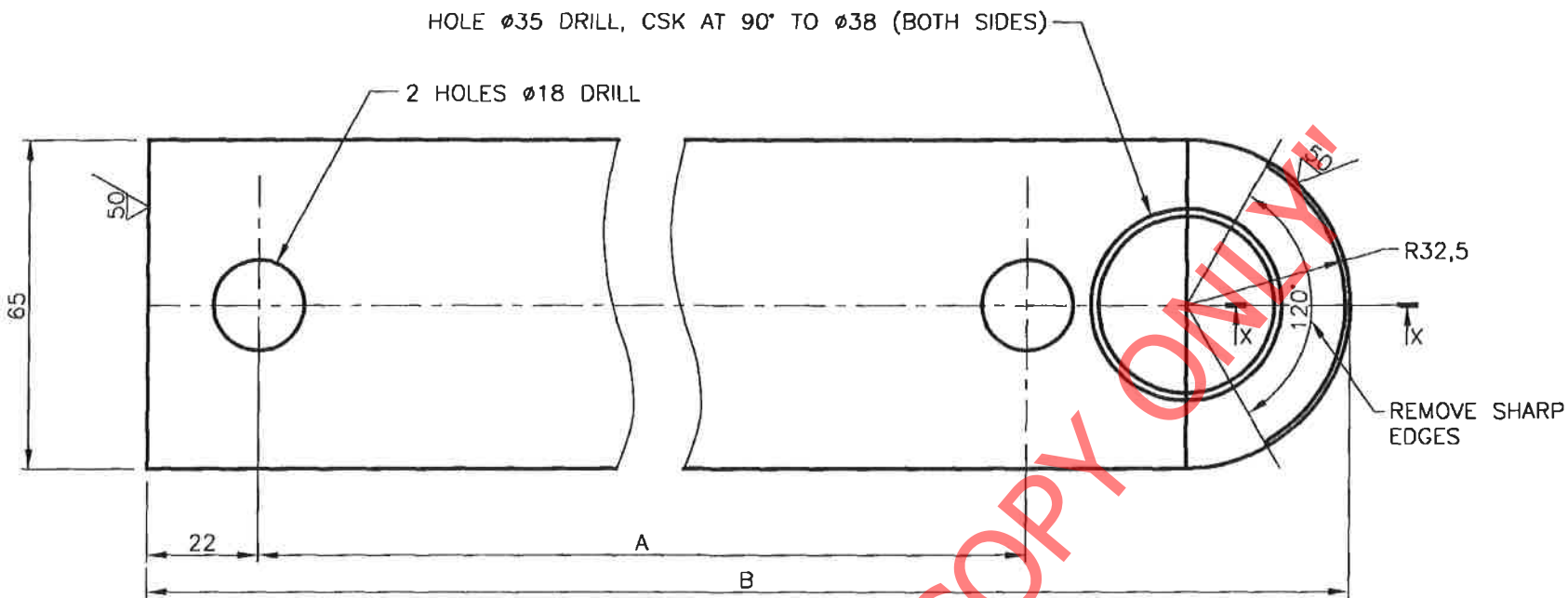
4



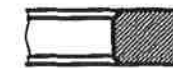
4

Δ

3



BOOM SIZE	DIMENSION A	DIMENSION B	STORES ITEM NO
100 x 50	120	206	54/1609
127 x 64	145	231	54/1610
140 x 60	158	244	_____
152 x 76	170	256	54/1622
180 x 70	198	284	_____



SECTION X-X

FINISH
ZINC COAT TO SPEC. SABS 763 FOR CONDITIONS IN SITU

AMENDMENTS		
NO	NAME	DATE
1	J v DYK	2000-10-30

REDRAWN. DRG NO WAS
CEE-TMHF-46
DO REF T95/067

MATERIAL: ITEM NO 11/12393 STEEL, FLAT 65 x 10 THK

DO REF: J17/68	GEN TOL: LIN± 0,5	ANG± 1°
DRN: L NAUDE	CKD:E F JURGENSEN	DATE: 68-03-13
ENG: D M McCARTHY	W PHILLIPS	for CHIEF ENG

INFRASTRUCTURE
(ELECTRICAL)



ADAPTER PLATE FOR BOOMS CATENARY SUSPENSION

DIMENSIONS: mm
SCALE: 1:1



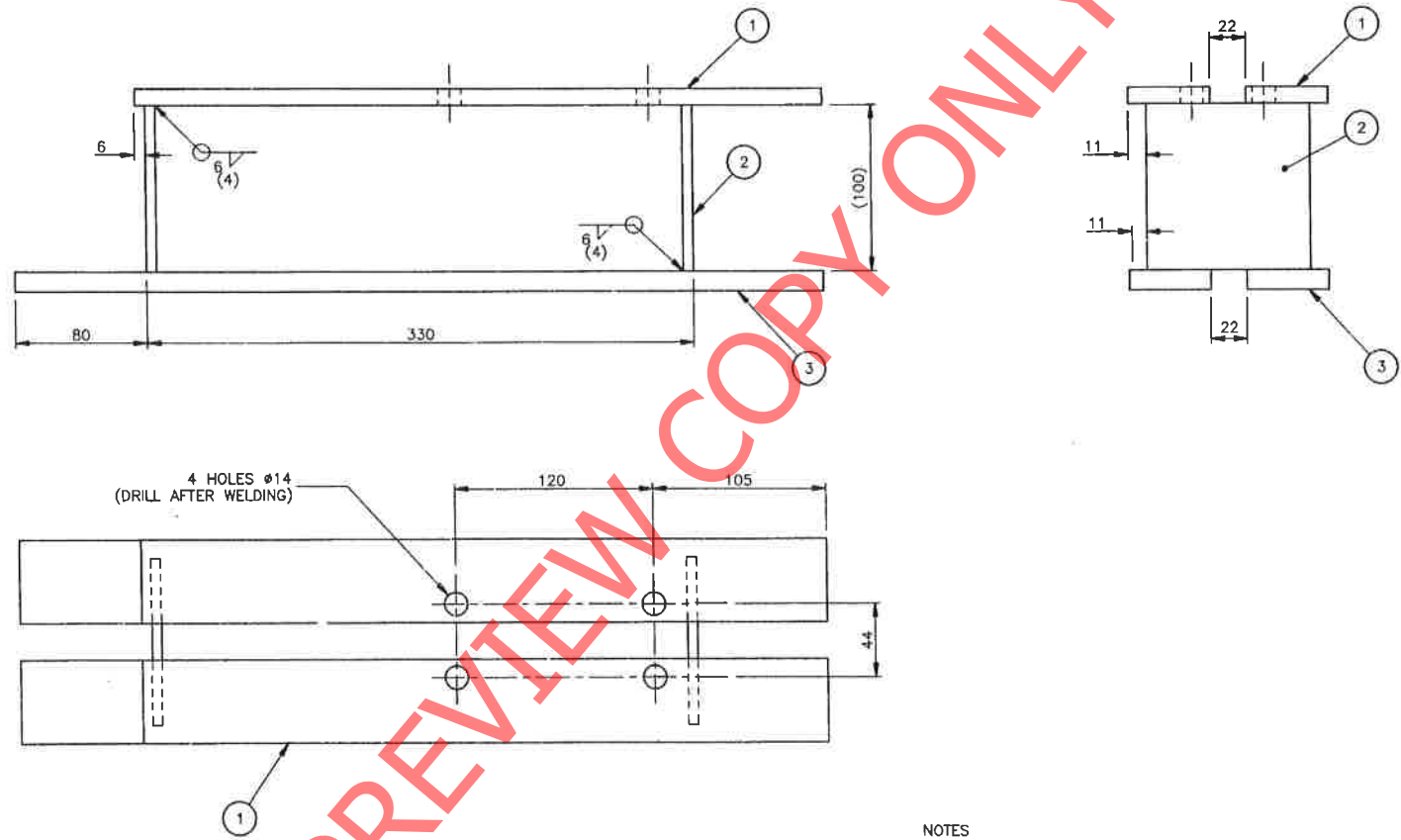
DRAWING NO CEE-
TNE-35

SHEET — OF —

ITEM	DESCRIPTION	QTY	STORES ITEM NO	DRG NO CEE-
1	STEEL, FLAT, 50 x 10 THK x 415 LG	2	11/12381	
2	STEEL, FLAT, 100 x 6 THK x 100 LG	2	11/12319	
3	STEEL, FLAT, 50 x 12 THK x 490 LG	2	11/12509	

AMENDMENTS		
NO	NAME	DATE
1	E WOOD	86-08-01

REDRAWN. DRG NO WAS CEE-TMF-298.
DO REF T96/009



"PREVIEW COPY ONLY"

- NOTES
1. WELDING TO CONFORM TO BS 5135.
 2. ZINC COAT TO SABS 763 FOR CONDITIONS IN SITU.

DIMENSIONS: mm	
SCALE: 1:2	
	A2
DRAWING NO CEE-	
TMFB-143	
SHEET - OF -	

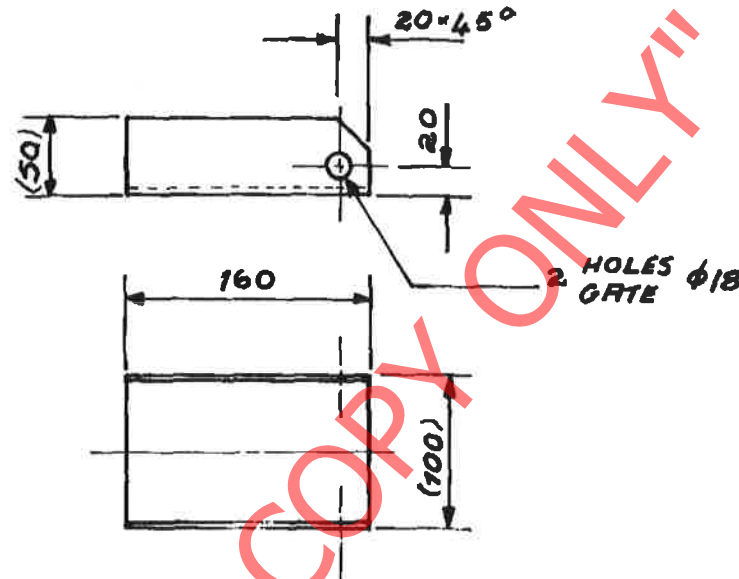
DO REF: Y77/16	GEN TOL: LIN± 1	ANG±
DRN: B GORDON	CKD: J JACKSON	DATE: 79-06-06
ENG:	GA WILLIAMS for CHIEF ENG	
INFRASTRUCTURE (ELECTRICAL)		

OPERATING HANDLE MOUNTING ASSEMBLY
SWITCH STRUCTURES
UNIVERSAL COLUMNS

1000107

AMENDMENTS
WYSIGINGS

NO	NAME NAAM	DATE DATUM



DIMENSIONS MILLIMETRES
AFMETINGS MILLIMETER

MATERIAL - MATERIAAL

STEEL, CHANNEL 100x50x10, 6 kg/m x 160 L.
STAAL, KANAAL

SPEC. CME9 SYM. 8
SPES. CME9 SIM.

STORES ITEM NO (M) 11/14623
MAGASYNITEM.



DRN: L. MARRIS.
GET.

GEN TOLERANCES LIN ± 0,5
ALG TOLERANSIES ANG/HOEK ± 0°30'

TRCD M. NORTJÉ.
NGT.

D. REF. 11/82/124
TK-VERW. IR R. B. for ns

CKD. H. v. VUUREN
NGS.

DATE 83-11-11
DATUM for ns

CHIEF ELECTRICAL ENGINEER JOHANNESBURG
ELEKTRIESE HOOFINGENIEUR

SOUTH AFRICAN TRANSPORT SERVICES
SUID-AFRIKAANSE VERVOERDIENSTE

CHANNEL, SUPPORT.

PIVOT FITTING BRACKET.

KANAAL, STEUN.

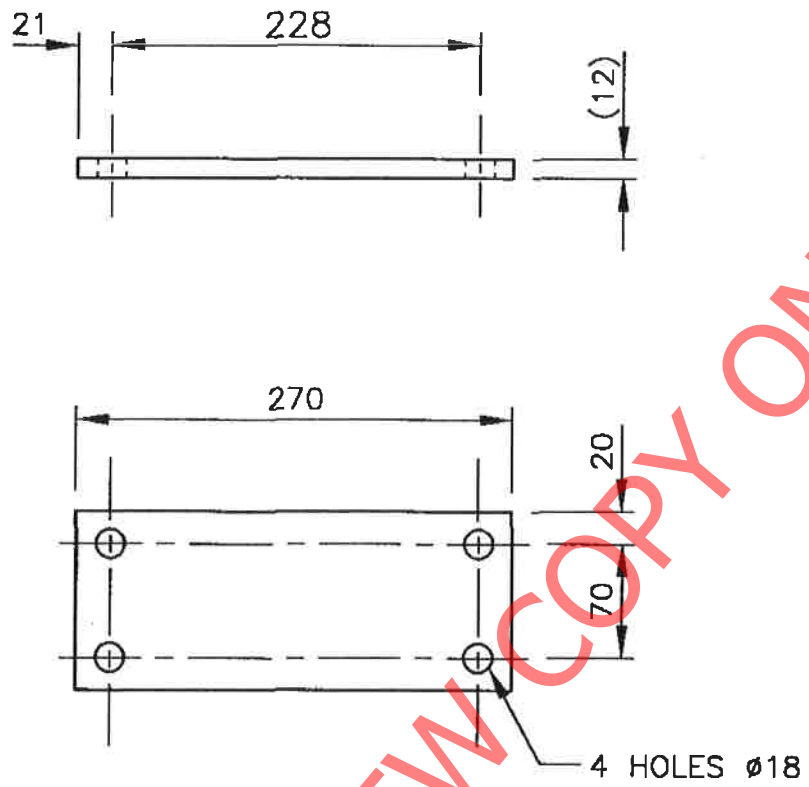
SPILHEGSTUKSTEUN.

CEE-1MF-479

ASSY DRG
SAMEST-TEK

DRAWING NO. CEE-
TEKENING

TMHC-95



AMENDMENTS		
NO	NAME	DATE
1	MM	95-02-26

REVISED, DRG NO WAS CEE--TMHF-172 DO REF: T96/001

DIMENSIONS: mm
SCALE: 1:5

MATERIAL: ITEM NO 11/12546 STEEL, FLAT 110 X 12 X 270LG

DO REF: T1/82/124	GEN TOL: LIN± 0,5	ANG± -
DRN: L.MARAIS	CKD:H.v. VUUREN	DATE: 83-11-11
ENG: R.B.	PPL C	for CHIEF ENG

BRACKET PLATE
PIVOT FITTING BRACKET

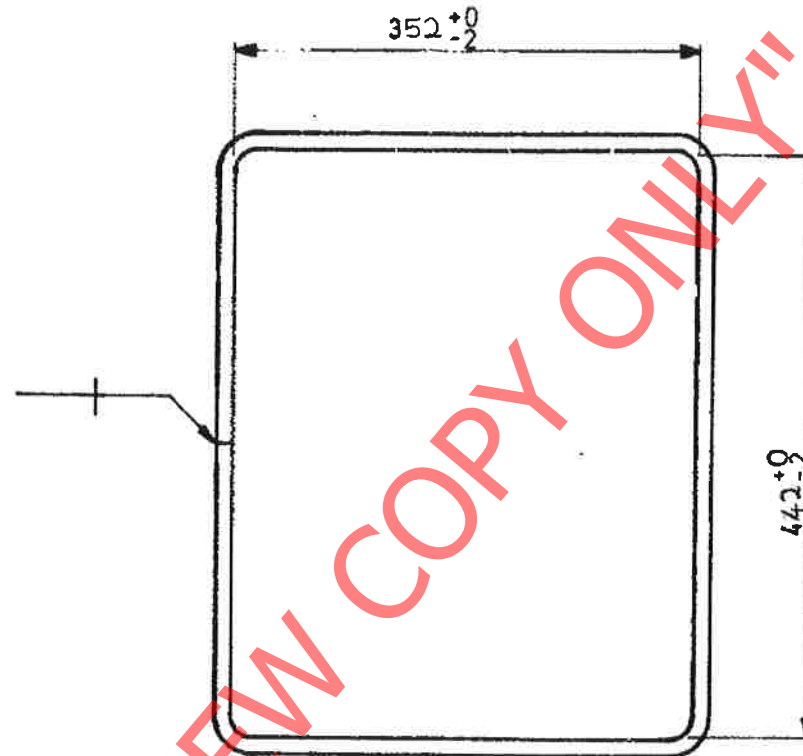
INFRASTRUCTURE
(ELECTRICAL)



DRG NO CEE--
TMFB-140
SHT - OF -

PREVIEW COPY ONLY

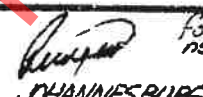
NOTE /OPMERKING
ALL RADII
ALLE RADIUSSE R18.



DIMENSIONS: MILLIMETRES.
AFMETINGS: MILLIMETER.

MATERIAL - MATERIAAL
STEEL, ROUND
STAAL, ROND $\phi 12 \times 1547L$
SPEC. SYM. 7
SPES. CME 9 SIM.
STORES ITEM
MAGASYN ITEM NO. (M) 11/2740

SOUTH AFRICAN TRANSPORT SERVICES.
SUID-AFRIKAANSE VERVOERDIENSTE.

DRN. / VERMEULEN. GET.	GEN. TOLERANCES: UN. ALG. TOLERANSIES: ANG. HOEK.
TRCD. NGT. / VERMEULEN.	D.O. REF. T.K. VERM. T2/80/15 ENG. IK.
CKD. NGT. B Steuart.	DATE LHIZUM. 80-11-03
CHIEF ELECTRICAL ENGINEER ELEKTRIESE HOOFINGENIEUR	
 JOHANNESBURG.	

RING, RETAINING:
FOUNDATION BOLT GROUP
I MASTS AND UNIVERSAL COLUMNS
RING, KEER.-
FONDAMENTBOUTGROEP
I MASTE EN UNIVERSELE KOLOMME

AMENDMENTS. WYSGINGS.		
NO.	NAME. NAAM.	DATE. DATUM.

CEE-TQ-25
ASSY. DRG. / SAMEST. TEK.
MODULUS ITEM NO.

PREVIOUS
VORIGE ITEM NO.

DRAWING NO. CEE-
TEKENING NO. CEE-
TQ-48