



Transnet SOC Limited
Transnet RME

REQUEST FOR QUOTATION

BOARD LIST TFR RME
 TRANSNET FREIGHT RAIL - RME
 PROCUREMENT DEPARTMENT
 2000

Registration Number: 1990/000900/06
Vat Number : 4720103177

Attention:
 TFR Official Tender Board.
 Telephone Number :
 Fax Number :
 Vendor Number :2004815

Quotation Deadline Date : 13.03.2014
Quotation Deadline Time : 12:00

REQUEST for QUOTATION
 Transnet RME
RFQ Number / Date
 6000190670 / 04.03.2014
Contact Person / Telephone
 Eddie Quinn / 035 905 3664
Return to VAX Number/EMAIL
 0865159978 / TCPtendersRichardsBay@Transnet.net

Item	Material	Description	RFQ Qty	UoM	Required Del date	Confirm Del date	Unit Price Excl	Total Price Excl
00010		Transet Equipment Shelt	1	ea	25.04.2014			

Supply, Deliver & Offload, 1 x Transnet Equipment Shelter, Complete with Safe Door, to Transnet Specifications, Please refer to the attached Drawing EAO8922A01. (Shelter used to Safeguard Signaling Instruments and Equipment, next to the Rail Lines.)
 Deliver to: 1 Morris Road - Empangeni Rail - OHTE Store.
 Contact: Mr Pierre Crocker Tel: 083 279 0431 / 035-905 3638.

Transnet Limited t/a Transnet Freight Rail (R.M.E.) # Richards Bay, hereby invite your company to submit a detailed quotation for:

The Supply, Deliver & Offload, 1 x Transnet Equipment Shelter, Complete with Safe Door, to Transnet Specifications, Please refer to the attached Drawing EAO8922A01. (Shelter used to Safeguard Signaling Instruments and Equipment, next to the Rail Lines.)
 Deliver to: 1 Morris Road, Empangeni Rail, OHTE Store.

All technical queries relating to this invitation may be addressed to;
 Mr. Pierre Crocker Tel: 083 279 0437 / 035-905 3638.

All tender related queries pertaining to this invitation may be addressed to;
 Mr. Eddie Quinn, Tel: 035 # 905 3664.



REQUEST FOR QUOTATION

Transnet SOC Limited
 Transnet RME
 BOARD LIST TFR RME
 TRANSNET FREIGHT RAIL - RME
 PROCUREMENT DEPARTMENT
 2000
 YOUR VAT NUMBER WITH US: NOT

Registration Number: 1990/000900/06
 Vat Number : 4720103177

Attention:

TFR Official Tender Board.
 Telephone Number :
 Fax Number :
 Vendor Number :2004815

Quotation Deadline Date : 13.03.2014
Quotation Deadline Time : 12:00

REQUEST for QUOTATION

Transnet RME

RFQ Number / Date

6000190670 / 04.03.2014

Contact Person / Telephone

Eddie Quinn / 035 905 3664

Return to VAX Number/EMAIL

0865159978 / TCPtendersRichardsBay@Transnet.net

Item	Material	Description	RFQ Qty	UoM	Required Del date	Confirm Del date	Unit Price Excl	Total Price Excl
------	----------	-------------	---------	-----	-------------------	------------------	-----------------	------------------

The closing time for receipt of your official quotations is 12:00 hours on Thursday, 13 March 2014.

Transnet desires a validity period of 90 (Ninety) days from the closing date of this RFQ.

Telephonic and late quotes will not be accepted.

All quotations should be clearly marked, and may be forwarded to:

Me Yogeshnie Gengan, Tender & Fax Assistant,

Fax No: 086 515 9978 and / or

e-mailed to: TCPtendersRichardsBay@transnet.net

The contractor's address and identification details have to be shown on each quotation submitted.

Please submit the following documents with your quotation;

- Valid Tax Clearance certificate.
- Copy of your latest B.B.B.E.E. Certificate.

Failing to submit any of the documents mentioned above, could result in your quotation to be disqualified / not accepted.

Note: #Transnet may not necessarily accept the lowest or any other offer and reserves the right to select in its favor any or, a portion of any offer made"

If you have been contacted directly by the Supply Chain Office (Via a RFQ.), and you are unable to quote for these items, please submit a NO QUOTE.

Otherwise we look forward to receive your detailed quote by the date and time stated.



Transnet SOC Limited
 Transnet RME
 BOARD LIST TFR RME
 TRANSNET FREIGHT RAIL - RME
 PROCUREMENT DEPARTMENT
 2000
 YOUR VAT NUMBER WITH US: NOT

REQUEST FOR QUOTATION

Registration Number: 1990/000900/06
 Vat Number : 4720103177

Attention:
 TFR Official Tender Board.
 Telephone Number :
 Fax Number :
 Vendor Number :2004815

Quotation Deadline Date : 13.03.2014
Quotation Deadline Time : 12:00

REQUEST for QUOTATION
 Transnet RME
RFQ Number / Date
 6000190670 / 04.03.2014
Contact Person / Telephone
 Eddie Quinn / 035 905 3664
Return to VAX Number/EMAIL
 0865159978 / TCPtendersRichardsBay@Transnet.net

Item	Material	Description	RFQ Qty	UoM	Required Del date	Confirm Del date	Unit Price Excl	Total Price Excl
------	----------	-------------	---------	-----	-------------------	------------------	-----------------	------------------

Yours faithfully,

"PREVIEW ONLY COPY"



Transnet SOC Limited
Transnet RME
 BOARD LIST TFR RME
 TRANSNET FREIGHT RAIL - RME
 PROCUREMENT DEPARTMENT
 2000
 YOUR VAT NUMBER WITH US: NOT

REQUEST FOR QUOTATION

Registration Number: 1990/000900/06
Vat Number : 4720103177

Attention:

TFR Official Tender Board.
 Telephone Number :
 Fax Number :
 Vendor Number :2004815

Quotation Deadline Date : 13.03.2014
Quotation Deadline Time : 12:00

REQUEST for QUOTATION

Transnet RME

RFQ Number / Date

6000190670 / 04.03.2014

Contact Person / Telephone

Eddie Quinn / 035 905 3664

Return to VAX Number/EMAIL

0865159978 / TCPtendersRichardsBay@Transnet.net

Delivery Address

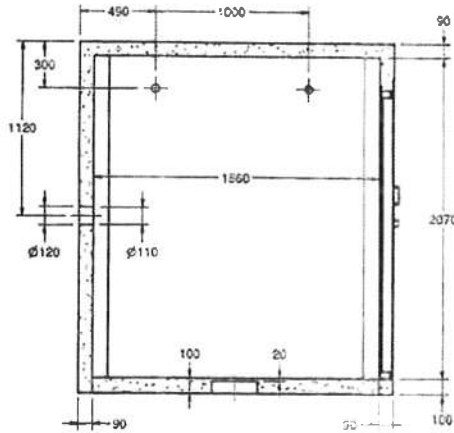
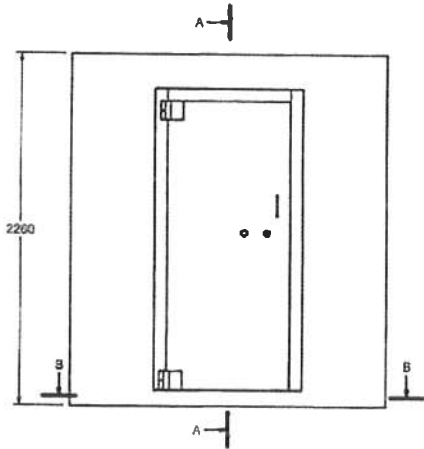
TFR RME Richards Bay
 Old Naval Base, Commodores Clo
 Meerensee, Richards Bay
 3900

This RFQ is subject to the following conditions:

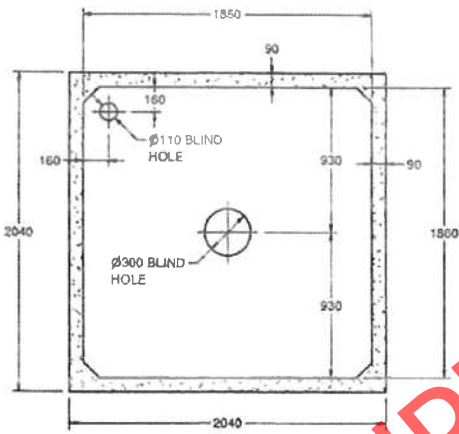
1. Price/s : The price/s quoted in SA currency and is excluding of V.A.T
2. Delivery : The price/s quoted should include delivery cost to the delivery address stated on the RFQ
3. Returnables : A valid tax clearance certificate and BBBEE certificate from a SANAS accredited verification agency attached to quotation for all quotes above R30 000.
Please note that only the official Transnet RFQ will be accepted and all other correspondence to be attached to the original
4. Safety : To confirm to Transnet Capital Projects Health & Safety plan and specification; HAS-std-0001, copy available on request.
5. Confirmation: To confirm your participation in this tender process please sign and return this document as immediate effect prior to the quotation deadline.
6. Negotiations: The Employer may elect to negotiate the final terms of the contract/order with the preferred tenderer in accordance with Clauses F.2.17 and F.3.13 of the CIDB Standard Conditions of Tender. A copy of which is available upon request.

 Signature

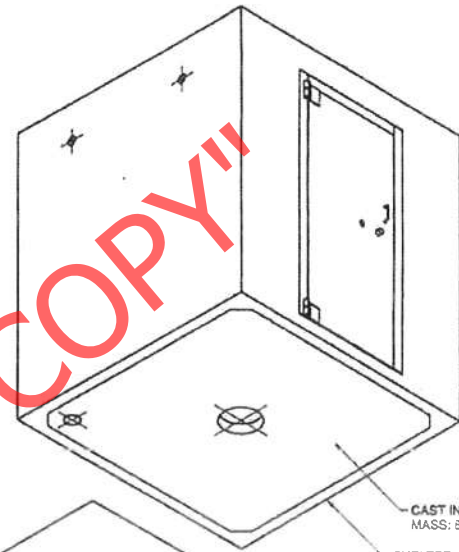
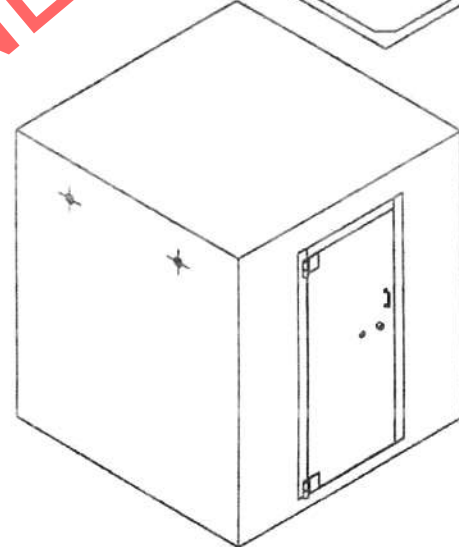
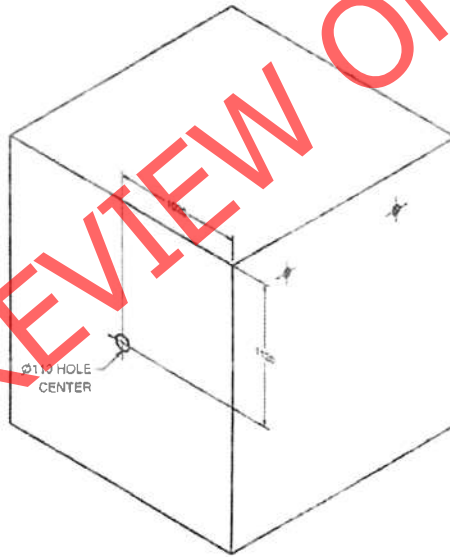
 Date



SECTION A-A



SECTION B-B



CAST IN BASE CONCRETE
MASS: 371 kg.
SHELTER UNIT CONCRETE
MASS: 4650 kg.

"PREVIEW ONLY COPY"

This drawing is private and confidential and is supplied on the express condition that it is not to be used for any purpose or copied or communicated to any person without the permission of HOCLA (Pty) Limited.
Hierdie tekening is streng vertroulik en word verskaf op die uitdruklike voorwaarde dat dit nie gebruik mag word of gekopieer word of aan enige persoon inbegreep word sonder die toestemming van ROCLA (Edms) Beperk v.o.

DO NOT SCALE WHEN IN DOUBT ASK

MACHINING MARKS (C.I.A. MICROMETER SYSTEM)	
12 POLISHING	12 BUCHHEIM
14 FINE GRINDING	13 FINE MACHINING
15 GRINDING, SMOOTH MACHINING	13 ROUGH MACHINING
16 FINISHING, VARIATION ON SIZES WITHOUT TOLERANCES	13 FLAME CUTTING

A	2010/08/18	ORIGINAL ISSUE	S. Venter	
NO	DATE	AMENDMENTS	DRAWN	APPROVED
				Scale
				Orig. Size
				A2
				Referency
DRAWING No:		EA08922A01	SHEET	1 OF 1

TRANSNET EQUIPMENT SHELTER