



Transnet SOC Limited
Transnet RME

REQUEST FOR QUOTATION

BOARD LIST TFR RME
TRANSNET FREIGHT RAIL - RME
PROCUREMENT DEPARTMENT
2000

Registration Number: 1990/000900/06
Vat Number : 4720103177

Attention:
Telephone Number :
Fax Number :
Vendor Number :2004815

REQUEST for QUOTATION
Transnet RME
RFQ Number / Date
6000184395 / 05.12.2013
Contact Person / Telephone
Eddie Quinn / 035 905 3664
Return to VAX Number/EMAIL
~~0865159978 / TCPtendersRichardsBay@Transnet.net~~

Quotation Deadline Date : 17.12.2013
Quotation Deadline Time : 12:00

N.B.

PLEASE ONLY RESPOND / QUOTE TO:

The Chairman of the Acquisition Council;
Fax: 011 – 774 9760 or 774 9129 or 774 9186.

| Item | Material | Description | RFQ Qty | UoM | Required Del date | Confirm Del date | Unit Price Excl | Total Price Excl |
|--|----------|-------------------------|---------|-----|-------------------|------------------|-----------------|------------------|
| 00010 | | Lighting Protection Dev | 22 | ea | 20.01.2014 | | | |
| Manufacture, Deliver & Offload, 22 x Lighting Protection Devices, as per the attached Drawing No: BBF9678. Deliver to: TFR (RME) Main Office - Old Naval Base - Meerensee. Site Contact: Mr Koos Diedericks Tel: 083 447 6805. Contract Manager: Mr Pierre Crocker Tel: 035-905 3638 / 083 279 0437. | | | | | | | | |
| 00020 | | Backstrap as per Drg. C | 22 | ea | 20.01.2014 | | | |
| Manufacture, Deliver & Offload, 22 x Back Straps, as per the attached Drawing No: CEE-TMFB-44. Deliver to: TFR (RME) Main Office - Old Naval Base - Meerensee - OHTE Store. Site Contact: Mr Koos Diedericks Tel: 083 447 6805. Contract Manager: Mr Pierre Crocker Tel: 035-905 3638 / 083 279 0437. | | | | | | | | |

PREVIEW COPY ONLY

Transnet Limited t/a Transnet Freight Rail (R.M.E.) # Richards Bay, hereby invite your company to submit a detailed quotation for:



REQUEST FOR QUOTATION

Transnet SOC Limited
 Transnet RME
 BOARD LIST TFR RME
 TRANSNET FREIGHT RAIL - RME
 PROCUREMENT DEPARTMENT
 2000
 YOUR VAT NUMBER WITH US:

Registration Number: 1990/000900/06
 Vat Number : 4720103177

Attention:
 Telephone Number :
 Fax Number :
 Vendor Number :2004815

Quotation Deadline Date : 17.12.2013
Quotation Deadline Time : 12:00

REQUEST for QUOTATION
 Transnet RME
RFQ Number / Date
 6000184395 / 05.12.2013
Contact Person / Telephone
 Eddie Quinn / 035 905 3664
Return to VAX Number/EMAIL
 0865159978 / TCPtendersRichardsBay@Transnet.net

| Item | Material | Description | RFQ Qty | UoM | Required Del date | Confirm Del date | Unit Price Excl | Total Price Excl |
|------|----------|-------------|---------|-----|-------------------|------------------|-----------------|------------------|
|------|----------|-------------|---------|-----|-------------------|------------------|-----------------|------------------|

The Supply, Deliver & Offload, Various Lightning Protection Fabricated Items.
 Deliver to: TFR (RME) Main Office - Old Naval Base - Meerensee - OHTE Store.
 Site Contact: Mr Koos Diedericks Tel: 083 447 6805.

All technical queries relating to this invitation may be addressed to,
 Mr. Pierre Crocker Tel: 035-905 3638 / 083 279 0437.

All tender related queries pertaining to this invitation may be addressed to;
 Mr. Eddie Quinn, Tel: 035 # 905 3664.

The closing time for receipt of your official quotations is 12:00 hours on Wednesday, ¹⁷~~16~~ December 2013.

Telephonic and late quotes will not be accepted.
 All quotations should be clearly marked, and forwarded to:

- The Chairman of the Acquisition Council.
 Fax numbers: 011-774 9760, 011-774 9129 or 011-774 9186,
 or
- Transnet Freight Rail (RME)
 The Chairman of the Acquisition Council
 Inyanda House 1
 21 Wellington Rd
 Parktown, Gauteng

PREVIEW COPY ONLY

CLOSING @ 12:00 ON 17-12-2013.

E. E. QUINN



REQUEST FOR QUOTATION

Transnet SOC Limited
 Transnet RME
 BOARD LIST TFR RME
 TRANSNET FREIGHT RAIL - RME
 PROCUREMENT DEPARTMENT
 2000
 YOUR VAT NUMBER WITH US:

Registration Number: 1990/000900/06
 Vat Number : 4720103177

Attention:

Telephone Number :
 Fax Number :
 Vendor Number :2004815

Quotation Deadline Date : 17.12.2013
 Quotation Deadline Time : 12:00

REQUEST for QUOTATION

Transnet RME
RFQ Number / Date
 6000184395 / 05.12.2013
Contact Person / Telephone
 Eddie Quinn / 035 905 3664
Return to VAX Number/EMAIL
~~0865159978 / TCPtendersRichardsBay@Transnet.net~~

| Item | Material | Description | RFQ Qty | UoM | Required Del date | Confirm Del date | Unit Price Excl | Total Price Excl |
|------|----------|-------------|---------|-----|-------------------|------------------|-----------------|------------------|
|------|----------|-------------|---------|-----|-------------------|------------------|-----------------|------------------|

The contractor's address and identification details have to be clearly indicated on each quotation submitted.

N.B.

- Please submit the following documents with your quotation;
- Valid Tax Clearance certificate.
 - Copy of your latest B.B.B.E.E. Certificate.

Failing to submit any of the documents mentioned above, could result in your quotation to be disqualified / not accepted. !!!

Note: #Transnet may not necessarily accept the lowest or any other offer and reserves the right to select in its favor any or, a portion of any offer made"

If you have been contacted directly by the Supply Chain Office (Via a RFQ.), and you are unable to quote for these items, please submit a NO QUOTE.

Otherwise we look forward to receive your detailed quote by the date and time stated.

Yours faithfully,

"PREVIEW COPY ONLY"



REQUEST FOR QUOTATION

Transnet SOC Limited
Transnet RME
 BOARD LIST TFR RME
 TRANSNET FREIGHT RAIL - RME
 PROCUREMENT DEPARTMENT
 2000
 YOUR VAT NUMBER WITH US:

Registration Number: 1990/000900/06
Vat Number : 4720103177

Attention:
 Telephone Number :
 Fax Number :
 Vendor Number :2004815

REQUEST for QUOTATION
 Transnet RME
RFQ Number / Date
 6000184395 / 05.12.2013
Contact Person / Telephone
 Eddie Quinn / 035 905 3664
Return to VAX Number/EMAIL
~~0865159978 / TCPtendersRichardsBay@Transnet.net~~

Quotation Deadline Date : 17.12.2013
Quotation Deadline Time : 12:00

N.B.

PLEASE ONLY RESPOND / QUOTE TO:

Delivery Address
 TFR RME Richards Bay
 Old Naval Base, Commodores Clo
 Meerensee, Richards Bay
 3900

The Chairman of the Acquisition Council;
 Fax: 011 – 774 9760 or 774 9129 or 774 9186.

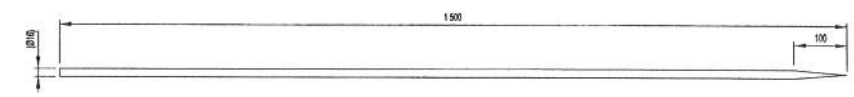
This RFQ is subject to the following conditions:

1. Price/s : The price/s quoted in SA currency and is excluding of V.A.T.
2. Delivery : The price/s quoted should include delivery cost to the delivery address stated on the RFQ
3. Returnables : A valid tax clearance certificate and BBBEE certificate from a SANAS accredited verification agency attached to quotation for all quotes above R30 000.
 Please note that only the official Transnet RFQ will be accepted and all other correspondence to be attached to the original
4. Safety : To confirm to Transnet Capital Projects Health & Safety plan and specification; HAS-std-0001, copy available on request.
5. Confirmation: To confirm your participation in this tender process please sign and return this document as immediate effect prior to the quotation deadline.
6. Negotiations: The Employer may elect to negotiate the final terms of the contract/order with the preferred tenderer in accordance with Clauses F.2.17 and F.3.13 of the CIDB Standard Conditions of Tender. A copy of which is available upon request.

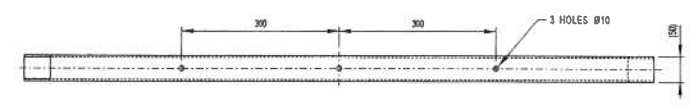
 Signature

 Date

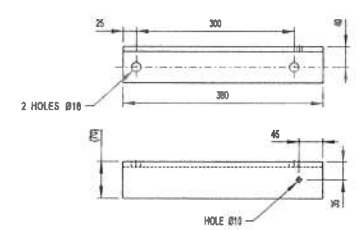
Req: 10361312



ITEM 1



ITEM 2

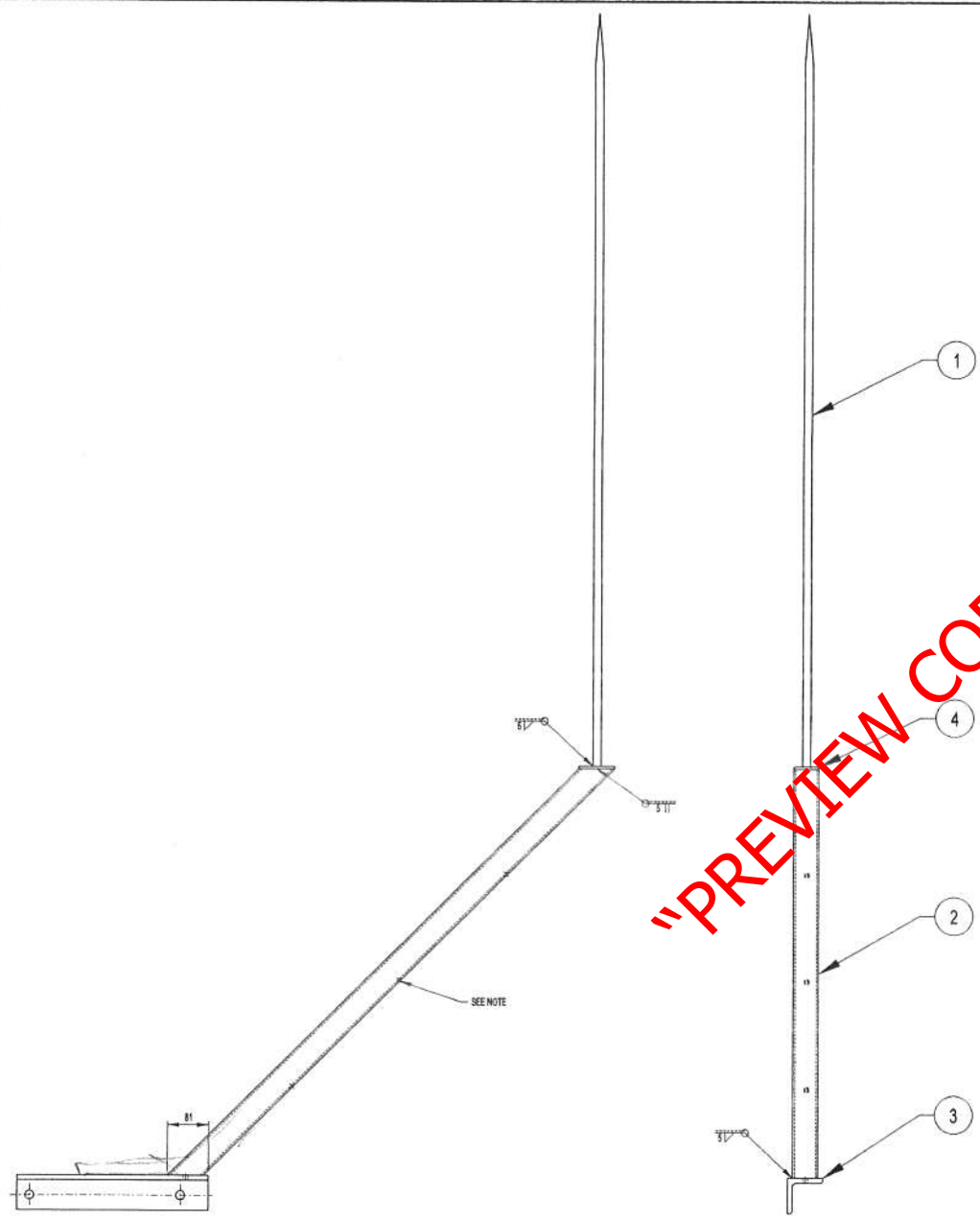


ITEM 3



ITEM 4

"PREVIEW COPY ONLY"



NOTE
ENSURE THAT DRAINAGE HOLES ARE FACING DOWNWARDS BEFORE WELDING.

FINISH
HOT DIP GALVANISE TO SANS 121 AFTER WELDING

© COPYRIGHT PROTECTED. PREPARED BY CENTRAL DRAWING OFFICE

DIMENSIONS : mm SCALE : 1:5
TOLERANCE : LIN ±0.2 ANG ±0.5 ITEM NO : ..
MATERIAL : ..
VERSION INFO : ..

DO REF : C0017922
ECP REF : ..
DRAWN : G L BUCKLE
DESIGNED : S VAN DER MERWE
CHECKED : H VAN VUUREN

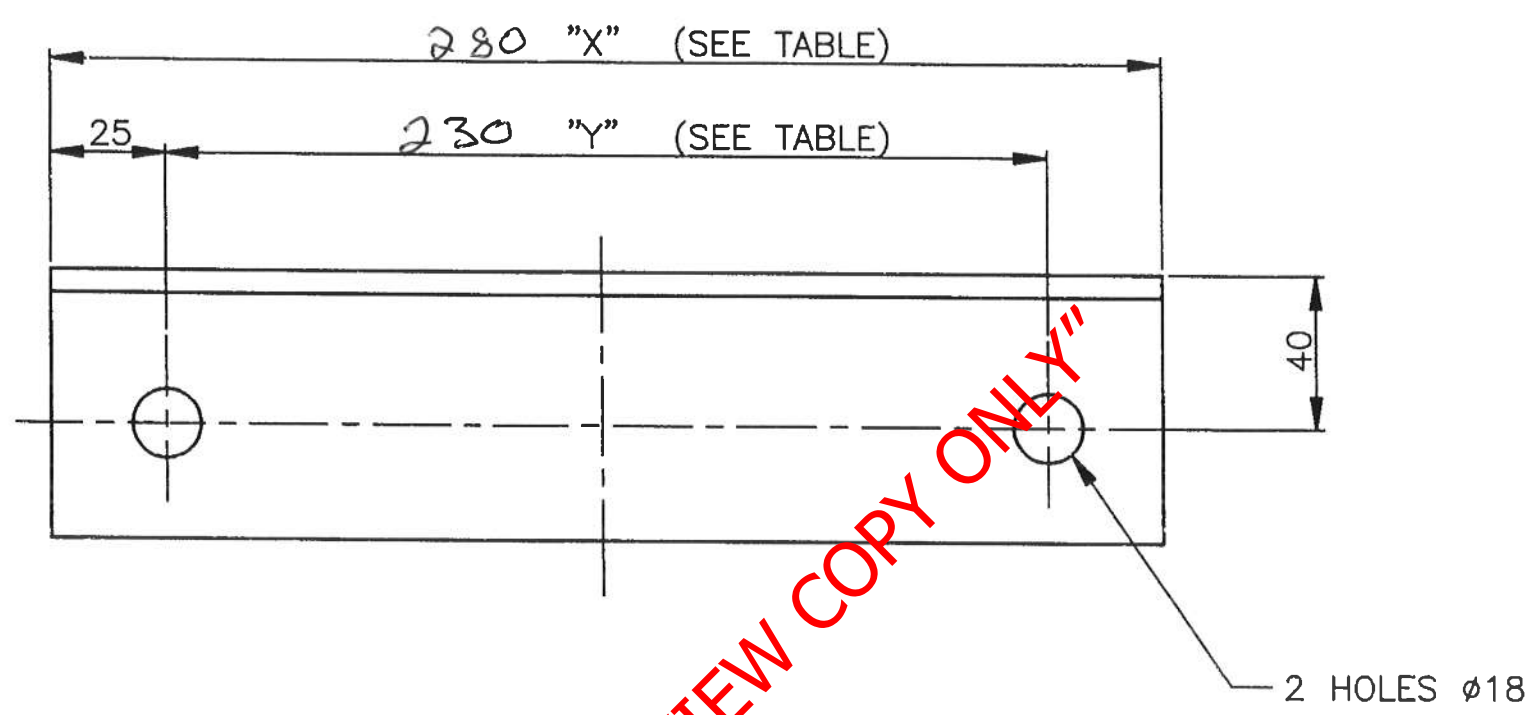
APPROVED
[Signature]
AUTHORISED 03/06/2013

| ITEM NO | DESCRIPTION | QTY | STORES ITEM NO | DRAWING NO |
|---------|--|-----|----------------|------------|
| 4 | FLAT BAR, STEEL, 50 x 5 x 71 LONG | 1 | - | - |
| 3 | ANGLE, STEEL, 70 x 70 x 10 THK x 380 LONG | 1 | - | - |
| 2 | SQUARE TUBING, STEEL, 50 x 50 x 4 THK x 1 200 LONG | 1 | - | - |
| 1 | ROD, STEEL, Ø16 x 1 500 LONG | 1 | - | - |

LIGHTNING PROTECTION DEVICE WELDING ASSEMBLY
CONCRETE MAST

TRANSNET
freight rail
BBF9678
VERSION 1

Rev: 10361313



| AMENDMENTS | | |
|------------|--------------|----------|
| NO | NAME | DATE |
| 1 | J DU PLESSIS | 96-01-25 |

TABLE ADDED.
DO REF: T95/057

| TABLE | DIMENSIONS | |
|---------------------------------------|----------------|----------------|
| APPLICATION | "X" | "Y" |
| CONCRETE MAST (GRINAKER TYPE) | 280 | 230 |
| CONCRETE MAST (ROOLA TYPE) | 300 | 300 |

FINISH:
ZINC COAT TO SPEC SABS 763
FOR CONDITIONS IN SITU

2 HOLES $\phi 18$

~
STORES ITEM NO _____
DIMENSIONS: mm
SCALE: 1:2

MATERIAL: ITEM NO 11/—, STEEL, CHANNEL, 76 X 38 X 6,7 kg/m X "X" LG

| | | |
|----------------|--------------------------|----------------|
| DO REF: T91/11 | GEN TOL: LIN \pm 1 | ANG \pm — |
| DRN: LE WOOD | CKD: — | DATE: 91-11-06 |
| ENG: W BRIGHT | A VERSTEEG for CHIEF ENG | |

BACK STRAP
EARTH WIRE EXTENSION
CONCRETE MAST

A4
 DRG NO **CEE-**
TMFB-44
 SHT — OF —

INFRASTRUCTURE
(ELECTRICAL)



T0000874