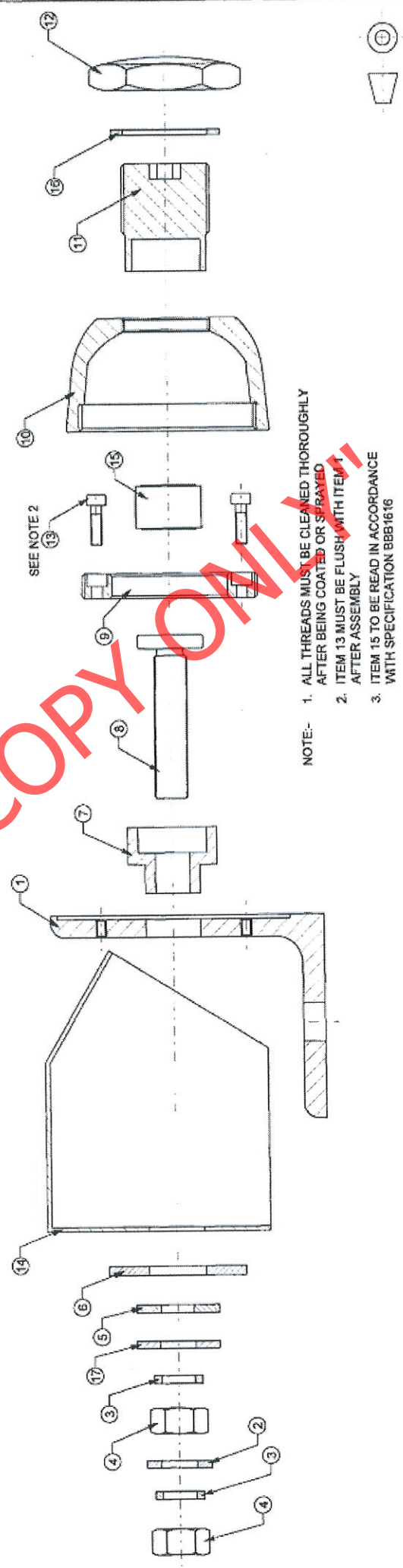
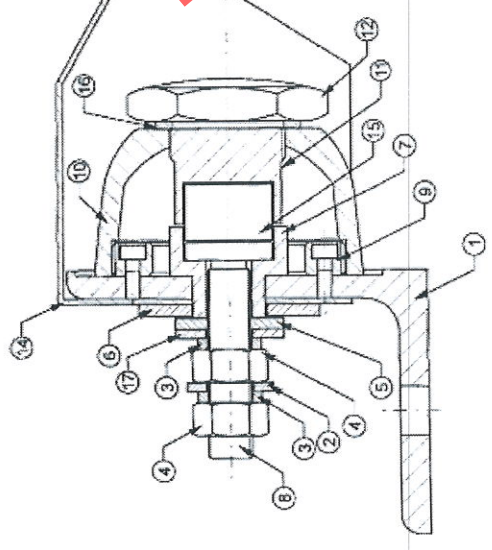


ITEM No.	DESCRIPTION	DRG No.	QTY.
1	MOUNTING BRACKET	BBB0914	1
2	M12 FLAT WASHER, STAINLESS STEEL	-	1
3	M12 SPRING WASHER, STAINLESS STEEL	-	2
4	M12 x 1.75 PITCH STAINLESS STEEL NUT	-	2
5	NEOPRENE SEAL ID 12 x OD 30 x 3 THICK	-	1
6	OUTER INSULATING WASHER	BBB0909	1
7	INSULATING BUSH	BBB0910	1
8	TERMINAL	BBB0908	1
9	COVER LOCATING NUT	BBB0913	1
10	COVER ACCESS	BBB0911	1
11	ADJUSTMENT SCREW	BBB0912	1
12	DOME NUT	BBB2923	1
13	M6 x 9 LONG CAP SCREW (ELECTRO-GALVANISED TO SPEC BS 3382 PART 1 OR 2)	-	4
14	WEATHER COVER	BBB0907	1
15	GAS FILLED SURGE ARRESTER (SEE NOTE 3)	-	1
16	NEOPRENE WASHER OD 40 x ID 31 x 2 THICK	-	1
17	M12 FLAT WASHER, STAINLESS STEEL, OVERSIZE O.D. 30	-	1



NOTE:-

1. ALL THREADS MUST BE CLEANED THOROUGHLY AFTER BEING COATED OR SPRAYED
2. ITEM 13 MUST BE FLUSH WITH ITEM 1 AFTER ASSEMBLY
3. ITEM 15 TO BE READ IN ACCORDANCE WITH SPECIFICATION BBB1616

PREVIEW COPY ONLY

© COPYRIGHT PROTECTED

DIMENSIONS : mm SCALE : NTS

TOLERANCE : LINA - ANG -

MATERIAL : ITEM 2 QTY WAS 2

VERSION INFO : ITEM 17 ADDED

ITEM No : 54031940

DATE : 06/11/2022

DESIGNED : WJ Mans

CHECKED : JD van Dyk

APPROVED

AUTHORISED

CENTRAL DRAWING OFFICE (INFRASTRUCTURE)

SPARK GAP ASSEMBLY

GAS FILLED ARRESTER

BBB0906
VERSION 7