

Transnet SOC Limited
Transnet RME

REQUEST FOR QUOTATION

TFR Official Tender Board.
TFR Tender Board.
Johannesburg.
2000

Registration Number: 1990/000900/06
Vat Number : 4720103177

**Attention:**

TFR Official Tender Board.
Telephone Number :
Fax Number :
Vendor Number :500000

Quotation Deadline Date : 26.11.2013
Quotation Deadline Time : 12:00

REQUEST for QUOTATION

Transnet RME

RFQ Number / Date

6000182233 / 15.11.2013

Contact Person / Telephone

Eddie Quinn / 035 905 3664

Return to VAX Number/EMAIL

0865159978 / TCptendersRichardsBay@Transnet.net

Item	Material	Description	RFQ Qty	UoM	Required Del date	Confirm Del date	Unit Price Excl	Total Price Excl
00010		Weight Tension Device a	31	ea	30.01.2014			
Supply, Deliver & Offload, 31 x Weight Tension Devices, as per the attached Drawing No: CEE-TMF-523, complete with Item: 1 TO 10. Item: 4,5 and 10 to be Stainless. (All items to be Supplied with inspection certificate) Deliver to: 1 Morris Road - Empangeni Rail - OHTE Store. Contact: Mr Pierre Crocker Tel: 083 279 0437 / 035-905 3638.								
00020		Weight 25kg Steel 300mm	1,000	ea	30.01.2014			
Supply, Deliver & Offload, 1000 x Weights, 25kg Steel, 300mm Dia. As per the attached Drawing No: CEE-TMF-189, Sheet: 1, Item 3. (All Supplied with inspection certificate) Deliver to: 1 Morris Road - Empangeni Rail - OHTE Store. Contact: Mr Pierre Crocker Tel: 083 279 0437 / 035-905 3638.								

Transnet Limited t/a Transnet Freight Rail (R.M.E.) # Richards Bay, hereby invite your company to submit a detailed quotation for:



Transnet SOC Limited
Transnet RME
 Company
 TFR Official Tender Board.
 TFR Tender Board.
 Johannesburg.
 2000

REQUEST FOR QUOTATION

Registration Number: 1990/000900/06
Vat Number : 4720103177

Attention:

TFR Official Tender Board.
 Telephone Number :
 Fax Number :
 Vendor Number :500000

Quotation Deadline Date : 26.11.2013
Quotation Deadline Time : 12:00

REQUEST for QUOTATION

Transnet RME
RFQ Number / Date
 6000182233 / 15.11.2013
Contact Person / Telephone
 Eddie Quinn / 035 905 3664
Return to VAX Number/EMAIL
 0865159978 / TCPTendersRichardsBay@Transnet.net

Item	Material	Description	RFQ Qty	UoM	Required Del date	Confirm Del date	Unit Price Excl	Total Price Excl
------	----------	-------------	---------	-----	-------------------	------------------	-----------------	------------------

The Supply, Deliver & Offload, of Weight Tension Divices for OHTE. As per Transnet's specification and Drawings attached. All delivered to Empangeni Rail and Supplied with inspection certificates.

All technical queries relating to this invitation may be addressed to;
 Mr. Pierre Crocker Tel: 083 279 0437 / 035-905 3638.

All tender related queries pertaining to this invitation may be addressed to;
 Mr. Eddie Quinn, Tel: 035 # 905 3664.

The closing time for receipt of your official quotations is 12:00 hours on Thursday, 26 November 2013.

Telephonic and late quotes will not be accepted.

All quotations should be clearly marked, and may be dropped in our tender box, or alternatively forwarded to:

Me Yogeshnie Gengan, Tender & Fax Assistant,
 Fax No: 086 515 9978 and / or
 e-mailed to: TCPTendersRichardsBay@transnet.net

Physical address for delivering quotations, if required, is:

Transnet Capital Projects Richards Bay
 Tender Box in Main Foyer
 Old Naval Base,
 Commodores Close,
 Meerensee,



Transnet SOC Limited
Transnet RME
 Company
 TFR Official Tender Board,
 TFR Tender Board,
 Johannesburg,
 2000

REQUEST FOR QUOTATION

Registration Number: 1990/000900/06
Vat Number : 4720103177

Attention:

TFR Official Tender Board,
 Telephone Number :
 Fax Number :
 Vendor Number :500000

Quotation Deadline Date : 26.11.2013
Quotation Deadline Time : 12:00

REQUEST for QUOTATION

Transnet RME

RFQ Number / Date

6000182233 / 15.11.2013

Contact Person / Telephone

Eddie Quinn / 035 905 3664

Return to VAX Number/EMAIL

0865159978 / TCPtendersRichardsBay@Transnet.net

Item	Material	Description	RFQ Qty	UoM	Required Del date	Confirm Del date	Unit Price Excl	Total Price Excl
------	----------	-------------	---------	-----	-------------------	------------------	-----------------	------------------

The contractor's address and identification details have to be shown on each quotation submitted.

Please supply the following documents with your quotation submitted;

- Valid Tax Clearance certificate.
- Copy of your latest B.B.B.E.E. Certificate.

Failing to submit any of the documents mentioned above, could result in your quotation to be disqualified / not accepted.

Note: #Transnet may not necessarily accept the lowest or any other offer and reserves the right to select in its favor any or, a portion of any offer made"

If you have been contacted directly by the Supply Chain Office (Via a RFQ.), and you are unable to quote for these items, please submit a "NO QUOTE".

Otherwise we look forward to receive your detailed quote by the date and time stated.

Yours faithfully,



Transnet SOC Limited
Transnet RME
 Company
 TFR Official Tender Board,
 TFR Tender Board.
 Johannesburg.
 2000

REQUEST FOR QUOTATION

Registration Number: 1990/000900/06
Vat Number : 4720103177

Attention:

TFR Official Tender Board.
 Telephone Number :
 Fax Number :
 Vendor Number :500000

Quotation Deadline Date : 26.11.2013
Quotation Deadline Time : 12:00

REQUEST for QUOTATION

Transnet RME

RFQ Number / Date

6000182233 / 15.11.2013

Contact Person / Telephone

Eddie Quinn / 035 905 3664

Return to VAX Number/EMAIL

0865159978 / TCPtendersRichardsBay@Transnet.net

Delivery Address

TFR RME Richards Bay
 Old Naval Base, Commodores Clo
 Meerensee, Richards Bay
 3900

This RFQ is subject to the following conditions:

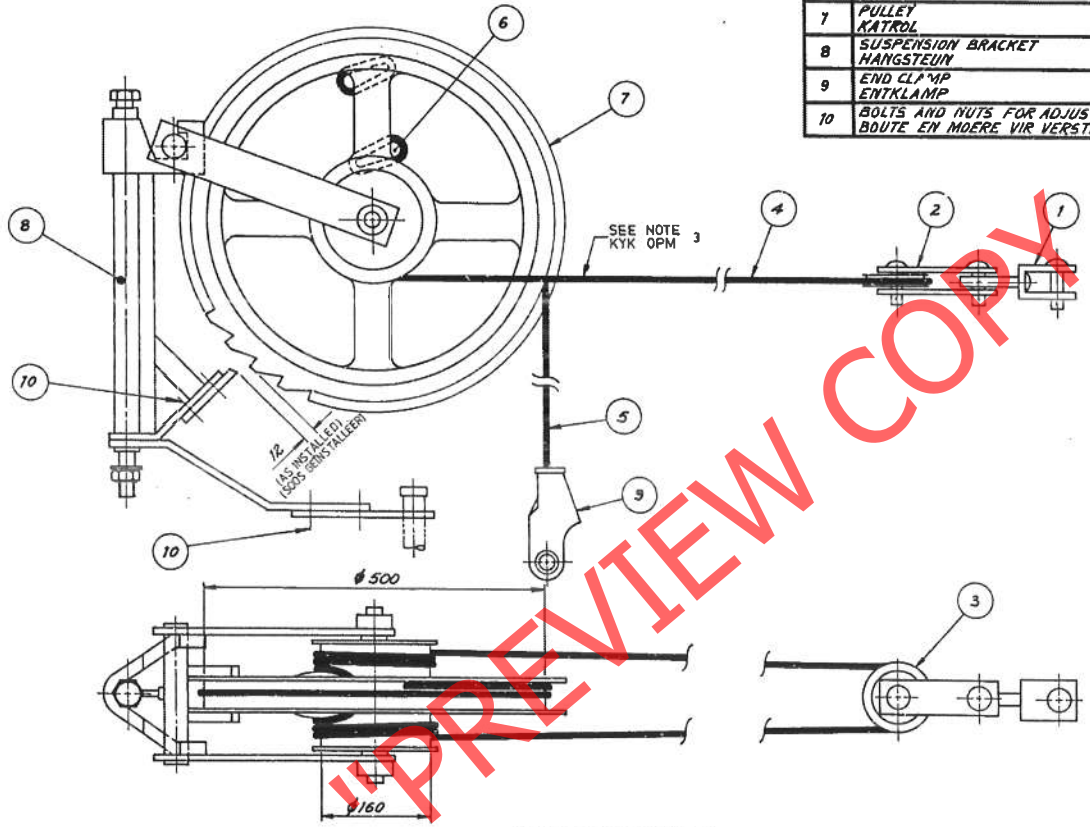
1. Price/s : The price/s quoted in SA currency and is excluding of V.A.T
2. Delivery : The price/s quoted should include delivery cost to the delivery address stated on the RFQ
3. Returnables : A valid tax clearance certificate and BBBEE certificate from a SANAS accredited verification agency attached to quotation for all quotes above R30 000.
Please note that only the official Transnet RFQ will be accepted and all other correspondence to be attached to the original
4. Safety : To confirm to Transnet Capital Projects Health & Safety plan and specification; HAS-std-0001, copy available on request.
5. Confirmation: To confirm your participation in this tender process please sign and return this document as immediate effect prior to the quotation deadline.
6. Negotiations: The Employer may elect to negotiate the final terms of the contract/order with the preferred tenderer in accordance with Clauses F.2.17 and F.3.13 of the CIDB Standard Conditions of Tender. A copy of which is available upon request.

 Signature

 Date

Req: 10354234

ITEM	DESCRIPTION - BESKRYWING	QTY. HVLD.	STORES ITEM MAGASYNITEM	DRAWING NO CEE TEKENING	AMENDMENTS WYSIGINGS		
					NO.	NAME NAAM	DATE DATUM
1	SWIVEL FITTING DRAAIASSTUK	1					
2	LINK PLATES SKAKELSTROKE	2			1		86/12-01
3	PULLEY KATROL $\phi 85$	1					ITEM 4,5 AND NOTE 3 WERE STAINLESS STEEL. ITEM 4,5 EN OPM 3 WAS VLEKVRYE STAAL.
4	GALVANISED STEEL ROPE GEGALVANISEERDE STAALKABEL	1					00 REF T1/85/108.
5	GALVANISED STEEL ROPE GEGALVANISEERDE STAALKABEL	1					TK-VERW
6	WEDGE WIG	2					
7	PULLEY KATROL						
8	SUSPENSION BRACKET HANGSTEUN	1					
9	END CLAMP ENTKLAMP	1					
10	BOLTS AND NUTS FOR ADJUSTMENT BOUTE EN MOERE VIR VERSTELLING	4					



- NOTES/OPMERKINGS
- PULLEY TO BE SUPPLIED WITH ITEMS 4,5 AND 9 MADE-OFF. KATROL MOET VOORSIEN WORD MET ITEMS 4, 5 EN 9 AFGEMAAK.
 - EFFECTIVE LENGTH OF ROPES AFTER MAKE-OFF: EFFEKTIEWE LENGTE VAN TOUE NA AFMAAK:
ITEM 4 - 5112 mm
ITEM 5 - 6156 mm
 - EFFECTIVE TENSILE STRENGTH OF GALVANISED STEEL ROPE MUST NOT BE LESS THAN 57kN. UNLESS OTHERWISE STATED. EFFEKTIEWE TREKSTERKTE VAN GEGALVANISEERDE STAALKABEL MOET NIE MINDER AS 57kN WEES NIE TENSY ANDERS VERMELD.
 - THIS DRG TO BE READ IN CONJUNCTION WITH SPEC NO CEE. 0131.85/1. HIERDIE TEK MOET SAAM MET SPES NO CEE. 0131.85/1. GELEES WORD.

CEE-TP-257
CEE-TP-263
CEE-TP-264
CEE-TP-265
CEE-TP-266
CEE-TP-267
ASSY DRG
SAMEST-TEK

ELECTRIFICATION TYPES REF DRG NO CEE-MA-26 SHT 7B
ELEKTRIFIKASIE TIPS VERW TEK NO CEE-MA-389 VEL 7B

MODULUS ITEM NO. (M) 54/10763

PREVIOUS VORIGE ITEM NO.

DRAWING NO. CEE-TMF-523

SHEET OF VEL OF VAN

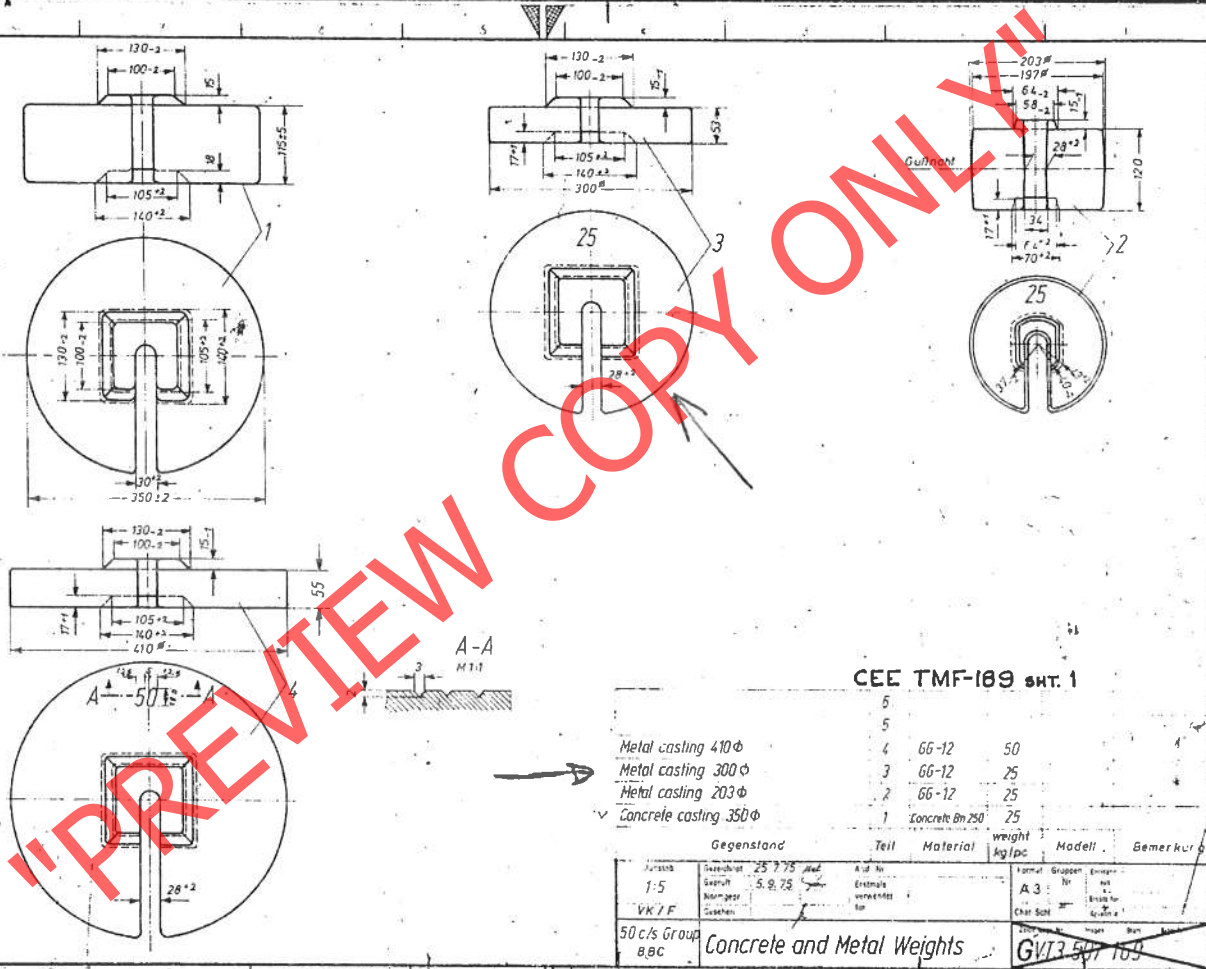
DIMENSIONS: MILLIMETRES AFMETINGS: MILLIMETER		GEN. TOLERANCES: LIN. ±1 ALG. TOLERANSIES: ANG/HOEK	
DRN. H. VAN VUUREN	GEN. TOLERANCES: LIN. ±1 ALG. TOLERANSIES: ANG/HOEK		
TRCD. NGT. H. VAN VUUREN	D.O. REF. TK-VERW T1/85/Z	ENG. IR R.B.	
CKD. NGS.	DATE 85-06-14	for. ns.	
CHIEF ELECTRICAL ENGINEER ELEKTRIESE HOOFINGENIEUR		JOHANNESBURG	
SOUTH AFRICAN TRANSPORT SERVICES SUID-AFRIKAANSE VERVOERDIENSTE			

ELECTRIFICATION TYPES E, F, G AND H
PULLEY 3:1 MECHANICAL RATIO.
WEIGHT TENSIONING DEVICE
ELEKTRIFIKASIE TIPS E, F, G EN H
KATROL 3:1 MEGANIESE VERHOUDING.
GEWIGSPANNINGTOESTEL



TMF-523

REF: 10354235



CEE TMF-189 SHT. 1

5					
5					
4	66-12	50			
3	66-12	25			
2	66-12	25			
1	Concrete Ø 250	25			
Gegenstand		Teil	Material	Weight	Modell
				kg/lpc	
Part No.	Part No.	Part No.	Part No.	Part No.	Part No.
1:5	25 7 75	5.9.78			
VK / F					
50 c/s Group	Concrete and Metal Weights				
B, B C					

Δ 2

Δ 2

1:5