



Transnet SOC Limited  
Transnet RME

REQUEST FOR QUOTATION

TFR RME RFQ BOARD  
TRANSNET FREIGHT RAIL RME  
XXXXXXXXXXXX  
XXXXXXXXXXXXXXXXXXXX

Registration Number: 1990/000900/06  
Vat Number : 4720103177

**Attention:**  
TFR RME RFQ BOARD  
Telephone Number :  
Fax Number :  
Vendor Number :500000

**Quotation Deadline Date : 22.11.2013**  
**Quotation Deadline Time : 16H00**

**REQUEST for QUOTATION**  
Transnet RME  
**RFQ Number / Date**  
6000182018 / 13.11.2013  
**Contact Person / Telephone**  
Anne Mongie / 031 361 1759  
**Return to VAX Number/EMAIL**  
0318300001 / TCPtendersDurban@Transnet.net

Item	Material	Description	RFQ Qty	UoM	Required Del date	Confirm Del date	Unit Price Excl	Total Price Excl
00010		CROSBY CLAMP STAINLESS	250	ea	27.11.2013			
CROSBY CLAMP STAINLESS M12								
00020		THIMBLE 14MM/80SQ	150	ea	27.11.2013			

THIMBLE 14MM/80SQ WIRES S/S 304 (CEE-TNB-85)  
FOR MORE INFO CONTACT DEES 083 278 9364

QUOTES MUST BE SENT TO : TCPtendersDurban@transnet.net or  
FAXED TO : 0318300001.  
ATTACH COPIES OF BBBEE AND TAX CLEARANCE CERTIFICATES  
CLOSING DATE : 22 NOVEMBER 2013 AT 16H00.  
ALL PROCUREMENT RELATED QUERIES TO BE DIRECTED TO :  
ANNE MONGIE : 031 361 1759



Transnet SOC Limited  
 Transnet RME  
 TFR RME RFQ BOARD  
 TRANSNET FREIGHT RAIL RME  
 XXXXXXXXXXXX  
 XXXXXXXXXXXXXXXXXXXX  
 0000

REQUEST FOR QUOTATION

Registration Number: 1990/000900/06  
 Vat Number : 4720103177

**Attention:**  
 TFR RME RFQ BOARD  
 Telephone Number :  
 Fax Number :  
 Vendor Number :500000

**Quotation Deadline Date : 22.11.2013**  
**Quotation Deadline Time : 16H00**

**REQUEST for QUOTATION**  
 Transnet RME  
**RFQ Number / Date**  
 6000182018 / 13.11.2013  
**Contact Person / Telephone**  
 Anne Mongie / 031 361 1759  
**Return to VAX Number/EMAIL**  
 0318300001 / TCPtendersDurban@Transnet.net

Item	Material	Description	RFQ Qty	UoM	Required Del date	Confirm Del date	Unit Price Excl	Total Price Excl
------	----------	-------------	---------	-----	-------------------	------------------	-----------------	------------------

E-MAIL : anne.mongie@transnet.net

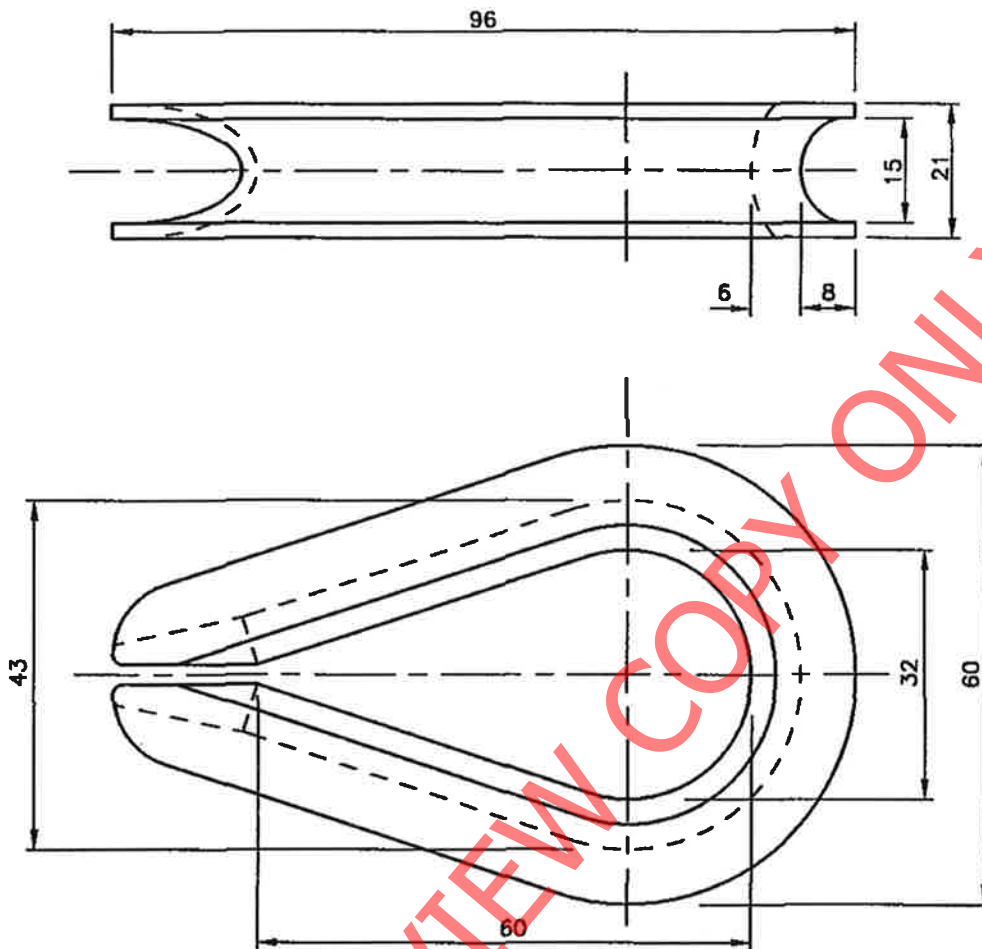
**Delivery Address**  
 TFR RME Durban  
 100 Eel Road  
 Bayhead, Durban  
 4001

This RFQ is subject to the following conditions:

1. Price/s : The price/s quoted in SA currency and is excluding of V.A.T
2. Delivery : The price/s quoted should include delivery cost to the delivery address stated on the RFQ
3. Returnables : A valid tax clearance certificate and BBBEE certificate from a SANAS accredited verification agency attached to quotation for all quotes above R30 000. Please note that only the official Transnet RFQ will be accepted and all other correspondence to be attached to the original
4. Safety : To confirm to Transnet Capital Projects Health & Safety plan and specification; HAS-std-0001, copy available on request.
5. Confirmation: To confirm your participation in this tender process please sign and return this document as immediate effect prior to the quotation deadline.
6. Negotiations: The Employer may elect to negotiate the final terms of the contract/order with the preferred tenderer in accordance with Clauses F.2.17 and F.3.13 of the CIDB Standard Conditions of Tender. A copy of which is available upon request.

Signature \_\_\_\_\_

Date \_\_\_\_\_



FINISH

ZINC COAT TO SABS 763 FOR CONDITIONS IN SITU.

MATERIAL: ITEM NO 11/ ———, STEEL SEE SPEC SABS 811

DO REF: J27/68 GEN TOL: LIN ± 0,5 ANG ± 1°

DRN: L N CKD: E F J DATE: 68-03-27

ENG: D McKAY W PHILLIPS for CHIEF ENG

CENTRAL DRAWING OFFICE  SPOORNET

# ROPE THIMBLE

WIRE SIZE - 100mm<sup>2</sup>

## AMENDMENTS

NO	NAME	DATE
1	JVT	2000-10-30

REVISED, DRG NO WAS CEE-TN-292. DO REF: T96/001

STORES ITEM NO. 54/5264

DIMENSIONS: mm  
SCALE: NTS



DRG NO CEE-TNB-85

SHT — OF —