

Transnet SOC Limited
Transnet RME

REQUEST FOR QUOTATION

TFR RME RFQ Board
TFR RME RFQ Board
Transnet Freight Rail - RME
PROCUREMENT DEPARTMENT

Registration Number: 1990/000900/06
Vat Number : 4720103177



Attention:

Telephone Number :
Fax Number :
Vendor Number :500000

Quotation Deadline Date : 12.11.2013
Quotation Deadline Time : 16:00

REQUEST for QUOTATION
Transnet RME
RFQ Number / Date
6000180374 / 31.10.2013
Contact Person / Telephone
Troy Stevens / 021 940 1892
Return to VAX Number/EMAIL
0218100000 / TCPtendersCapeTown@Transnet.net

Item	Material	Description	RFQ Qty	UoM	Required Del date	Confirm Del date	Unit Price Excl.	Total Price Excl.
00010		Adaptor plate	50	ea	26.11.2013			

Adaptor plate
Adaptor plate 2 hockey sticks (TNE-6)

Contact person Jeff Niemand 0834556385

Project number 1414792

Delivery address: Bellville Square store

Requester and Delivery Address:

Richard Carswell - Transnet Freight Rail (RME)
Deliver to Bellville Square Bellville South
Western Cape

Tel: Richard Carswell 0219401813 & 0834556391
Cell: Jeff Niemand 0834556385



Transnet SOC Limited
Transnet RME
 TFR RME RFQ Board
 TFR RME RFQ Board
 Transnet Freight Rail - RME
 PROCUREMENT DEPARTMENT
 0000

REQUEST FOR QUOTATION

Registration Number: 1990/000900/06
Vat Number : 4720103177

Attention:
 Telephone Number :
 Fax Number :
 Vendor Number :500000

Quotation Deadline Date : 12.11.2013
Quotation Deadline Time : 16:00

REQUEST for QUOTATION
 Transnet RME
RFQ Number / Date
 6000180374 / 31.10.2013
Contact Person / Telephone
 Troy Stevens / 021 940 1892
Return to VAX Number/EMAIL
 0218100000 / TCPtendersCapeTown@Transnet.net

Item	Material	Description	RFQ Qty	UoM	Required Del date	Confirm Del date	Unit Price Excl	Total Price Excl
------	----------	-------------	---------	-----	-------------------	------------------	-----------------	------------------

Email: richard.carswell@transnet.net
 Fax: 021 9401938

If you are unable to quote for this enquiry, please submit a NO QUOTE, with a short reason, if possible, for not being able to quote.

Otherwise we look forward to receive your quote by the date and time stated.

00020		Swivel clip	100	ea	26.11.2013			
-------	--	-------------	-----	----	------------	--	--	--

Swivel clip
 Swivel clip 161mm contact wire (TND 35 TND-1 and TN-330)

Contact person Jeff Niemand 0884556385

Project number 1414792

Delivery address: Bellville Square stor



Transnet SOC Limited
 Transnet RME
 TFR RME RFQ Board
 TFR RME RFQ Board
 Transnet Freight Rail - RME
 PROCUREMENT DEPARTMENT
 0000

REQUEST FOR QUOTATION

Registration Number: 1990/000900/06
 Vat Number : 4720103177

Attention:
 Telephone Number :
 Fax Number :
 Vendor Number :500000

Quotation Deadline Date : 12.11.2013
Quotation Deadline Time : 16:00

REQUEST for QUOTATION
 Transnet RME
RFQ Number / Date
 6000180374 / 31.10.2013
Contact Person / Telephone
 Troy Stevens / 021 940 1892
Return to VAX Number/EMAIL
 0218100000 / TCPtendersCapeTown@Transnet.net

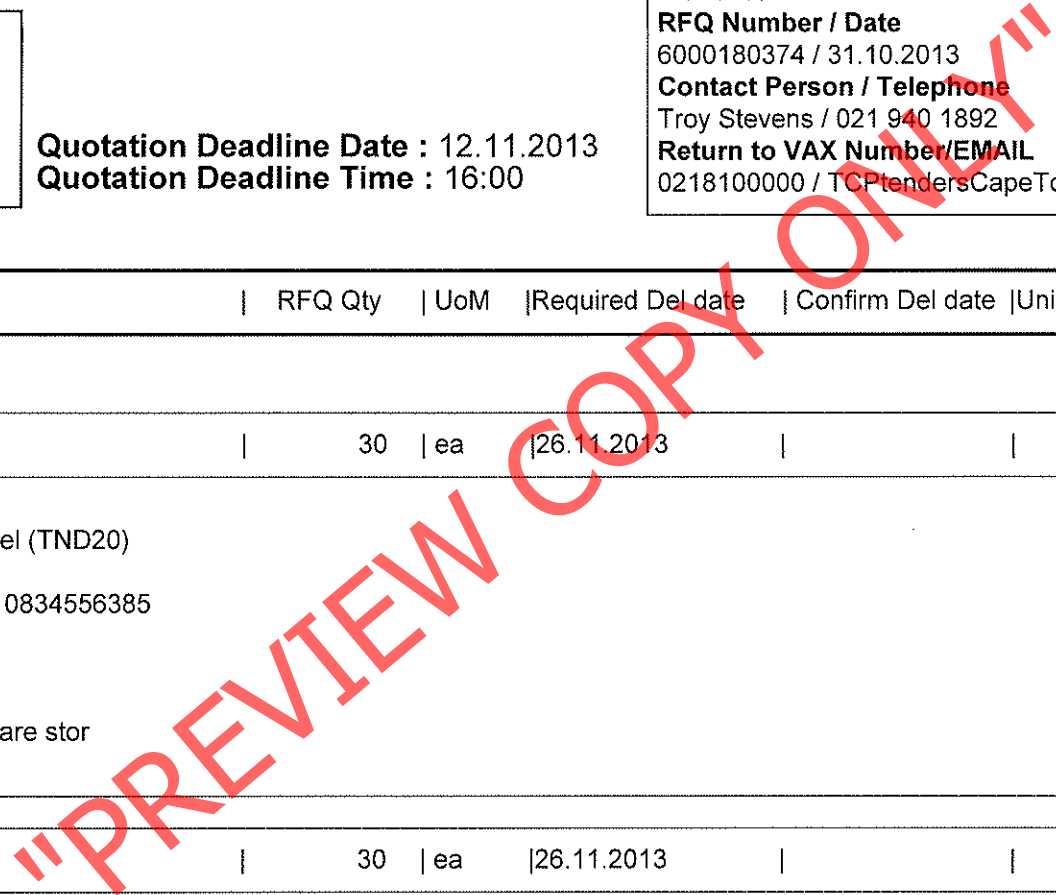
Item	Material	Description	RFQ Qty	UoM	Required Del date	Confirm Del date	Unit Price Excl	Total Price Excl
------	----------	-------------	---------	-----	-------------------	------------------	-----------------	------------------

00030		Hockey stick	30	ea	26.11.2013			
-------	--	--------------	----	----	------------	--	--	--

Hockey stick
 Hockey stick sar stainless steel (TND20)
 Contact person Jeff Niemand 0834556385
 Project number 1414792
 Delivery address: Bellville Square stor

00040		Steady arm	30	ea	26.11.2013			
-------	--	------------	----	----	------------	--	--	--

Steady arm
 Steadyarm SAR stainless steel (TND19)
 Contact person Jeff Niemand 0834556385
 Project number 1414792





Transnet SOC Limited
 Transnet RME
 TFR RME RFQ Board
 TFR RME RFQ Board
 Transnet Freight Rail - RME
 PROCUREMENT DEPARTMENT
 0000

REQUEST FOR QUOTATION

Registration Number: 1990/000900/06
 Vat Number : 4720103177

Attention:
 Telephone Number :
 Fax Number :
 Vendor Number :500000

Quotation Deadline Date : 12.11.2013
Quotation Deadline Time : 16:00

REQUEST for QUOTATION
 Transnet RME
RFQ Number / Date
 6000180374 / 31.10.2013
Contact Person / Telephone
 Troy Stevens / 021 940 1892
Return to VAX Number/EMAIL
 0218100000 / TCPtendersCapeTown@Transnet.net

Item	Material	Description	RFQ Qty	UoM	Required Del date	Confirm Del date	Unit Price Excl	Total Price Excl
------	----------	-------------	---------	-----	-------------------	------------------	-----------------	------------------

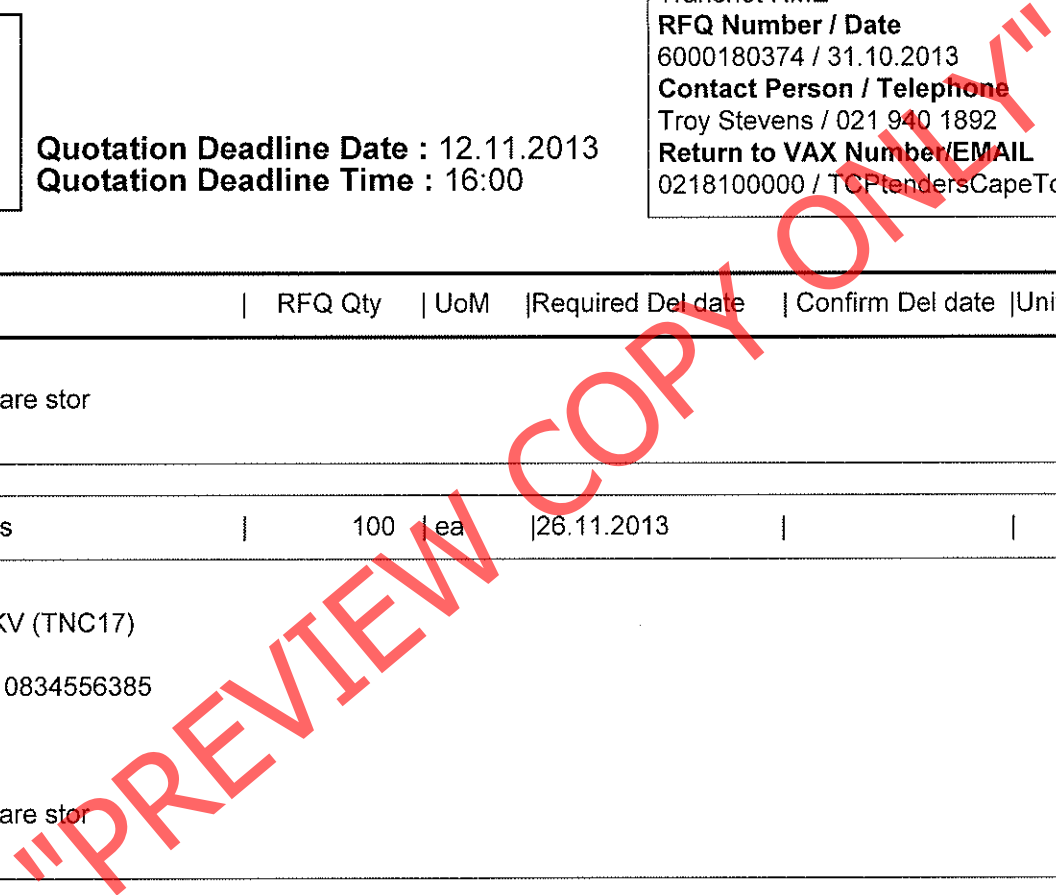
Delivery address:Belville Square stor

00050		Tongue&clevis	100	ea	26.11.2013			
-------	--	---------------	-----	----	------------	--	--	--

Tongue&clevis
 Insulator tongue and clevis 3KV (TNC17)
 Contact person Jeff Niemand 0834556385
 Project number 1414792
 Delivery address:Belville Square stor

00060		Rope	200	ea	26.11.2013			
-------	--	------	-----	----	------------	--	--	--

Rope
 Thimble rope 15mm/100 wire HDG1 (TNB-85)
 Contact person Jeff Niemand 0834556385





Transnet SOC Limited
 Transnet RME
 TFR RME RFQ Board
 TFR RME RFQ Board
 Transnet Freight Rail - RME
 PROCUREMENT DEPARTMENT
 0000

REQUEST FOR QUOTATION

Registration Number: 1990/000900/06
 Vat Number : 4720103177

Attention:

Telephone Number :
 Fax Number :
 Vendor Number :500000

Quotation Deadline Date : 12.11.2013
 Quotation Deadline Time : 16:00

REQUEST for QUOTATION
 Transnet RME
 RFQ Number / Date
 6000180374 / 31.10.2013
 Contact Person / Telephone
 Troy Stevens / 021 940 1892
 Return to VAX Number/EMAIL
 0218100000 / TCPtendersCapeTown@Transnet.net

Item	Material	Description	RFQ Qty	UoM	Required Del date	Confirm Del date	Unit Price Excl	Total Price Excl
------	----------	-------------	---------	-----	-------------------	------------------	-----------------	------------------

Project number 1414792

Delivery address: Bellville Square stor

00070		Clevis fitting		100	ea	26.11.2013		
-------	--	----------------	--	-----	----	------------	--	--

Clevis fitting
 Clevis fitting twist H (TNB 60)

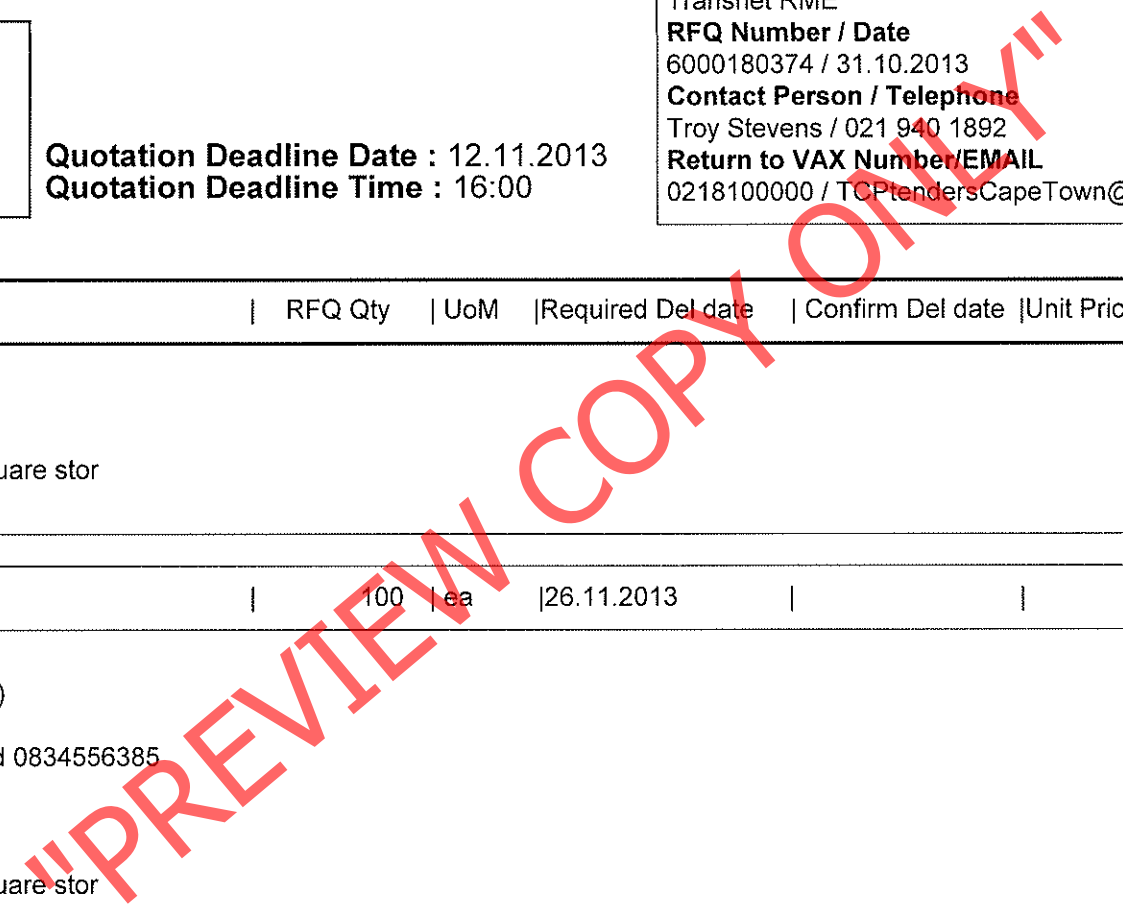
Contact person Jeff Niemand 0834556385

Project number 1414792

Delivery address: Bellville Square stor

00080		Socket		100	ea	26.11.2013		
-------	--	--------	--	-----	----	------------	--	--

Socket
 Socket steady arm old SAR (TNB 76)





Transnet SOC Limited
Transnet RME
 TFR RME RFQ Board
 TFR RME RFQ Board
 Transnet Freight Rail - RME
 PROCUREMENT DEPARTMENT
 0000

REQUEST FOR QUOTATION

Registration Number: 1990/000900/06
Vat Number : 4720103177

Attention:
 Telephone Number :
 Fax Number :
 Vendor Number :500000

Quotation Deadline Date : 12.11.2013
Quotation Deadline Time : 16:00

REQUEST for QUOTATION
 Transnet RME
RFQ Number / Date
 6000180374 / 31.10.2013
Contact Person / Telephone
 Troy Stevens / 021 940 1892
Return to VAX Number/EMAIL
 0218100000 / TCPtendersCapeTown@Transnet.net

Item	Material	Description	RFQ Qty	UoM	Required Del date	Confirm Del date	Unit Price Excl	Total Price Excl
------	----------	-------------	---------	-----	-------------------	------------------	-----------------	------------------

Contact person Jeff Niemand 0834556385

Project number 1414792

Delivery address: Bellville Square store

Requester and Delivery Address:

Richard Carswell - Transnet Freight Rail (RME)
 Deliver to Bellville Square Bellville South
 Western Cape

Tel: Richard Carswell 0219401813 & 0834556391
 Cell: Jeff Niemand 0834556385
 Email: richard.carswell@transnet.net
 Fax: 021 9401938

If you are unable to quote for this enquiry, please submit a NO QUOTE, with a short reason, if possible, for not being able to quote.

Otherwise we look forward to receive your quote by the date and time stated.



Transnet SOC Limited
 Transnet RME
 TFR RME RFQ Board
 TFR RME RFQ Board
 Transnet Freight Rail - RME
 PROCUREMENT DEPARTMENT
 0000

REQUEST FOR QUOTATION

Registration Number: 1990/000900/06
 Vat Number : 4720103177

Attention:

Telephone Number :
 Fax Number :
 Vendor Number :500000

Quotation Deadline Date : 12.11.2013
Quotation Deadline Time : 16:00

REQUEST for QUOTATION

Transnet RME
RFQ Number / Date
 6000180374 / 31.10.2013
Contact Person / Telephone
 Troy Stevens / 021 940 1892
Return to VAX Number/EMAIL
 0218100000 / TCPtendersCapeTown@Transnet.net

Delivery Address

TFR RME Cape Town
 De Gatt Complex, Behind Propne
 Bellville South, Cape Tow
 7530

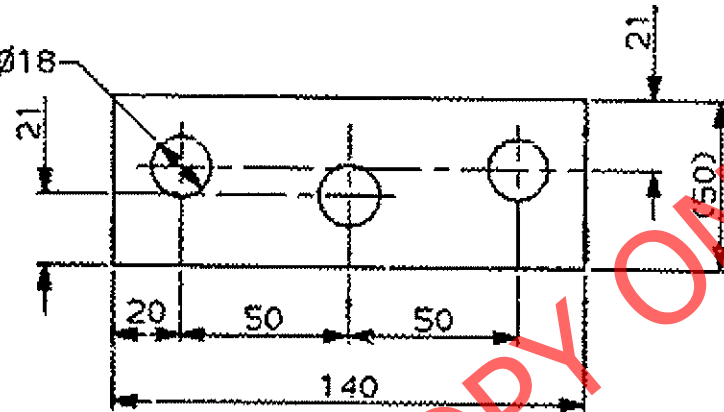
This RFQ is subject to the following conditions:

1. Price/s : The price/s quoted in SA currency and is excluding of V.A.T
2. Delivery : The price/s quoted should include delivery cost to the delivery address stated on the RFQ
3. Returnables : A valid tax clearance certificate and BBBEE certificate from a SANAS accredited verification agency attached to quotation for all quotes above R30 000.
Please note that only the official Transnet RFQ will be accepted and all other correspondence to be attached to the original
4. Safety : To confirm to Transnet Capital Projects Health & Safety plan and specification; HAS-std-0001, copy available on request.
5. Confirmation: To confirm your participation in this tender process please sign and return this document as immediate effect prior to the quotation deadline.
6. Negotiations: The Employer may elect to negotiate the final terms of the contract/order with the preferred tenderer in accordance with Clauses F.2.17 and F.3.13 of the CIDB Standard Conditions of Tender. A copy of which is available upon request.

 Signature

 Date

3 HOLES Ø18



FINISH
ZINC COAT TO SPEC SABS 763

AMENDMENTS

NO	NAME	DATE
1	W. BRIGHT	92-11-04

REDRAWN. HOLE CENTRES ALTERED. DRG NO WAS CEE-TMF-309. DO REF T92/051

DIMENSIONS, mm
SCALE 1:2

MATERIAL, ITEM NO 11/012509, STEEL, FLAT, 50X12/140L, SPEC CME 9 SYM 7

DO REF Y77/53 GEN TOL, LINE 1 ANG± -

DRN AJ VORSTER CKD F HEYL DATE 84-01-06

ENG JD KRUGER JD KRUGER For CHIEF ENG

INFRASTRUCTURE
(ELECTRICAL)



LINK STRAP FOR 2 HOCKEY STICKS ON R450m CURVES OR LESS

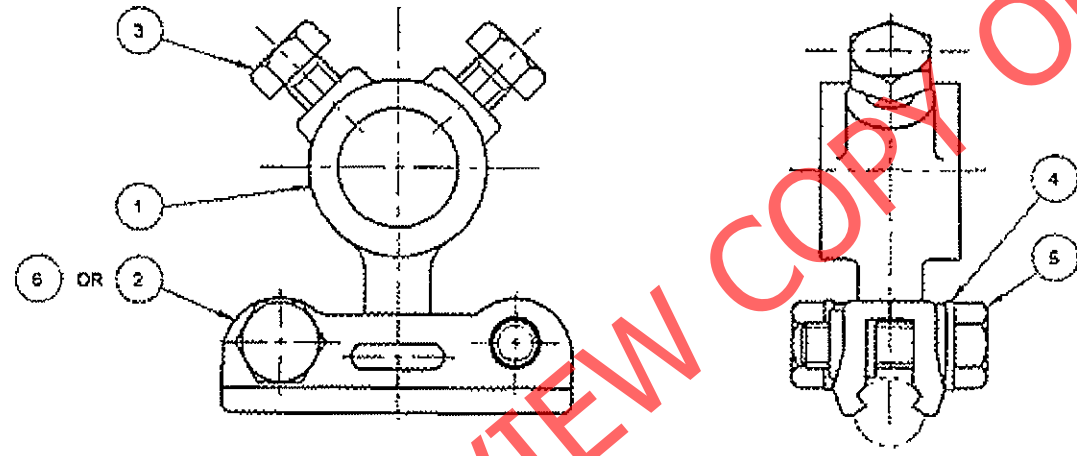


DRG NO CEE-

TNE-6

SHT - OF -

ITEM	DESCRIPTION	QTY	STORES ITEM NO	DRG NO CEE-	AMENDMENTS		
1	SWIVEL FITTING, KNUCKLE OR STEADY ARM	1	-----	TND-1	NO	NAME	DATE
2	CHEEK, 181mm ² Cu CONTACT WIRE SWIVEL CLAMP	2	54/33583	TN-330	1	JVT	97-11-24
3	BOLT, HEX. HEAD, M10 x 20L Cu-Ni-SI TO SPEC. CEE 0263 (SEE NOTE)	2	54/3545	-----	REDRAWN. DRG NO WAS CEE-TN-330.		
4	LOCK WASHER, INTERNAL TOOTH TYPE, M10 PHOSPHOR BRONZE (SEE NOTE)	2	54/2693	-----	DO REF T95/067		
5	BOLT, HEX. HEAD, M10 x 35L Cu-Ni-SI TO SPEC. CEE 0053 (SEE NOTE)	2	54/3657	-----	-----		
6	CHEEK, 107mm ² Cu CONTACT WIRE SWIVEL CLAMP	2	54/28813	TND-37	2	<i>[Signature]</i>	2004/1/26



NOTE
ITEMS 3, 4 & 5: FOR ALTERNATIVE MATERIAL USE STAINLESS STEEL TO SPEC A/51 GR 304

REVISED. ITEM 6 ADDED AND SUB-TITLE CHANGED.
ECP REF: 2003-091
DO REF: CDD2683

STORES ITEM NO
54/880

DIMENSIONS: mm
SCALE: 1:1

A3

DO REF: 78118/70	GEN TOL: LINA	ANG±	-
DRN: DW	CKD: G W MALONE	DATE: 70-11-19	
ENG: PIENAAR	-	for CHIEF ENG	

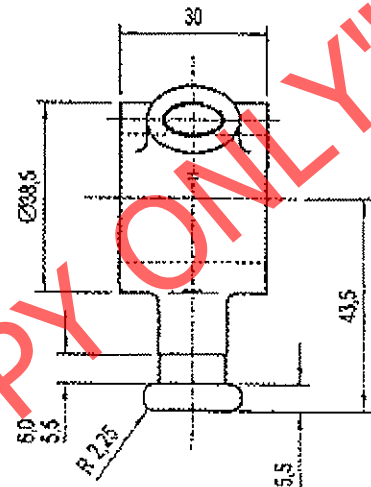
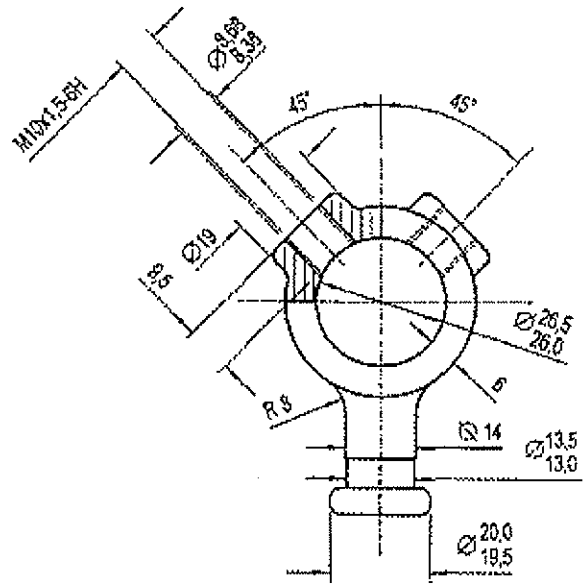
CENTRAL DRAWING OFFICE SPOORNET

SWIVEL TYPE CONTACT WIRE CLAMP ASSEMBLY

181mm² Cu OR 107mm² CONTACT WIRE KNUCKLE OR STEADY ARM

DRAWING NO **CEE-TND-35**

SHEET - OF -



NOTES

1. ALL UNSPECIFIED RADII R2.
2. REMOVE ALL BURRS.
3. READ IN CONJUNCTION WITH SPEC. CEE.0063.
4. THIS DRG WAS PART OF DRG. NO. CEE-TN-370.

AMENDMENTS		
NO	NAME	DATE
2	SVDK	30/05/2008

REDRAWN, TITLE REVISED.
ASSEMBLY DRG. NO.
REMOVED.
DO REF: GDO/731

"PREVIEW COPY ONLY"

DIMENSIONS: mm
SCALE: 1:1

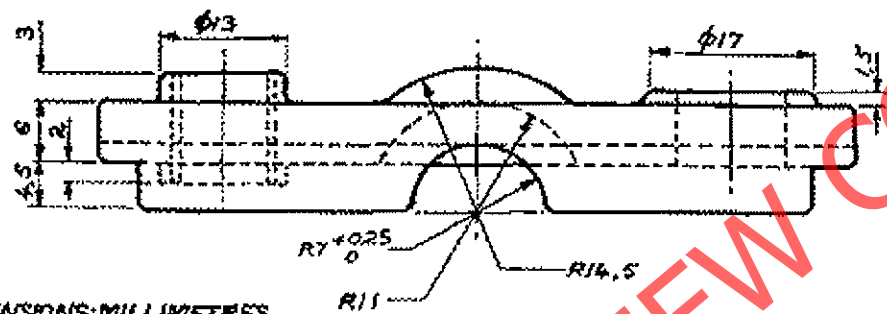
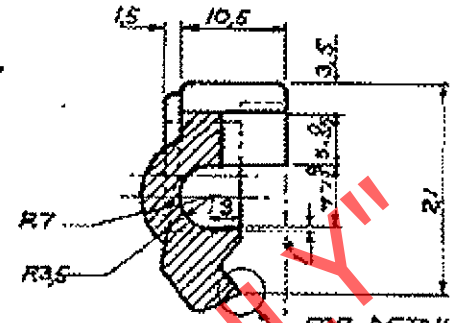
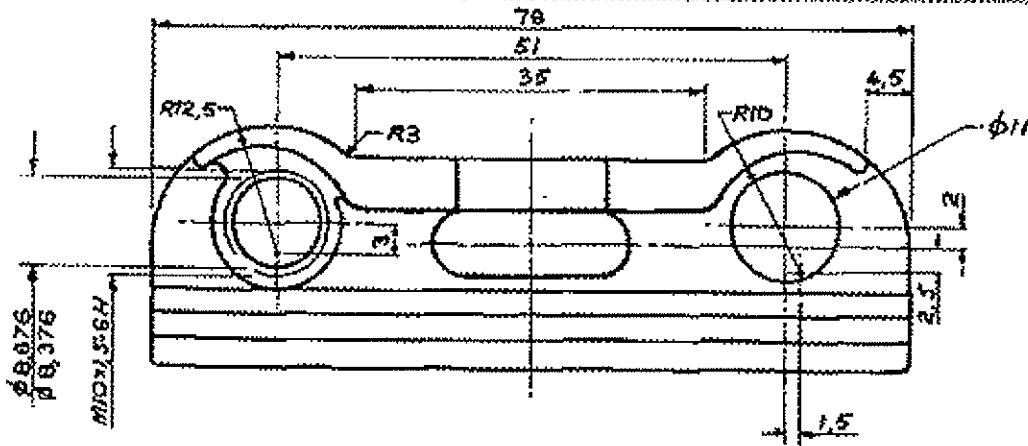
A3

DRAWING NO CEE-
TND-1

SHEET - OF -

MATERIAL: CASTING, Co-NI-SI ALLOY TO SPEC CEE.0063.			
DO REF: T87/68	GEN TOL: LIN ± 0.5	ANG ± 1°	
DRN: L WOOD	CKD: J SENEKAL	DATE: 87-07-15	
ENG: JD KRUGER	JD KRUGER	for CHIEF ENG	
CENTRAL DRAWING OFFICE INFRASTRUCTURE			

SWIVEL FITTING: KNUCKLE OR STEADY ARM.
SWIVEL TYPE CONTACT WIRE CLAMP.



NOTE - OPMERKING

ALL UNSPECIFIED RADII
ALLE ONGESPECIFISEERDE RADIUSSE R2.

AMENDMENTS
WYSIGINGS

NO.	NAME NAAM	DATE DATUM
1	DB	87-07-15

TITLE REVISED, ELEC. TYPES
ADDED. SPEC. NO. WAS
CEE-710A-15. ASSY DRG
NO. CEE-TN-365 ADDED.
TITEL HERSIEN, ELEK-TIPES
BYGEVOEG. SPES. NO. WAS
CEE-710A-15. SAMEST-TEK.
NO. CEE-TN-366 BYGEVOEG.
DIMENSIONS: 5-0
AFMETINGS: 5-05 WAS 5.
R7^{+0.25}
R7⁰ WAS R7:0.25
DO REF
TK-VERW T87/68

2	S. D. S.	1989/08/08
---	----------	------------

ASSEMBLY DRG. NO.
REMOVED.
DO REF: CDD/731

ELECTRIFICATION TYPES
REFERENCE DRG. NO.
CEE-MA-26 S-1 7D
ELEKTRIFIKASIE Tipes
VERWYSINGSTEK - NO.
CEE-MA-369 VEL 7B.

STORES ITEM NO.
MAGASYNITEM

DRAWING NO. CEE-

TN-330

DIMENSIONS: MILLIMETRES.
AFMETINGS: MILLIMETER

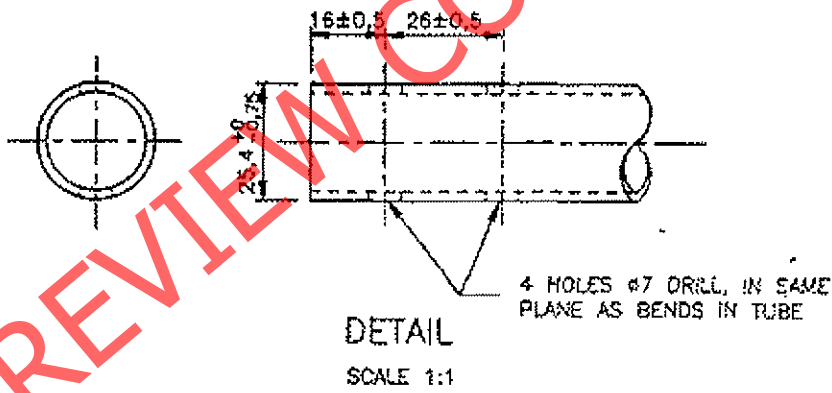
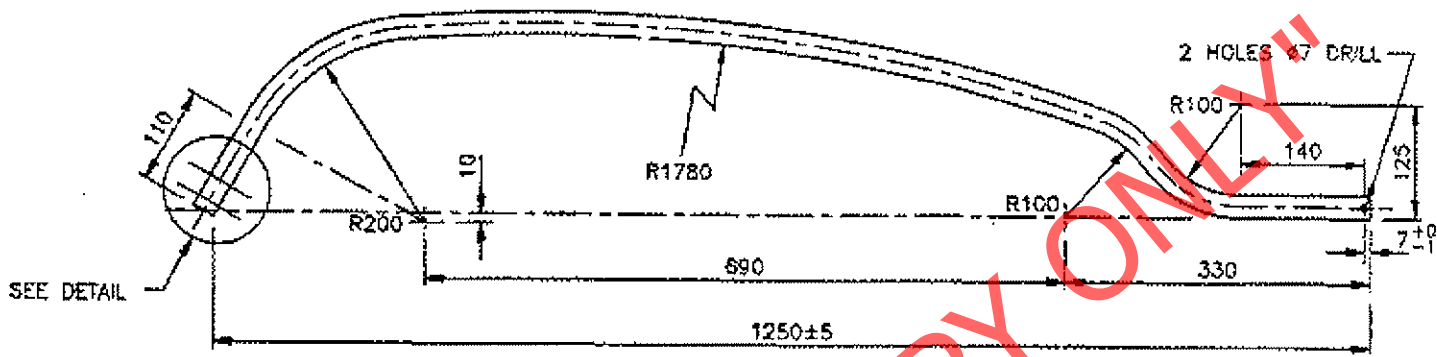
MATERIAL - MATERIAAL
CASTING ALLOY
GIETSTUK - Giet-Nl-52 ALLOOI
SPEC: CEE-0063-
SPES:
STORES ITEM NO. _____
MAGASYNITEM NO. _____

DRW: M. VERMEULEN GET.	GEN. TOLERANCES: ±0.5 ALG. TOLERANSIES: ±0.5	ELECTRIFICATION TYPES / ELEKTRIFIKASIE Tipes: A, B & C.
TRCD: M. VERMEULEN MGT.	D. REF: T1/B2/4/8 IK-VERW.	CHEEK.
CKD: B. Stewart. NGS.	DATE: 82-05-27 DATUM	161mm ² Cu CONTACT WIRE SWIVEL CLAMP.

CHIEF ELECTRICAL ENGINEER JOHANNESBURG.
ELEKTRIESE HOOFINGENIEUR
SOUTH AFRICAN TRANSPORT SERVICES
SUID-AFRIKAANSE VERVOERDIENSTE

WANG.
161mm² Cu RYDRAAD WERWELKLAMP.





AMENDMENTS		
NO	NAME	DATE
1	W. BRIGHT	92-09-28
16 DIM WAS 19. DRG. NO. WAS CEE-7N-151. DO REF: T92/045		
2	J von Oyk	94-05-23
REVISED AND UPDATED. DO REF: T94/025		

STORES ITEM NO
54/9298

DIMENSION: mm
SCALE: 1:5

A3

DRAWING NO. CEE-
TND-20

SHEET — OF —

MATERIAL: STAINLESS STEEL TUBE 2,03 WALL THK TO SPEC AISI GRADE 304.

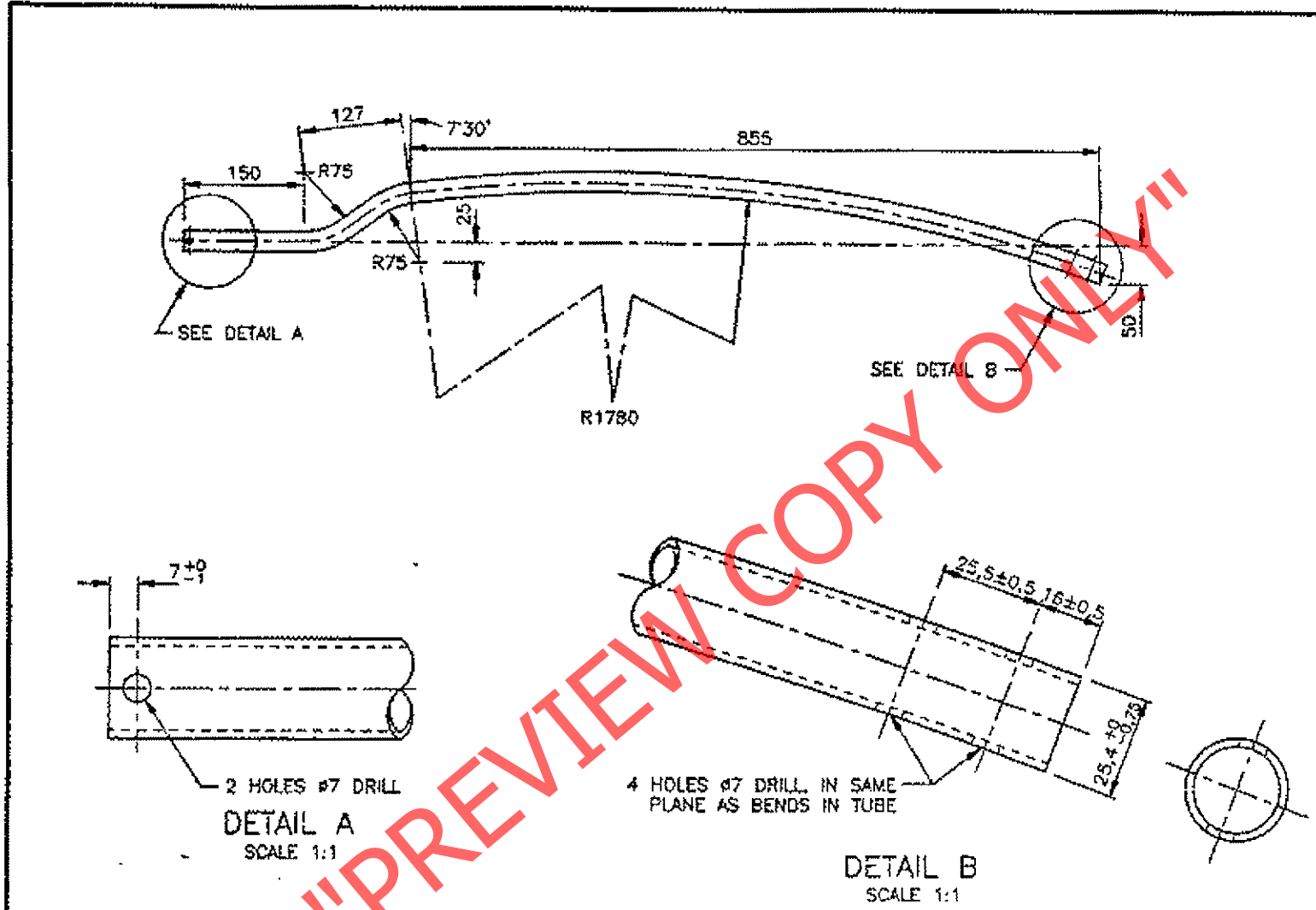
DO REF: T79/9	GEN TOL: L _{IN} ± 3	ANG ± —
DRN: A. JOUBERT	CKD: J. JACKSON	DATE: 79-11-22
ENG: —	F. PIENAAR	for CHIEF ENG

HOCKEY STICK: PULL-OFF TYPE

INFRASTRUCTURE
(ELECTRICAL)



TECHNIPET



"PREVIEW COPY ONLY"

AMENDMENTS		
NO	NAME	DATE
1	W. BRIGHT	92-09-28
16 DIM WAS 19. DRC. NO. WAS CEE-TN-150. DO REF: T92/045		
2	J van Dyk	94-05-23
REVISED AND UPDATED. DC REF: T94/025		

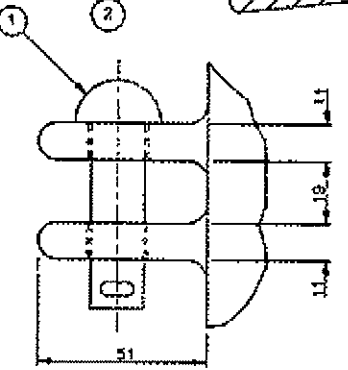
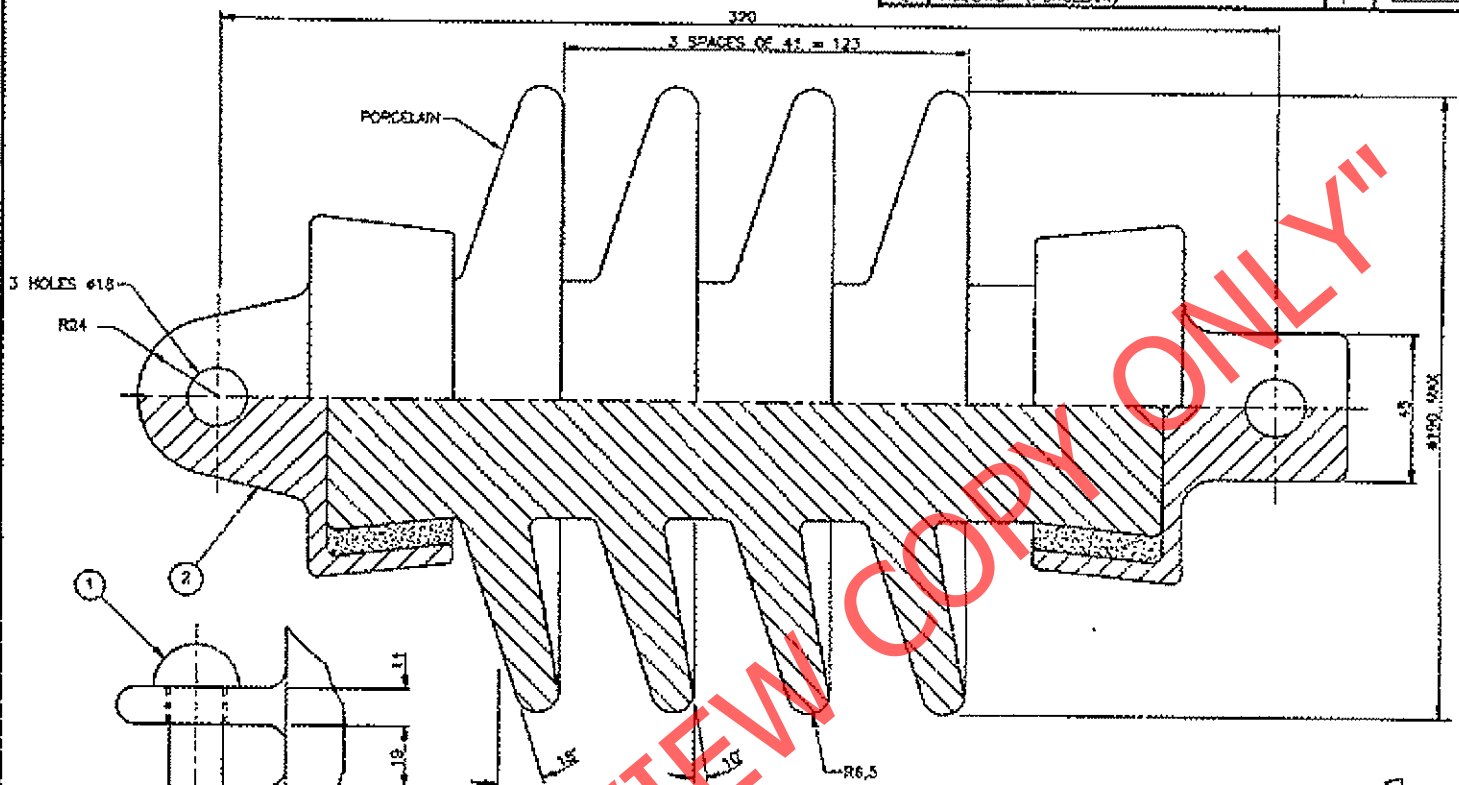
STORES ITEM NO 54/9314	
DIMENSION: mm SCALE: 1:5	
	A3
DRAWING NO CEE- TND-19	
SHEET -- OF --	

MATERIAL: STAINLESS STEEL TUBE 2.03 WALL THK TO SPEC AISI GRADE 304.		
DO REF: T79/9	GSN TOL: LIN ± 3	ANG $\pm 0'30"$
DRN: A. JOUBERT	CKD: J. JACKSON	DATE: 79-11-22
ENG: _____	F. PIENAAR	for CHIEF ENG
INFRASTRUCTURE (ELECTRICAL)		SPOORNET

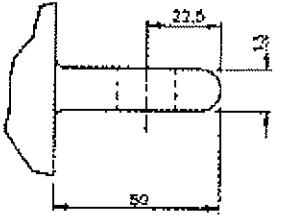
STEADY ARM: CURVED TYPE

FOR REUSE

ITEM	DESCRIPTION	QTY	STORES ITEM NO	ORG NO CEE-	AMENDMENTS
1	CLEVIS PIN Ø18 WITH LOCKING SPLIT PIN	1	54/4023	TX-88	NO NAME DATE
2	INSULATOR (PORCELAIN)	1			1 25-08-01



DETAIL OF CLEVIS



DETAIL OF TONGUE

- MINIMUM INSULATOR REQUIREMENTS
1. TENSILE BREAKING LOAD: 54kN
 2. BENDING LOAD: 6kN
 3. CREEPAGE PATH: 520mm
 4. ARcing DISTANCE: 221mm
 5. LIGHTNING IMPULSE WITHSTAND VOLTAGE: 130kV
 6. WITHSTAND ALTERNATING VOLTAGE UNDER RAIN: 40kV

NOTES

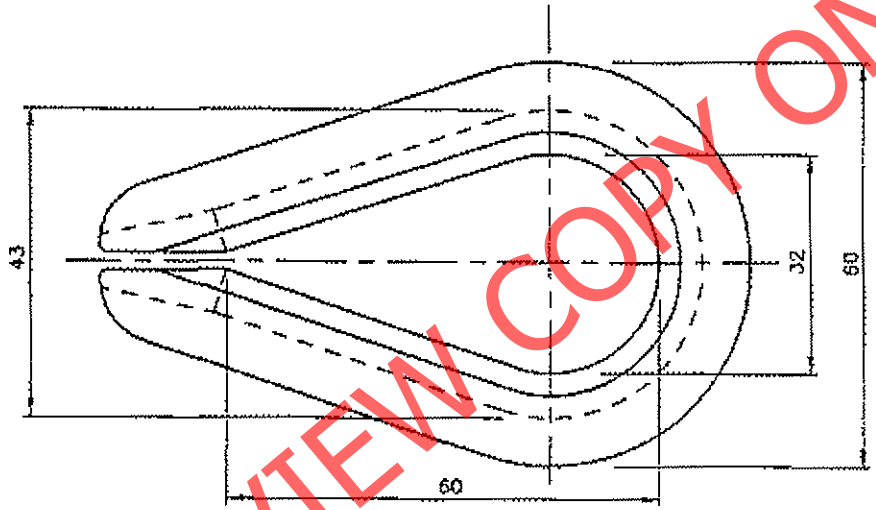
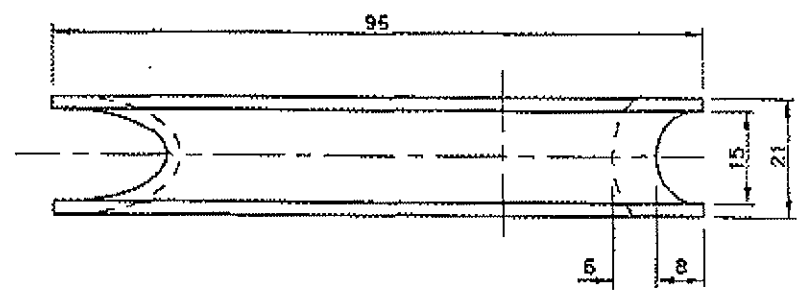
1. FOR DISC INSULATOR SEE DRG NO CEE-TNC-19.
2. INSULATORS TO BE COATED WITH MUNSSELL BLUE GLAZE.
3. CAP MATERIAL: BLACKHEART MALLEABLE CAST IRON TO SABS 1100 GRADE B340 AND ZINC COAT TO SABS 763.
4. COMPLETE INSULATOR MUST CONFORM TO SABS 177.
5. PACKING: ONE INSULATOR PER CRATE.

RD REP: 11/83/88	GEN TO: LINE 1	ANG: 1°
DRN: WF HANS	CHK: J SWIGERS	DATE: 83-10-28
ENG: JD KRUGER	JD KRUGER	1st CHIEF ENG
INFRASTRUCTURE (ELECTRICAL)		



SOLID CORE STANDOFF INSULATOR WITH TONGUE AND CLEVIS FOR 3,3kV D.C.

STORES ITEM NO	54/1141
DIMENSIONS:	mm
SCALE:	1:1
A2	
DRAWING NO	CEE-TNC-17
SHEET	01 OF 01



PREVIEW COPY ONLY

AMENDMENTS		
NO	NAME	DATE
1	JVT	2000-10-30

REVISED, DRG NO WAS CEE-TN-292.
DO REF: T95/001

STORES ITEM NO.
54/5264

DIMENSIONS: mm
SCALE: NTS



DRG NO CEE--
TNB-85
SHT -- OF --


FINISH
ZINC COAT TO SABS 763 FOR CONDITIONS IN SITU.

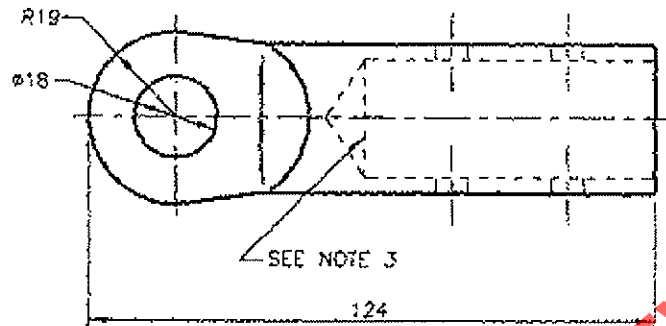
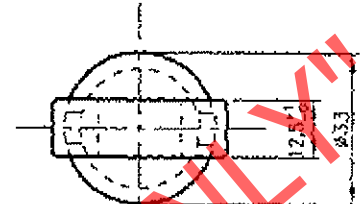
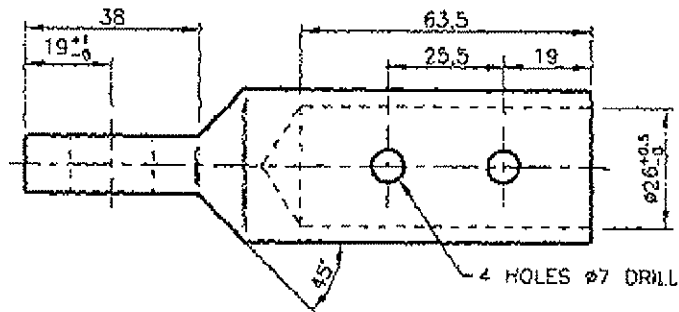
MATERIAL: ITEM NO 117, STEEL SEE SPEC SABS 811

DO REF: J27/68	GEN TOL: LIN± 0,5	ANG± 1°
DRN: L N	CKD: E F J	DATE: 68-03-27
ENG: D McKAY	W PHILLIPS	for CHIEF ENG

ROPE THIMBLE

WIRE SIZE - 100mm²

CENTRAL DRAWING OFFICE  SPOORNET



- NOTES
1. ALL UNSPECIFIED RADII R3
 2. THE FOLLOWING PERMANENT MARKINGS MUST APPEAR ON THIS ARTICLE:
 - a) SPOORNET
 - b) MAKER'S IDENTIFICATION
 - c) BATCH NUMBER
 3. BOTTOM OF HOLE: FLAT OR DRILL POINTED
- FINISH
ZINC COAT TO SPEC. 763 FOR CONDITIONS IN SITU

AMENDMENTS		
NO	NAME	DATE
1	J v DYK	2000-10-30

REDRAWN, DRG NO WAS
CEE-TN-402
DO REF T95/067

DIMENSIONS: mm
SCALE: 1:1

MATERIAL: ITEM NO --, SPHEROIDAL GRAPHITE IRON TO SPEC SABS 936 GRADE 50 50

DO REF: J71/228	GEN TOL: LIN±	1	ANG± 1°
DRN: J W N	CKD: -	DATE: 68-03-18	
ENG: D C	W PHILLIPS	for CHIEF ENG	

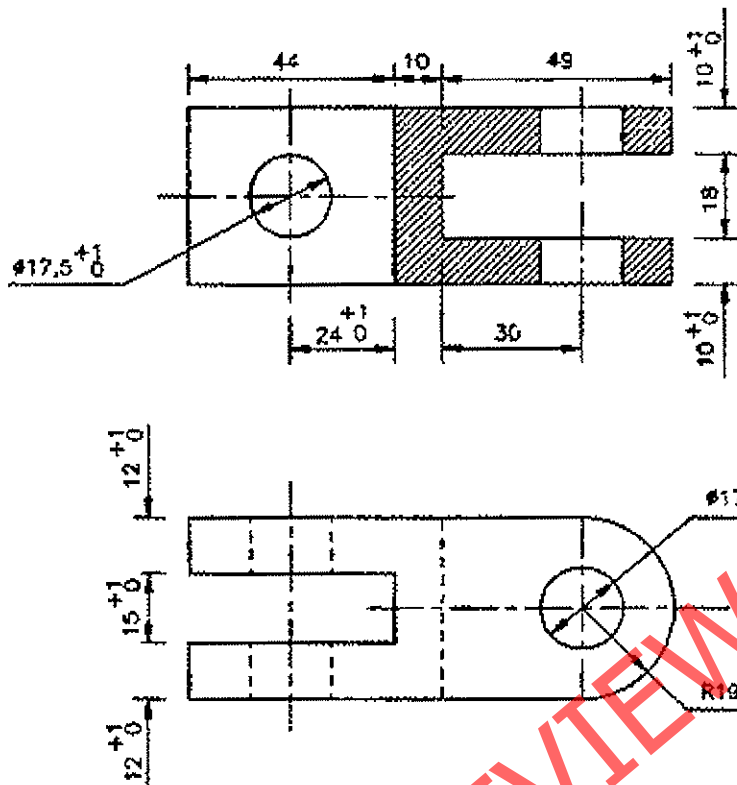
ADAPTER, INSULATOR
STEADY ARM SOCKET

INFRASTRUCTURE
(ELECTRICAL)





 A3
 DRAWING NO CEE-
 TNB-76
 SHEET -- OF --



NOTES

1. MECHANICAL STRENGTH 44,5KN.
2. OTHER SUITABLE MATERIAL MAY BE OFFERED BY TENDER FOR CONSIDERATION. THIS ITEM IS USED ON OVERHEAD TRACK EQUIPMENT AND MUST BE CORROSIVE RESISTANT.
3. THE FOLLOWING PERMANENT MARKINGS MUST APPEAR ON THIS ARTICLE:
 - (a) SPOORNET.
 - (b) MAKER'S IDENTIFICATION.
 - (c) BATCH NUMBER.
4. FINISH: ZINC COAT TO SABS 763 FOR CONDITIOS IN SMU.

AMENDMENTS		
NO	NAME	DATE
1	JVT	97-04-07

REVISED, DRG NO WAS CEE-TN-351.
DO REF: T96/001

STORES ITEM NO 54/1521
DIMENSIONS: mm SCALE: 1:2

MATERIAL: SPHEROIDAL GRAPHITE IRON TO SPEC SABS 936 GRADE SG 50

DO REF: C227/68	GEN TOL: UN± 1	ANG±
DRN: P L W	CKD:	DATE: 20-02-13
ENG: K L K	TC BROOK	for CHIEF ENG

CLEVIS FITTING
TWISTED 'H'

INFRASTRUCTURE (ELECTRICAL) SPOORNET

	A3
DRAWING NO CEE-	
TNB-60	
SHEET — OF —	