

Transnet SOC Limited
Transnet RME

REQUEST FOR QUOTATION

TFR RME RFQ Board
TFR RME RFQ Board
Transnet Freight Rail -RME
PROCUREMENT DEPARTMENT

Registration Number: 1990/000900/06
Vat Number : 4720103177



Attention:
Telephone Number :
Fax Number :
Vendor Number :500000

Quotation Deadline Date : 12.11.2013
Quotation Deadline Time : 16:00

REQUEST for QUOTATION
Transnet RME
RFQ Number / Date
6000180369 / 31.10.2013
Contact Person / Telephone
Troy Stevens / 021 940 1892
Return to VAX Number/EMAIL
0218100000 / TCPtendersCapeTown@Transnet.net

Item	Material	Description	RFQ Qty	UoM	Required Del date	Confirm Del date	Unit Price Excl	Total Price Excl
00010		Clevis pin	200	ea	26.11.2013			

Clevis pin
Clevis pin (TX-66) 16mm diax60mm and split pin s/s humpback

Contact person Jeff Niemand 0834556385

Project number 1414792

Delivery address: Bellville Square store

Requester and Delivery Address:

Richard Carswell - Transnet Freight Rail (RME)
Deliver to Bellville Square Bellville South
Western Cape

Tel: Richard Carswell 0219401813 & 0834556391
Cell: Jeff Niemand 0834556385

"PREVIEW COPY"



Transnet SOC Limited
Transnet RME
 TFR RME RFQ Board
 TFR RME RFQ Board
 Transnet Freight Rail -RME
 PROCUREMENT DEPARTMENT
 0000

REQUEST FOR QUOTATION

Registration Number: 1990/000900/06
Vat Number : 4720103177

Attention:

 Telephone Number :
 Fax Number :
 Vendor Number :500000

Quotation Deadline Date : 12.11.2013
Quotation Deadline Time : 16:00

REQUEST for QUOTATION
 Transnet RME
RFQ Number / Date
 6000180369 / 31.10.2013
Contact Person / Telephone
 Troy Stevens / 021 940 1892
Return to VAX Number/EMAIL
 0218100000 / TCPtendersCapeTown@Transnet.net

Item	Material	Description	RFQ Qty	UoM	Required Del date	Confirm Del date	Unit Price Excl	Total Price Excl
------	----------	-------------	---------	-----	-------------------	------------------	-----------------	------------------

Email: richard.carswell@transnet.net
 Fax: 021 9401938

If you are unable to quote for this enquiry, please submit a NO QUOTE, with a short reason, if possible, for not being able to quote.

Otherwise we look forward to receive your quote by the date and time stated.

00020		Eye bolt	200	ea	26.11.2013			
-------	--	----------	-----	----	------------	--	--	--

Eye bolt
 Eye bolt M12x150L HDG (TX-27A)

Contact person Jeff Niemand 0834556385

Project number 1414792

Delivery address: Bellville Square stor

"PREVIEW COPY"



Transnet SOC Limited
 Transnet RME
 TFR RME RFQ Board
 TFR RME RFQ Board
 Transnet Freight Rail -RME
 PROCUREMENT DEPARTMENT
 0000

REQUEST FOR QUOTATION

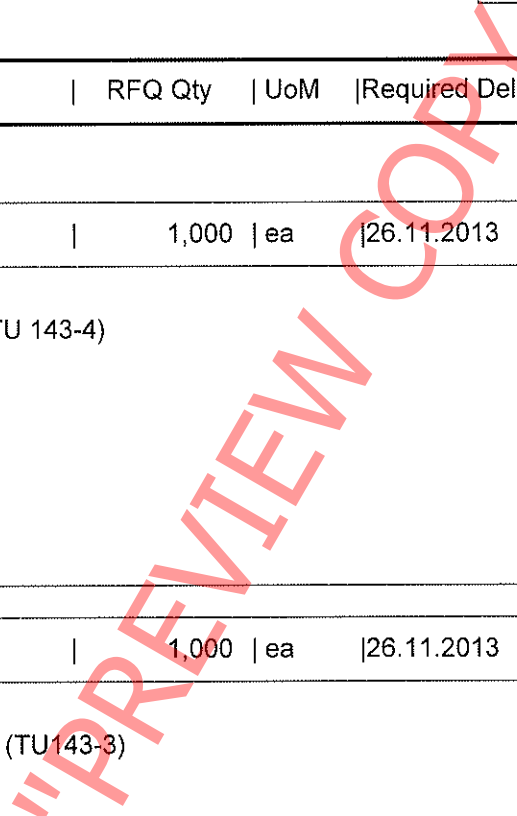
Registration Number: 1990/000900/06
 Vat Number : 4720103177

Attention:
 Telephone Number :
 Fax Number :
 Vendor Number :500000

Quotation Deadline Date : 12.11.2013
Quotation Deadline Time : 16:00

REQUEST for QUOTATION
 Transnet RME
RFQ Number / Date
 6000180369 / 31.10.2013
Contact Person / Telephone
 Troy Stevens / 021 940 1892
Return to VAX Number/EMAIL
 0218100000 / TCPtendersCapeTown@Transnet.net

Item	Material	Description	RFQ Qty	UoM	Required Del date	Confirm Del date	Unit Price Excl	Total Price Excl
00030		Insulation bush	1,000	ea	26.11.2013			
Insulation bush Insulation bush M36 mast base insulation (TU 143-4) Contact person Jeff Niemand 0834556385 Project number 1414792 Delivery address: Bellville Square stor								
00040		Washer	1,000	ea	26.11.2013			
Washer Insulation washer M36 mast base insulation (TU143-3) Contact person Jeff Niemand 0834556385 Project number 1414792								





Transnet SOC Limited
 Transnet RME
 TFR RME RFQ Board
 TFR RME RFQ Board
 Transnet Freight Rail -RME
 PROCUREMENT DEPARTMENT
 0000

REQUEST FOR QUOTATION

Registration Number: 1990/000900/06
 Vat Number : 4720103177

Attention:
 Telephone Number :
 Fax Number :
 Vendor Number :500000

Quotation Deadline Date : 12.11.2013
Quotation Deadline Time : 16:00

REQUEST for QUOTATION
 Transnet RME
RFQ Number / Date
 6000180369 / 31.10.2013
Contact Person / Telephone
 Troy Stevens / 021 940 1892
Return to VAX Number/EMAIL
 0218100000 / TCPtendersCapeTown@Transnet.net

Item	Material	Description	RFQ Qty	UoM	Required Del date	Confirm Del date	Unit Price Excl	Total Price Excl
------	----------	-------------	---------	-----	-------------------	------------------	-----------------	------------------

Delivery address: Bellville Square stor

00050		Insulation pad	350	ea	26.11.2013			
-------	--	----------------	-----	----	------------	--	--	--

Insulation pad
 Insulation pad 203 UC mast 3holes (TU143-2)

Contact person Jeff Niemand 0834556385

Project number 1414792

Delivery address: Bellville Square store

Requester and Delivery Address:

Richard Carswell - Transnet Freight Rail (RME)
 Deliver to Bellville Square Bellville South
 Western Cape

Tel: Richard Carswell 0219401813 & 0834556391
 Cell: Jeff Niemand 0834556385
 Email: richard.carswell@transnet.net

"PREVIEW COPY"



Transnet SOC Limited
 Transnet RME
 TFR RME RFQ Board
 TFR RME RFQ Board
 Transnet Freight Rail -RME
 PROCUREMENT DEPARTMENT
 0000

REQUEST FOR QUOTATION

Registration Number: 1990/000900/06
 Vat Number : 4720103177

Attention:
 Telephone Number :
 Fax Number :
 Vendor Number :500000

Quotation Deadline Date : 12.11.2013
Quotation Deadline Time : 16:00

REQUEST for QUOTATION
 Transnet RME
RFQ Number / Date
 6000180369 / 31.10.2013
Contact Person / Telephone
 Troy Stevens / 021 940 1892
Return to VAX Number/EMAIL
 0218100000 / TCPtendersCapeTown@Transnet.net

Item	Material	Description	RFQ Qty	UoM	Required Del date	Confirm Del date	Unit Price Excl	Total Price Excl
------	----------	-------------	---------	-----	-------------------	------------------	-----------------	------------------

Fax: 021 9401938

If you are unable to quote for this enquiry, please submit a NO QUOTE, with a short reason, if possible, for not being able to quote.

Otherwise we look forward to receive your quote by the date and time stated.

"PREVIEW COPY"



Transnet SOC Limited
Transnet RME
 TFR RME RFQ Board
 TFR RME RFQ Board
 Transnet Freight Rail -RME
 PROCUREMENT DEPARTMENT
 0000

REQUEST FOR QUOTATION

Registration Number: 1990/000900/06
 Vat Number : 4720103177

Attention:

Telephone Number :
 Fax Number :
 Vendor Number :500000

Quotation Deadline Date : 12.11.2013
Quotation Deadline Time : 16:00

REQUEST for QUOTATION

Transnet RME

RFQ Number / Date

6000180369 / 31.10.2013

Contact Person / Telephone

Troy Stevens / 021 940 1892

Return to VAX Number/EMAIL

0218100000 / TCPtendersCapeTown@Transnet.net

Delivery Address

TFR RME Cape Town
 De Gatt Complex, Behind Propne
 Bellville South, Cape Tow
 7530

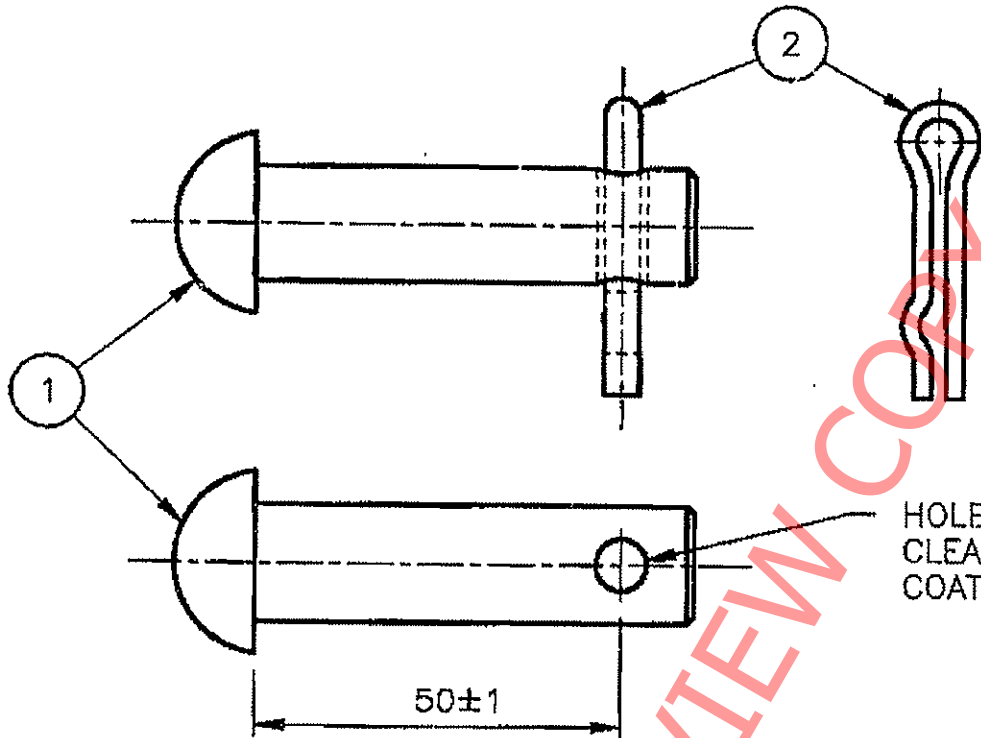
This RFQ is subject to the following conditions:

1. Price/s : The price/s quoted in SA currency and is excluding of V.A.T
2. Delivery : The price/s quoted should include delivery cost to the delivery address stated on the RFQ
3. Returnables : A valid tax clearance certificate and BBBEE certificate from a SANAS accredited verification agency attached to quotation for all quotes above R30 000.
Please note that only the official Transnet RFQ will be accepted and all other correspondence to be attached to the original
4. Safety : To confirm to Transnet Capital Projects Health & Safety plan and specification; HAS-std-0001, copy available on request.
5. Confirmation: To confirm your participation in this tender process please sign and return this document as immediate effect prior to the quotation deadline.
6. Negotiations: The Employer may elect to negotiate the final terms of the contract/order with the preferred tenderer in accordance with Clauses F.2.17 and F.3.13 of the CIDB Standard Conditions of Tender. A copy of which is available upon request.

 Signature

 Date

ITEM	DESCRIPTION	QTY	STORES ITEM NO	DRG NO CEE-	AMENDMENTS
1	RIVET, STEEL, SNAP HEAD, $\phi 16$ x 60 LG	1	01/22722	---	NO NAME DATE
2	LOCKING SPLIT PIN	1	54/3734	TX-54	3 J v DvK 94/8/4



FINISH
ZINC COAT ITEM 1 TO
SPEC SABS 763 FOR
CONDITIONS IN SITU.

HOLE $\phi 7$ DRILL
CLEAR AFTER ZINC
COATING TO $\phi 6,5$

DIMENSION 50 WAS
46. TOL REVISED.
ITEM 1 STORES ITEM
NO WAS 01/22710.
DO REF T94/046

STORES ITEM NO.
54/4020
DIMENSIONS: mm
SCALE: 1:1



DRG NO CEE-
TX-66
SHT — OF —

DO REF: C84/70	GEN TOL: LIN $\pm 0,5$	ANG \pm
DRN: G.J. v G.	CKD: I.T.	DATE: 70-09-09
ENG: ---	T.C. BROOK	for CHIEF ENG

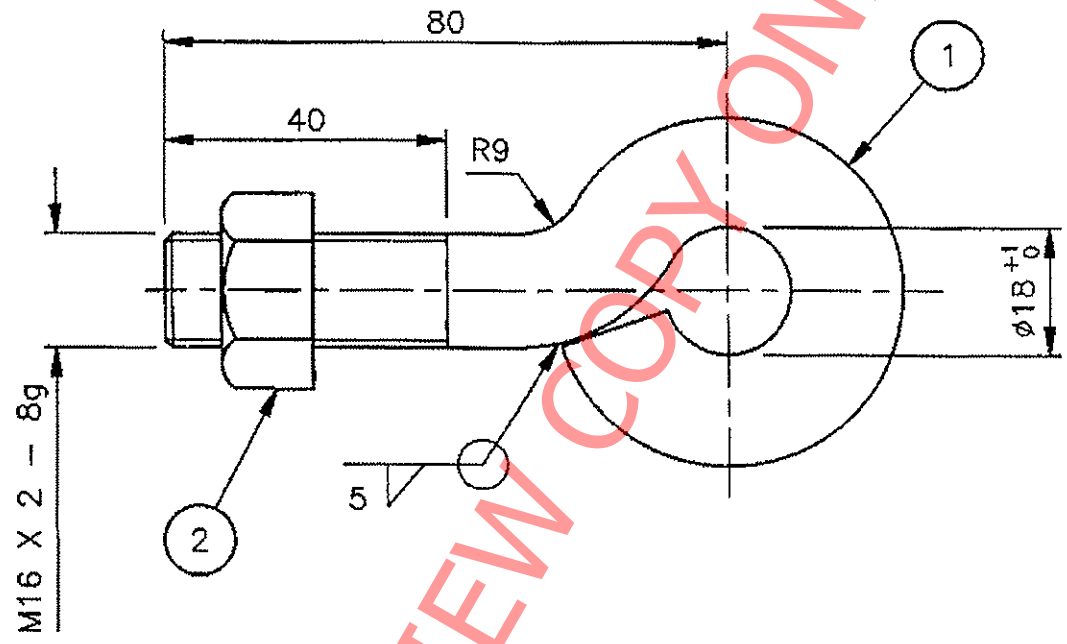
PIN, STRAIGHT, HEADED, $\phi 16$
WITH LOCKING SPLIT PIN

INFRASTRUCTURE
(ELECTRICAL)



10000638

ITEM	DESCRIPTION	QTY	STORES ITEM NO	DRG NO CEE-	AMENDMENTS		
					NO	NAME	DATE
1	STEEL, ROUND, $\phi 16$	1			2	J HARCUS	95-08-21
2	NUT, STEEL, HEX, GALV, M16	1	01/032868		REDRAWN. ITEM 2 ADDED. DO REF T95/050		



FINISH
ZINC COAT ITEM 1 TO SPEC SABS 763 FOR CONDITION IN SITU

DO REF: T80/50	GEN TOL: LIN \pm 0,5	ANG \pm -
DRN: J KRUGER	CKD: J SWIEGERS	DATE: 80-06-11
ENG: -	F PIENAAR	for CHIEF ENG

EYE BOLT

STEADY ARM AND HOCKEY STICK
ATTACHMENT LOCKING BRACKET

INFRASTRUCTURE
(ELECTRICAL)



STORES ITEM NO.

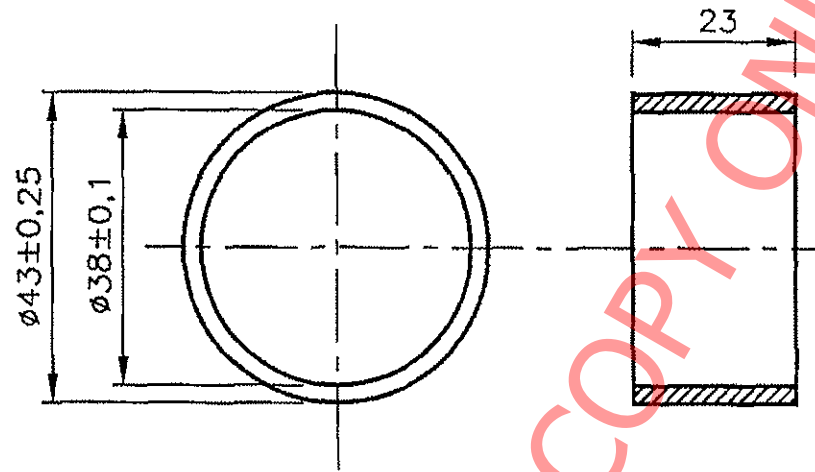
DIMENSIONS: mm
SCALE: 1:1



DRG NO CEE-
TX-27

SHT - OF -

T0000938



NOTE
THIS DRAWING TO BE READ IN CONJUNCTION WITH SPECIFICATION CEE.0166.

AMENDMENTS

NO	NAME	DATE
1	JVT	95-04-13

SPECIFICATION IN NOTE WAS CEE-13B-4.
DO REF: G95/008.

2	<i>[Signature]</i>	<i>[Signature]</i>
---	--------------------	--------------------

STORES ITEM NO ADDED.
DO REF: CDO/977

STORES ITEM NO.
54/438

DIMENSIONS: mm
SCALE: 1:1



DRG NO CEE-
TU-143
SHT 4 OF 4

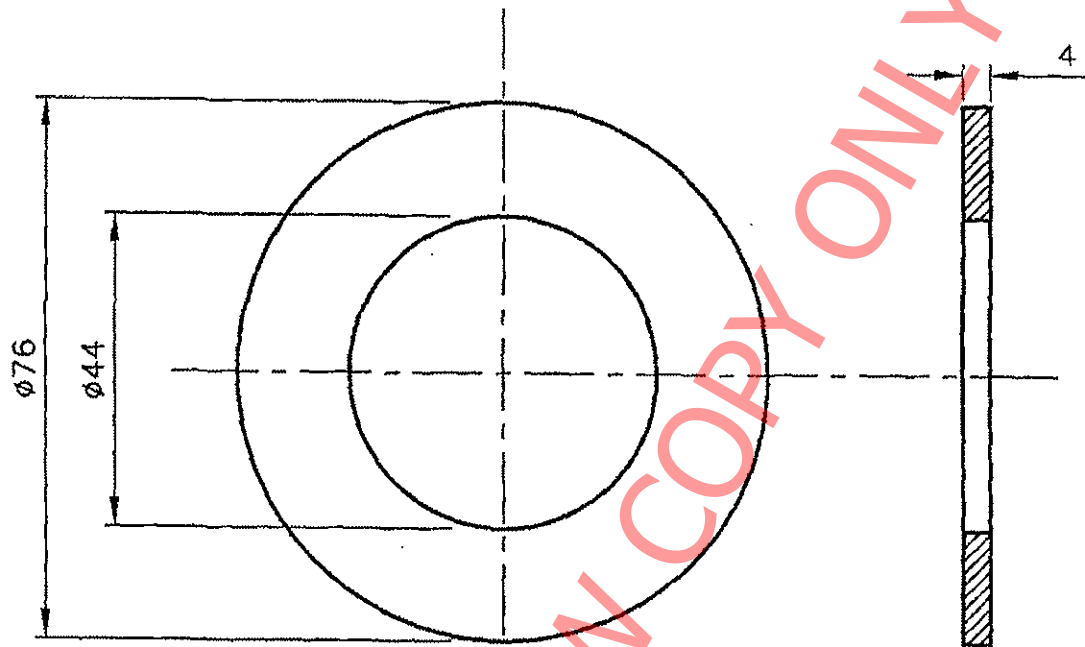
MATERIAL: SYNTHETIC RESIN BONDED GLASS-FIBRE FABRIC (WOVEN) TO SPEC BS 3396 OR EQUAL AND APPROVED

DO REF: T94/031	GEN TOL: LIN ± 0,5	ANG ±
DRN: C de Koker	CKD: JVT	DATE: 94-07-06
ENG: F SLIER	L O BORCHARD for CHIEF ENG	

INSULATING BUSH

MAST BASE ANTI-ELECTROLYSIS ARRANGEMENT
4 OR 6 x M36 BOLT GROUP UC MASTS

CENTRAL DRAWING OFFICE
INFRASTRUCTURE (ELECTRICAL)  SPOORNET



NOTE
THIS DRAWING TO BE READ IN CONJUNCTION WITH SPECIFICATION CEE.0166.

MATERIAL: SYNTHETIC RESIN BONDED GLASS-FIBRE FABRIC (WOVEN) TO SPEC BS 3396 OR EQUAL AND APPROVED

DO REF: T94/031 GEN TOL: LIN ± 0.5 ANG ± —

DRN: C de Koker CKD: JVT DATE: 94-07-06

ENG: F SLIER L O BORCHARD for CHIEF ENG

CENTRAL DRAWING OFFICE
INFRASTRUCTURE (ELECTRICAL) 

INSULATING WASHER

MAST BASE ANTI-ELECTROLYSIS ARRANGEMENT
4 OR 6 x M36 BOLT GROUP UC MASTS

AMENDMENTS

NO	NAME	DATE
1	JVT	95-04-13

SPECIFICATION IN
NOTE WAS CEE-
13B-4.
DO REF: G95/008.

2		16/11/2000
---	---	------------

STORES ITEM NO
ADDED.
DO REF: CDO/977

STORES ITEM NO.
54/414

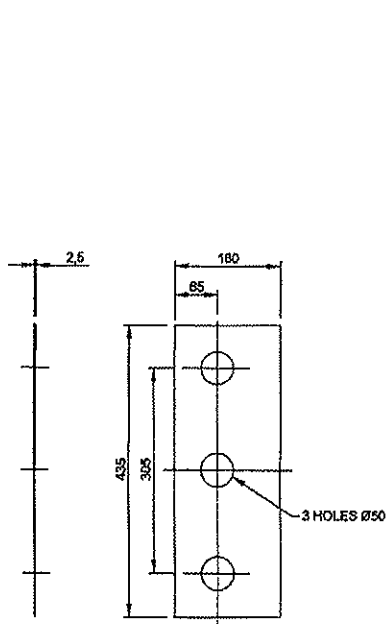
DIMENSIONS: mm
SCALE: 1:1



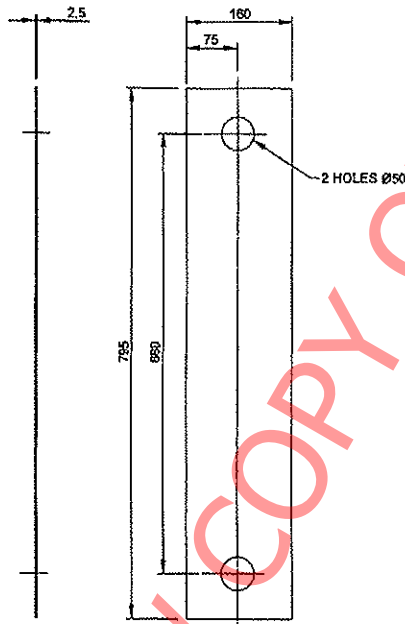
DRG NO CEE-
TU-143
SHT 3 OF 4

AMENDMENTS		
NO	NAME	DATE
3		10/11/2009

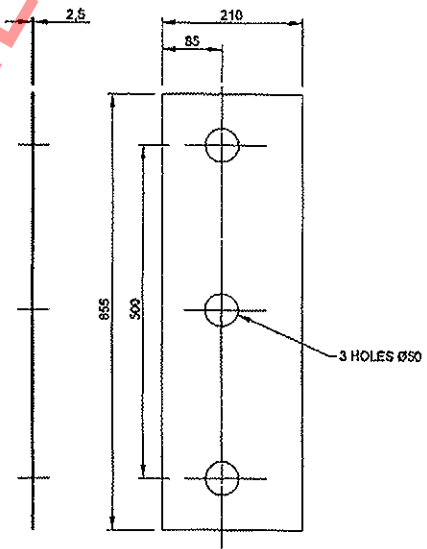
REDRAWN. I-BEAM AND RAIL MAST PADS ADDED. DATA TABLES ADDED AND TITLE CHANGED.
DO REF CDO/877



MAST	SIZE	BOLT GROUP	MAST BASE ASSEMBLY	INSULATION PAD ITEM NO
I-BEAM	203 x 152	4 BOLT	TMB-31	54/31713
I-BEAM	229 x 178	8 BOLT	TMB-37	
UC	209 x 204	4 BOLT	TMB-87	
UC	218 x 208	6 BOLT	TMB-68	



MAST	BOLT GROUP	MAST BASE ASSEMBLY	INSULATION PAD ITEM NO
RAIL	4 BOLT	TMB-35	54/32807



MAST	SIZE	BOLT GROUP	MAST BASE ASSEMBLY	INSULATION PAD ITEM NO
UC	254 x 254	8 BOLT	TMB-105	54/32819
UC	260 x 256			

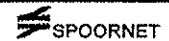
"PREVIEW COPY ONLY"

DIMENSIONS: mm
SCALE: 1:5

MATERIAL: SYNTHETIC RESIN BONDED GLASS-FIBRE FABRIC (WOVEN) TO SPEC B3 3396 OR EQUAL AND APPROVED

DO REF: TB4031	GEN TOL: LN ± 0.5	ANG ± -
DRN: C de KOKER	CHKD: JVT	DATE: 94-07-06
ENG: F SLIJER	L O BORCHARD for CHIEF ENG	

CENTRAL DRAWING OFFICE
INFRASTRUCTURE (ELECTRICAL)



INSULATING PADS

MAST BASE ANTI-ELECTROLYSIS ARRANGEMENT
4 OR 6 x M36 BOLT GROUP UC, RAIL AND I-BEAM MASTS



DRAWING NO: CEE-TU-143
SHEET 2 OF 4