



Transnet SOC Limited
Transnet RME

REQUEST FOR QUOTATION

TFR Official Tender Board.
TFR Tender Board.
Johannesburg.
2000

Registration Number: 1990/000900/06
Vat Number : 4720103177

Attention:

TFR Official Tender Board.
Telephone Number :
Fax Number :
Vendor Number :500000

Quotation Deadline Date : 24.10.2013
Quotation Deadline Time : 12:00

REQUEST for QUOTATION

Transnet RME

RFQ Number / Date

6000178580 / 17.10.2013

Contact Person / Telephone

Eddie Quinn / 035 905 3664

Return to VAX Number/EMAIL

0865159978 / TCPtendersRichardsBay@Transnet.net

Item	Material	Description	RFQ Qty	UoM	Required Del date	Confirm Del date	Unit Price Excl	Total Price Excl
00010		Steady Arm Assembly, Dr	260	ea	29.11.2013			
Supply, Deliver & Offload, 260 x Steady Arm Assemblies, as per the attached Drawing No: CEE-TND-28 (Supplied with inspection certificate). Deliver to: 1 Morris Road, Empangeni Rail, OHTE Store. Contact: Mr Pierre Crocker Tel: 083 279 0437 / 035-905 3638.								
00020		Hockey Stick Assembly,	240	ea	29.11.2013			
Supply, Deliver & Offload, 240 x Hockey Stick Assemblies, as per the attached Drawing No: CEE-TND-32 (Supplied with inspection certificate) Deliver to: 1 Morris Road, Empangeni Rail, OHTE Store. Contact: Mr Pierre Crocker Tel: 083 279 0437 / 035-905 3638.								
00030		Registering Arm, Drg. C	30	ea	29.11.2013			
Supply, Deliver & Offload, 30 x Registering Arms, as per the attached Drawing No: CEE-TMHH-6 Type 1.								



REQUEST FOR QUOTATION

Transnet SOC Limited
 Transnet RME
 Company
 TFR Official Tender Board.
 TFR Tender Board.
 Johannesburg.
 2000

Registration Number: 1990/000900/06
 Vat Number : 4720103177

Attention:
 TFR Official Tender Board.
 Telephone Number :
 Fax Number :
 Vendor Number :500000

Quotation Deadline Date : 24.10.2013
Quotation Deadline Time : 12:00

REQUEST for QUOTATION
 Transnet RME
RFQ Number / Date
 6000178580 / 17.10.2013
Contact Person / Telephone
 Eddie Quinn / 035 905 3664
Return to VAX Number/EMAIL
 0865159978 / TCPtendersRichardsBay@Transnet.net

Item	Material	Description	RFQ Qty	UoM	Required Del date	Confirm Del date	Unit Price Excl	Total Price Excl
		Deliver to: 1 Morris Road, Empangeni Rail, OHTE Store. Contact: Mr Pierre Crocker Tel: 083 279 0437 / 035-905 3638.						
00040		Registering Arm, Drg. C	30	ea	29.11.2013			
		Supply, Deliver & Offload, 30 x Registering Arms, as per the attached Drawing No: CEE-TMHH-6 Type 2. Deliver to: 1 Morris Road, Empangeni Rail, OHTE Store. Contact: Mr Pierre Crocker Tel: 083 279 0437 / 035-905 3638.						
00050		Registering Arm, Drg. C	170	ea	29.11.2013			
		Supply, Deliver & Offload, 170 x Registering Arms, as per the attached Drawing No: CEE-TMHH-6 Type 3. Deliver to: 1 Morris Road, Empangeni Rail, OHTE Store. Contact: Mr Pierre Crocker Tel: 083 279 0437 / 035-905 3638.						
00060		Registering Arm, Drg. C	170	ea	29.11.2013			
		Supply, Deliver & Offload, 170 x Registering Arms, as per the attached Drawing No: CEE-TMHH-6 Type 4.						



Transnet SOC Limited
Transnet RME
 Company
 TFR Official Tender Board.
 TFR Tender Board.
 Johannesburg.
 2000

REQUEST FOR QUOTATION

Registration Number: 1990/000900/06
 Vat Number : 4720103177

Attention:
 TFR Official Tender Board.
 Telephone Number :
 Fax Number :
 Vendor Number :500000

Quotation Deadline Date : 24.10.2013
Quotation Deadline Time : 12:00

REQUEST for QUOTATION

Transnet RME

RFQ Number / Date

6000178580 / 17.10.2013

Contact Person / Telephone

Eddie Quinn / 035 905 3664

Return to VAX Number/EMAIL

0865159978 / TCPtendersRichardsBay@Transnet.net

Item	Material	Description	RFQ Qty	UoM	Required Del date	Confirm Del date	Unit Price Excl	Total Price Excl
------	----------	-------------	---------	-----	-------------------	------------------	-----------------	------------------

Deliver to: 1 Morris Road, Empangeni Rail, OHTE Store.
 Contact: Mr Pierre Crocker Tel: 083 279 0437 / 035-905 3638.

00070		Registering Arm, Drg. C	30	ea	29.11.2013			
-------	--	-------------------------	----	----	------------	--	--	--

Supply, Deliver & Offload, 30 x Registering Arms, as per the attached Drawing No: CEE-TMHH-6 Type 5.
 Deliver to: 1 Morris Road, Empangeni Rail, OHTE Store.
 Contact: Mr Pierre Crocker Tel: 083 279 0437 / 035-905 3638.

00080		Registering Arm, Drg. C	30	ea	29.11.2013			
-------	--	-------------------------	----	----	------------	--	--	--

Supply, Deliver & Offload, 30 x Registering Arms, as per the attached Drawing No: CEE-TMHH-6 Type 6.
 Deliver to: 1 Morris Road, Empangeni Rail, OHTE Store.
 Contact: Mr Pierre Crocker Tel: 083 279 0437 / 035-905 3638.

Transnet Limited t/a Transnet Freight Rail (R.M.E.) # Richards Bay, hereby invite your company to submit a detailed quotation for:

The Supply, Delivery & Offloading of Various Specialised Overhead Track Brackets and Fittings. (All to be delivered with Approved Test Certificates.)
 Delivered to 1 Morris Road, Empangeni Rail, OHTE Store.



REQUEST FOR QUOTATION

Transnet SOC Limited
 Transnet RME
 Company
 TFR Official Tender Board.
 TFR Tender Board.
 Johannesburg.
 2000

Registration Number: 1990/000900/06
 Vat Number : 4720103177

Attention:
 TFR Official Tender Board.
 Telephone Number :
 Fax Number :
 Vendor Number :500000

Quotation Deadline Date : 24.10.2013
Quotation Deadline Time : 12:00

REQUEST for QUOTATION
 Transnet RME
RFQ Number / Date
 6000178580 / 17.10.2013
Contact Person / Telephone
 Eddie Quinn / 035 905 3664
Return to VAX Number/EMAIL
 0865159978 / TCPtendersRichardsBay@Transnet.net

Item	Material	Description	RFQ Qty	UoM	Required Del date	Confirm Del date	Unit Price Excl	Total Price Excl
------	----------	-------------	---------	-----	-------------------	------------------	-----------------	------------------

All technical queries relating to this invitation may be addressed to;
 Mr. Pierre Crocker Tel: 083 279 0437 / 035-905 3638.

All tender related queries pertaining to this invitation may be addressed to;
 Mr. Eddie Quinn, Tel: 035 # 905 3664.

The closing time for receipt of your official quotations is 12:00 hours on Thursday, 24 October 2013.

Telephonic and late quotes will not be accepted.
 All quotations should be clearly marked, and may be dropped in our tender box, or alternatively forwarded to:
 Me Yogeshnie Gengan, Tender & Fax Assistant,
 Fax No: 086 515 9978 and / or
 e-mailed to: TCPtendersRichardsBay@transnet.net

Physical address for delivering quotations, if required, is:

Transnet Capital Projects Richards Bay
 Tender Box in Main Foyer
 Old Naval Base,
 Commodores Close,
 Meerensee,

The contractor's address and identification details have to be shown on each quotation submitted.



Transnet SOC Limited
Transnet RME
 Company
 TFR Official Tender Board.
 TFR Tender Board.
 Johannesburg.
 2000

REQUEST FOR QUOTATION

Registration Number: 1990/000900/06
Vat Number : 4720103177

Attention:
 TFR Official Tender Board.
 Telephone Number :
 Fax Number :
 Vendor Number :500000

Quotation Deadline Date : 24.10.2013
Quotation Deadline Time : 12:00

REQUEST for QUOTATION
 Transnet RME
RFQ Number / Date
 6000178580 / 17.10.2013
Contact Person / Telephone
 Eddie Quinn / 035 905 3664
Return to VAX Number/EMAIL
 0865159978 / TCPtendersRichardsBay@Transnet.net

Item	Material	Description	RFQ Qty	UoM	Required Del date	Confirm Del date	Unit Price Excl	Total Price Excl
------	----------	-------------	---------	-----	-------------------	------------------	-----------------	------------------

No. Bc

Please supply the following documents with your quotation submitted;

- Valid Tax Clearance certificate.
- Copy of your latest B.B.B.E.E. Certificate.

Failing to submit any of the documents mentioned above, could result in your quotation to be disqualified / not accepted.

Note: #Transnet may not necessarily accept the lowest or any other offer and reserves the right to select in its favor any or, a portion of any offer made"

If you have been contacted directly by the Supply Chain Office (Via a RFQ.), and you are unable to quote for these items, please submit a "NO QUOTE".

Otherwise we look forward to receive your detailed quote by the date and time stated.

Yours faithfully,

"PREVIEW COPY"



Transnet SOC Limited
Transnet RME
 Company
 TFR Official Tender Board.
 TFR Tender Board.
 Johannesburg.
 2000

REQUEST FOR QUOTATION

Registration Number: 1990/000900/06
Vat Number : 4720103177

Attention:

TFR Official Tender Board.
 Telephone Number :
 Fax Number :
 Vendor Number :500000

Quotation Deadline Date : 24.10.2013
Quotation Deadline Time : 12:00

REQUEST for QUOTATION

Transnet RME

RFQ Number / Date

6000178580 / 17.10.2013

Contact Person / Telephone

Eddie Quinn / 035 905 3664

Return to VAX Number/EMAIL

0865159978 / TCPtendersRichardsBay@Transnet.net

Delivery Address

TFR RME Richards Bay
 Old Naval Base, Commodores Clo
 Meerensee, Richards Bay
 3900

This RFQ is subject to the following conditions:

1. Price/s : The price/s quoted in SA currency and is excluding of V.A.T
2. Delivery : The price/s quoted should include delivery cost to the delivery address stated on the RFQ
3. Returnables : A valid tax clearance certificate and BBBEE certificate from a SANAS accredited verification agency attached to quotation for all quotes above R30 000.
Please note that only the official Transnet RFQ will be accepted and all other correspondence to be attached to the original
4. Safety : To confirm to Transnet Capital Projects Health & Safety plan and specification; HAS-std-0001, copy available on request.
5. Confirmation: To confirm your participation in this tender process please sign and return this document as immediate effect prior to the quotation deadline.
6. Negotiations: The Employer may elect to negotiate the final terms of the contract/order with the preferred tenderer in accordance with Clauses F.2.17 and F.3.13 of the CIDB Standard Conditions of Tender. A copy of which is available upon request.

 Signature

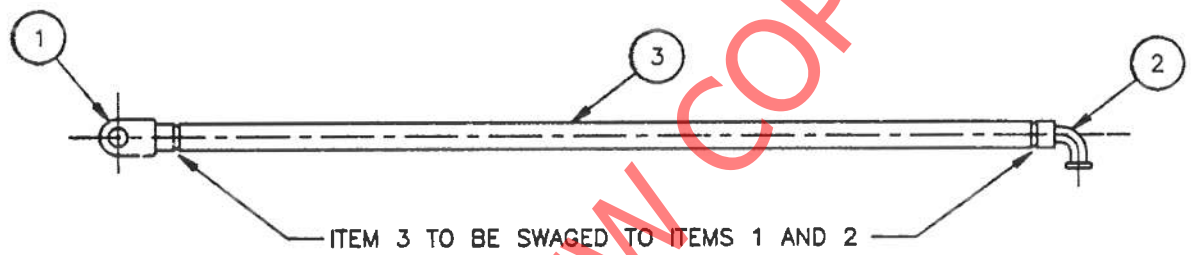
 Date

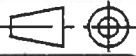
REQ 10348417

ITEM	DESCRIPTION	QTY	STORE ITEM NO.	DRG NO CEE--
1	CLEVIS FITTING	1	_____	TNB-62
2	SWIVEL CLIP	1	_____	TND-29
3	STAINLESS STEEL TUBE $\varnothing 25,4$ O.D. WALL THK 2,03 Y 855 LG	1	_____	_____

AMENDMENTS		
NO	NAME	DATE
1	JVT	97-04-07

REVISED. DRG NO. WAS TN-169.
DO REF: T96/001



STORES ITEM NO 54/11680
DIMENSIONS: mm SCALE: 1:5
 A3
DRAWING NO CEE-- TND-28
SHEET - OF -

DO REF: T80/65	GEN TOL: LIN $\pm 1,0$	ANG $\pm 1^\circ$
DRN: T HUMAN	CKD: R McMILLAN	DATE: 80-02-13
ENG: _____	GA WILLIAMS for CHIEF ENG	
INFRASTRUCTURE (ELECTRICAL)		



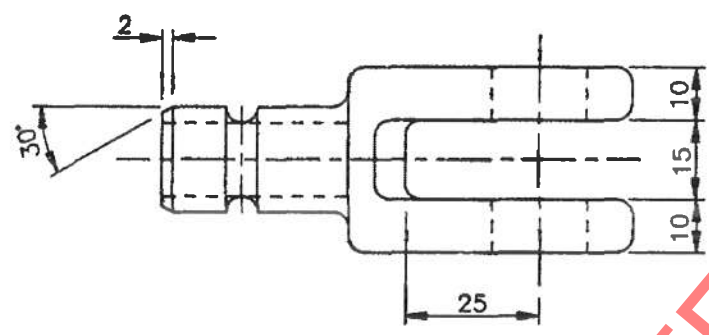
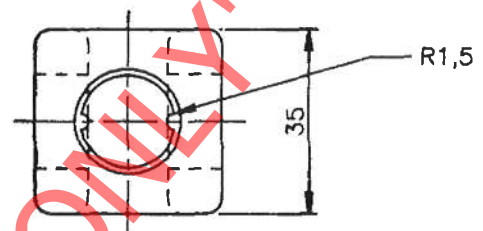
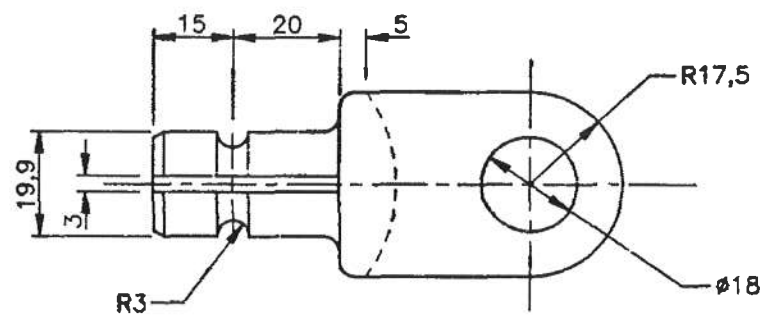
STEADY ARM ASSEMBLY

T0001083

REQ: 10348417/8

AMENDMENTS		
NO	NAME	DATE
1	JVT	97-04-07

REVISED. DRG NO. WAS TN-173.
DO REF: T96/001



- NOTES
- 1 ALL UNSPECIFIED RADII R3.
 - 2 THE FOLLOWING PERMANENT MARKINGS MUST APPEAR ON THIS ARTICLE:
 - a) SPOORNET.
 - b) MAKER'S IDENTIFICATION.
 - c) BATCH NUMBER.

FINISH
ZINC COAT TO SPEC SABS TO CONDITION IN SITU.

DIMENSIONS: mm
SCALE: 1:1

MATERIAL: ITEM NO _____, SPHEROIDAL GRAPHITE IRON TO SPEC SABS 936 GRADE SG 50

DO REF: T80/65 GEN TOL: LIN± 1,0 ANG± 1°
DRN: T HUMAN CKD: _____ DATE: 80-02-11
ENG: _____ GA WILLIAMS for CHIEF ENG

CLEVIS FITTING: DEAD END

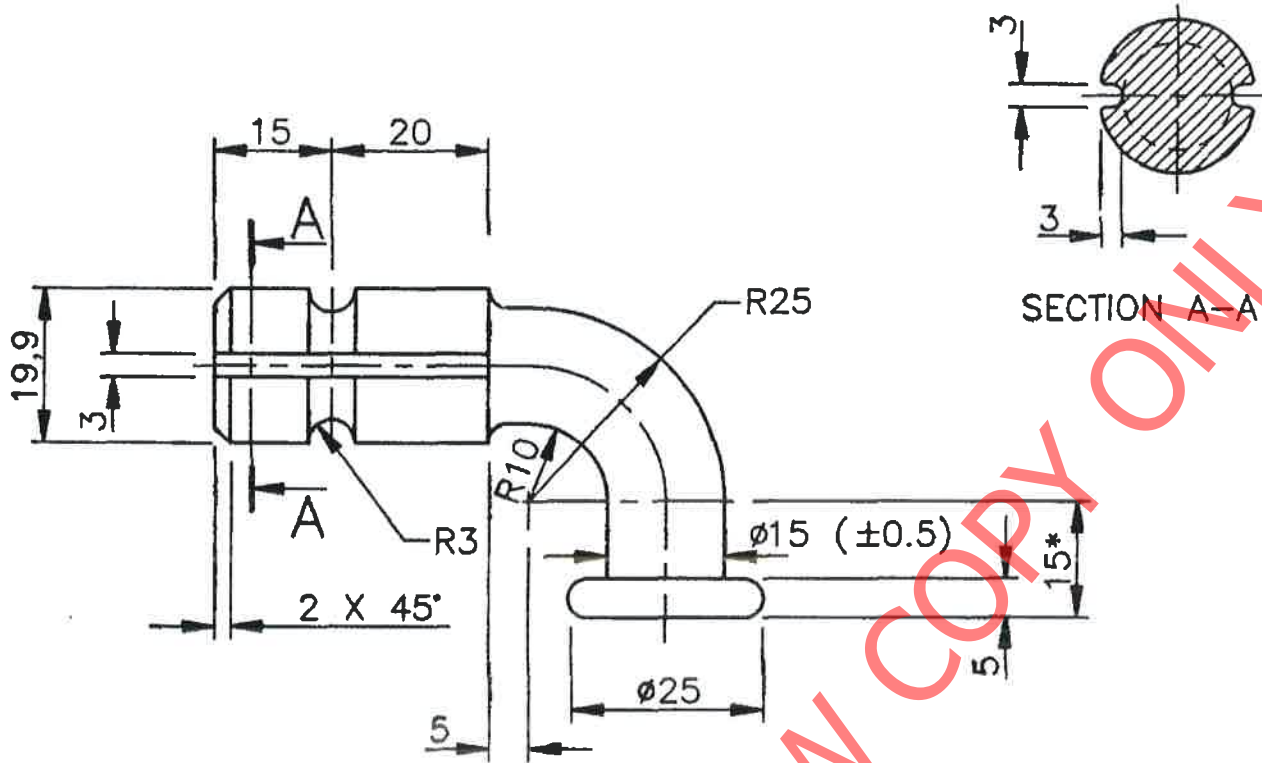
STEADY ARMS AND HOCKEY STICKS

INFRASTRUCTURE (ELECTRICAL) SPOORNET

A3
DRAWING NO CEE-
TNB-62
SHEET - OF -

T0001084

Rev. 10348417/18



* NO FLASH OR BURRS OVER THIS DIMENSION

NOTES
CASTING TO BE CLEARLY MARKED SPOORNET

AMENDMENTS

NO	NAME	DATE
1	JVT	97-04-07

REVISED. DRG NO WAS TN-174.
DO REF: T96/001

STORES ITEM NO.
54/11631

DIMENSIONS: mm
SCALE: 1:1



DRG NO CEE-
TND-29

SHT — OF —

MATERIAL: ITEM NO 11/ — — — — — , DIE CASTING Cu-Ni-Si ALLOY TO SPEC CEE.0063

DO REF: T80/65 GEN TOL: LIN ± 0,8 ANG ± 1°

DRN: PM MARTIN CKD: R McMILLAN DATE: 80-02-11

ENG: — — — — — GA WILLIAMS for CHIEF ENG

SWIVEL CLIP STEM

FOR HOCKEY STICK/STEADY ARM

INFRASTRUCTURE
(ELECTRICAL)



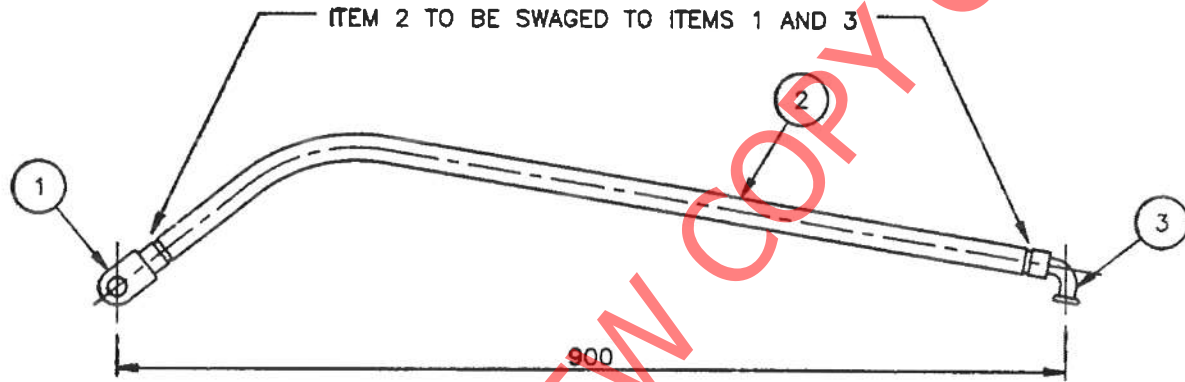
T0001085

REQ: 10348418

ITEM	DESCRIPTION	QTY	STORE ITEM NO.	DRG NO CEE-
1	CLEVIS FITTING	1	_____	INB-62
2	HOCKEY STICK TUBE	1	_____	TND-31
3	SWIVEL CLIP STEM	1	_____	TND-29

AMENDMENTS		
NO	NAME	DATE
1	JVT	97-04-07

REVISED. DRG NO. WAS TN-170.
DO REF: T96/001



STORES ITEM NO
54/11692

DIMENSIONS: mm
SCALE: 1:5

DO REF: T80/65 GEN TOL: LIN± 1,0 ANG± 1°
 DRN: P MARTIN CKD: R McMILLAN DATE: 80-02-13
 ENG: _____ GA WILLIAMS for CHIEF ENG

HOCKEY STICK ASSEMBLY

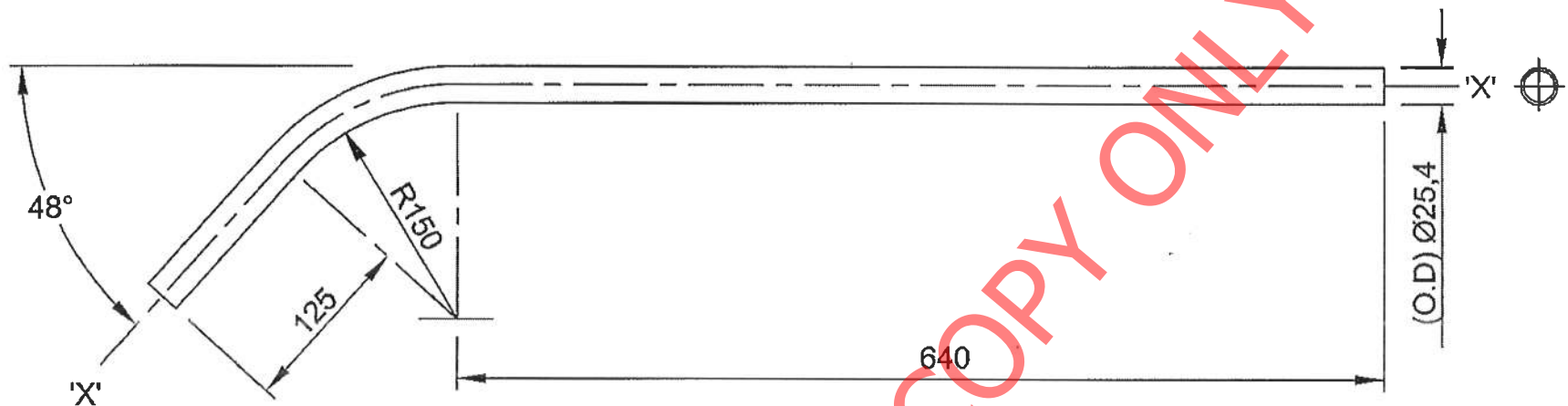
A3

DRAWING NO CEE-
TND-32

SHEET — OF —

T0000208

REQ: 10348418



NOTE
TUBE TO BE BENT SO THAT INTERNAL FLASH LIES
ALONG THE HORIZONTAL CENTRE LINE X - X

AMENDMENTS

NO	NAME	DATE
1	JVT	97-04-07
2	<i>[Signature]</i>	10/08/09

REVISED. DRG NO
WAS TMHH-4.
DO REF: T96/001

RADIUS R150 ADDED
ECP REF: BBB5937
DO REF: CDO/3587

DIMENSIONS: mm
SCALE: 1:5

MATERIAL: ITEM NO 13/23479 STAINLESS STEEL TUBE Ø25,4 X 900 L X 2,03 THK

DO REF: T80/65	GEN TOL: LIN± 0,8	ANG± 1°
DRN: T HUMAN	CKD: R McMILLAN	DATE: 80-03-13
ENG: _____	GA WILLIAMS	for CHIEF ENG

METALLIC TUBE
FOR HOCKEY STICK

CENTRAL DRAWING OFFICE SPOORNET



DRG NO CEE-
TND-31

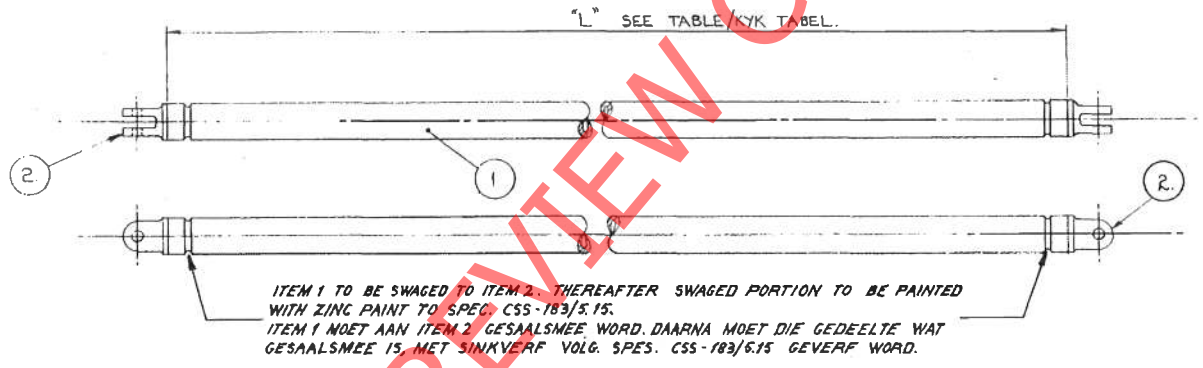
SHT - OF -

REQ. 10348419/20/21/22/23/24

ITEM	DESCRIPTION / BESKRYWING	QTY HVLD.	STORES NO. MAGASYN	DRG. NO. (EE. TLK.)	AMENDMENTS WYSIGINGS
1.	TUBE STAINLESS STEEL 304 WELDED SEAM. OD 48,26mm X 3,68 WT	1	M/54/7303		NO NAME NAAM DATE DATUM 1 B.Stewart 81-07-09.
2.	CLEVIS FITTING, DEAD END VURKTOEBEHORE, DOOIE ENT.	2.		T08-75	ITEM 1 MATERIAL AND TITLE ALTERED. ITEM 1 MATERIAAL EN TITEL VERANDER. D.O. REF. T1/81/29 TK. VERW. 2. <i>Plund</i> 85-02-12

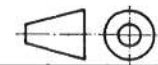
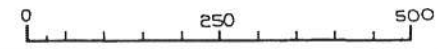
TYPE TYPE	MAST TO TRACK (RS. MAS - NA SPOK) - HARTIYNE	PULL-OFF CANTILEVER TREK - VRYDRAER LENGTH OF TUBE "L" LENGTE VAN PYP	PUSH - PULL-OFF TREK-STOOTVRYDRAER LENGTH OF TUBE "L" LENGTE VAN PYP
I	2750	1770	
II			2970
III	3200	2100	
IV			3300
V	3700	2470	
VI			3670

FINISH / AFWERKING.



"PREVIEW COPY ONLY"

DIMENSIONS : MILLIMETRES SOUTH AFRICAN TRANSPORT SERVICES.
AFMETINGS : MILLIMETER SUID-ARFRIKAANSE VERVOEDIENSTE.



DRN. GET. T. Human.	GEN TOLERANCES : LIN ± 0.3 ALG. TOLERANSIES : ANG / HOEK ± 1°
TRCD MGT T. Human.	D.O. REF. T1/80/15 TK. VERW. IR.
CRD. MGS B.Stewart.	DATE DATUM 80-11-03
CHIEF ELECTRICAL ENGINEER ELEKTRIESE HOOFINGENIEUR	<i>all</i> JOHANNESBURG for/as.

REGISTERING ARM ASSEMBLY
3KV DC AUTO TENSIONED CONSTRUCTION
REGISTREERARMSAMESTEL
3KV GS OUTOMATIESE SPANNINGKONSTRUKSIE

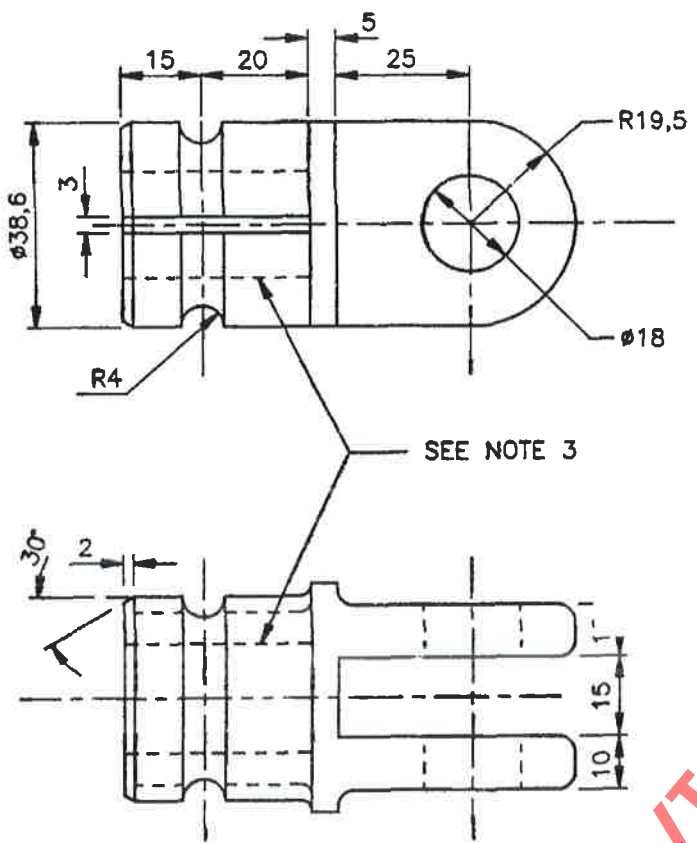
CEE - TMG - 99&100
CEE - TMG - 108&109.
CLASS - ASSY - DRG.
KLAS - SAMEST. - TEK.

MODULUS ITEM NO

PREVIOUS ITEM NO
VORIGE

DRAWING TEKENING NO CEE -
TMHH - 6.

Req: 103 L8419/20/21/22/23/24.



NOTES

1. UNSPECIFIED RADII TO BE R3.
2. CORED: IF REQUIRED FOR CASTING PURPOSES.
3. THE FOLLOWING PERMANENT MARKINGS MUST APPEAR ON THIS ARTICLE:
(a) SPOORNET (b) MARKER'S IDENTIFICATION (c) BATCH NUMBER.
4. FINISH: ZINC COAT TO SABS 763 FOR CONDITIONS IN SITU.

AMENDMENTS

NO	NAME	DATE
1	JVT	97-04-07

REVISED, DRG NO WAS CEE-TN-172.
DO REF: T96/001

STORES ITEM NO
54/011303

DIMENSIONS: mm
SCALE: 1:1

A3

DRAWING NO CEE-
TNB-75

SHEET — OF —

MATERIAL: SPHEROIDAL GRAPHITE IRON TO SPEC SABS 936 GRADE 50

DO REF: T80/65 GEN TOL: LIN ± 1,0 ANC ± 1'

DRN: P MARTIN CKD: _____ DATE: 80-02-11

ENG: _____ GA WILLIAMS for CHIEF ENG

CLEVIS FITTING: DEAD END

REGISTERING ARMS

INFRASTRUCTURE
(ELECTRICAL)



T0001116