



Transnet SOC Limited
Transnet RME

REQUEST FOR QUOTATION

TFR Official Tender Board,
TFR Tender Board
Johannesburg,
2000

Registration Number: 1990/000900/06
Vat Number : 4720103177

Attention:
TFR Official Tender Board.
Telephone Number :
Fax Number :
Vendor Number :500000

Quotation Deadline Date : 24.10.2013
Quotation Deadline Time : 12:00

REQUEST for QUOTATION
Transnet RME
RFQ Number / Date
6000178544 / 17.10.2013
Contact Person / Telephone
Eddie Quinn / 035 905 3664
Return to VAX Number/EMAIL
0865159978 / TCPtendersRichardsBay@Transnet.net

Item	Material	Description	RFQ Qty	UoM	Required Del date	Confirm Del date	Unit Price Excl	Total Price Excl
00010		25 KV AC Vandal Proof T	525	ea	01.11.2013			
<p>Supply, Deliver and Offload, 525 x 25 KV AC Vandal Proof Tension Insulators (Composite). Minimum Creepage Path 1476mm, Very Heavy Pollution as per Drawing No: BBB0281. End Cap Configuration Steel HDG, Square Tongue / Clevis. Delivered to 1 Morris Road, Empangeni Rail, OHTE Store. Contact: Mr Pierre Crocker Tel: 083 279 0437 / 035-905 3638.</p>								
00020		25 KV AC Vandal Proof	560	ea	01.11.2013			
<p>Supply, Deliver and Offload, 560 x 25 KV AC Vandal Proof Compression Insulators (Composite). Minimum Creepage Path 1476mm. Very Heavy Pollution, as per Drawing No: BBB0429. End Cap Configuration Steel HDG, Square Tongue / Pipe Fitting as per Drawing No: BBB0430. Delivered to: 1 Morris Road, Empangeni Rail, OHTE Store. Contact: Mr Pierre Crocker Tel: 083 279 0437 / 035-905 3638.</p>								



REQUEST FOR QUOTATION

Transnet SOC Limited
 Transnet RME
 Company
 TFR Official Tender Board.
 TFR Tender Board
 Johannesburg.
 2000

Registration Number: 1990/000900/06
 Vat Number : 4720103177

Attention:
 TFR Official Tender Board.
 Telephone Number :
 Fax Number :
 Vendor Number :500000

Quotation Deadline Date : 24.10.2013
Quotation Deadline Time : 12:00

REQUEST for QUOTATION
 Transnet RME
RFQ Number / Date
 6000178544 / 17.10.2013
Contact Person / Telephone
 Eddie Quinn / 035 905 3664
Return to VAX Number/EMAIL
 0865159978 / TCPtendersRichardsBay@Transnet.net

Item	Material	Description	RFQ Qty	UoM	Required Del date	Confirm Del date	Unit Price Excl	Total Price Excl
------	----------	-------------	---------	-----	-------------------	------------------	-----------------	------------------

Transnet Limited t/a Transnet Freight Rail (R.M.E.) # Richards Bay, hereby invite your company to submit a detailed quotation for:

The Supply, Delivery & Offloading of 525 x Tension, and 560 Compression, Vandal Proof Compression Insulators (Composite). Minimum Creepage Path 1476mm.

All technical queries relating to this invitation may be addressed to;
 Mr. Pierre Crocker Tel: 083 279 0437 / 035-905 3638.

All tender related queries pertaining to this invitation may be addressed to;
 Mr. Eddie Quinn, Tel: 035 # 905 3664.

The closing time for receipt of your official quotations is 12:00 hours on Thursday, 24 October 2013.

Telephonic and late quotes will not be accepted.
 All quotations should be clearly marked, and may be dropped in our tender box, or alternatively forwarded to:
 Me Yogeshnie Gengan, Tender & Fax Assistant,
 Fax No: 086 515 9978 and / or
 e-mailed to: TCPtendersRichardsBay@transnet.net

Physical address for delivering quotations, if required, is:

Transnet Capital Projects Richards Bay
 Tender Box in Main Foyer
 Old Naval Base,
 Commodores Close,



Transnet SOC Limited
Transnet RME
 Company
 TFR Official Tender Board.
 TFR Tender Board
 Johannesburg.
 2000

REQUEST FOR QUOTATION

Registration Number: 1990/000900/06
Vat Number : 4720103177

Attention:
 TFR Official Tender Board.
 Telephone Number :
 Fax Number :
 Vendor Number :500000

Quotation Deadline Date : 24.10.2013
Quotation Deadline Time : 12:00

REQUEST for QUOTATION
 Transnet RME
RFQ Number / Date
 6000178544 / 17.10.2013
Contact Person / Telephone
 Eddie Quinn / 035 905 3664
Return to VAX Number/EMAIL
 0865159978 / TCPtendersRichardsBay@Transnet.net

Item	Material	Description	RFQ Qty	UoM	Required Del date	Confirm Del date	Unit Price Excl	Total Price Excl
------	----------	-------------	---------	-----	-------------------	------------------	-----------------	------------------

Meerensee,

The contractor's address and identification details have to be shown on each quotation submitted.

Please supply the following documents with your quotation submitted;

- Valid Tax Clearance certificate.
- Copy of your latest B.B.B.E.E. Certificate.

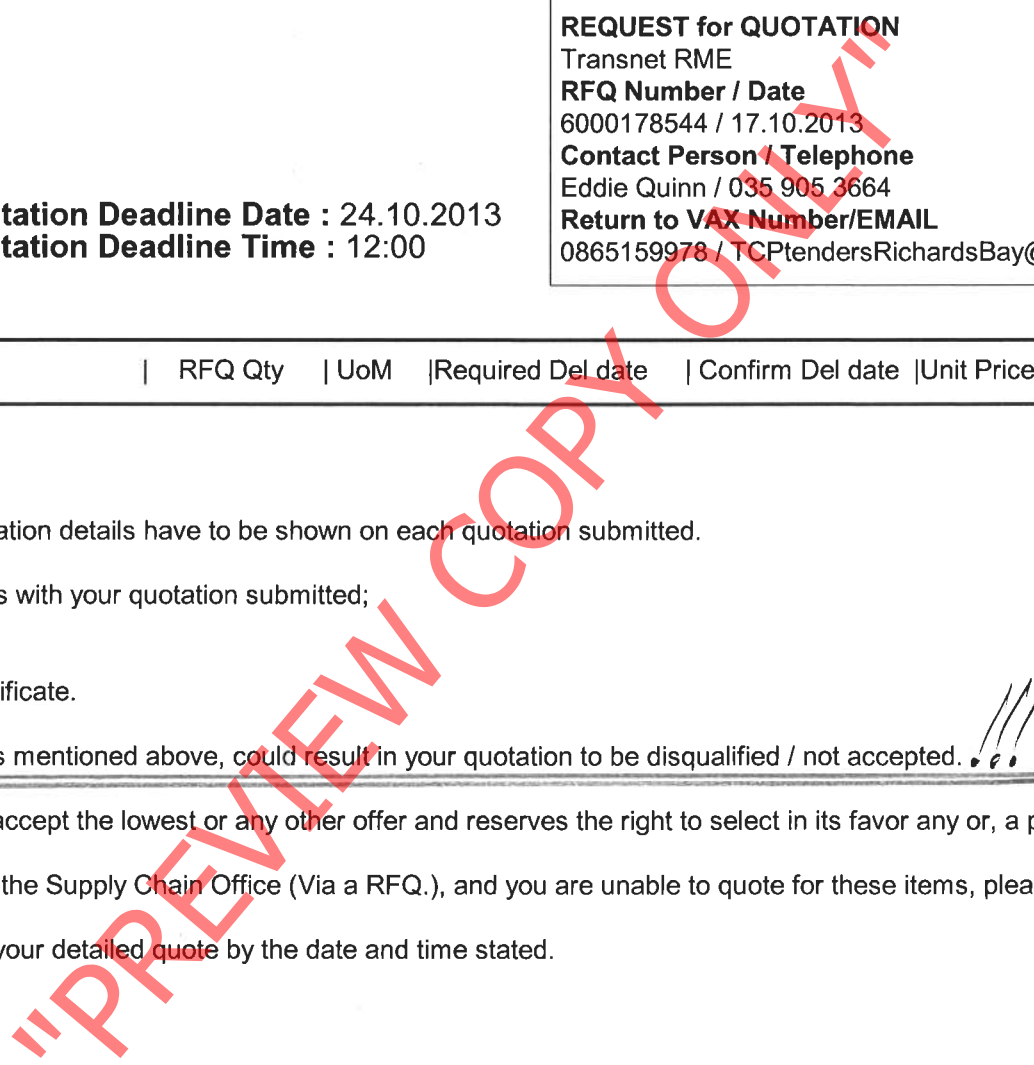
Failing to submit any of the documents mentioned above, could result in your quotation to be disqualified / not accepted.

Note: #Transnet may not necessarily accept the lowest or any other offer and reserves the right to select in its favor any or, a portion of any offer made"

If you have been contacted directly by the Supply Chain Office (Via a RFQ.), and you are unable to quote for these items, please submit a "NO QUOTE".

Otherwise we look forward to receive your detailed quote by the date and time stated.

Yours faithfully,



N.B.



REQUEST FOR QUOTATION

Transnet SOC Limited
 Transnet RME
 Company
 TFR Official Tender Board.
 TFR Tender Board
 Johannesburg.
 2000

Registration Number: 1990/000900/06
 Vat Number : 4720103177

Attention:
 TFR Official Tender Board.
 Telephone Number :
 Fax Number :
 Vendor Number :500000

Quotation Deadline Date : 24.10.2013
Quotation Deadline Time : 12:00

REQUEST for QUOTATION
 Transnet RME
RFQ Number / Date
 6000178544 / 17.10.2013
Contact Person / Telephone
 Eddie Quinn / 035 905 3664
Return to VAX Number/EMAIL
 0865159978 / TCPtendersRichardsBay@Transnet.net

Delivery Address

TFR RME Richards Bay
 Old Naval Base, Commodores Clo
 Meerensee, Richards Bay
 3900

This RFQ is subject to the following conditions:

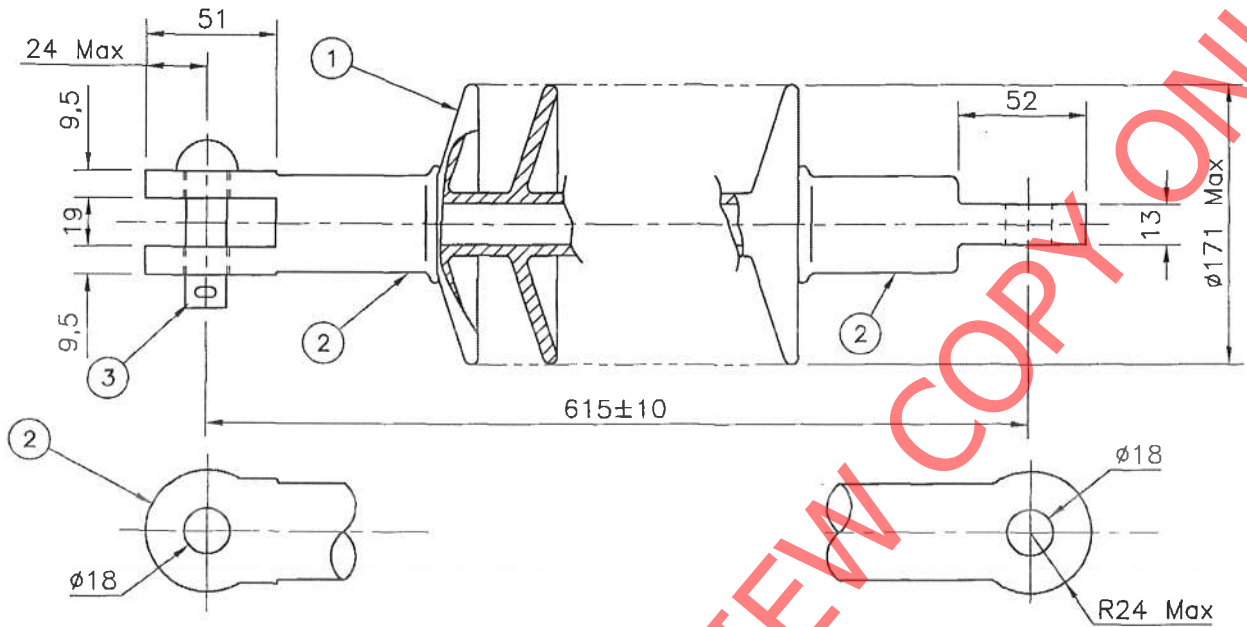
1. Price/s : The price/s quoted in SA currency and is excluding of V.A.T
2. Delivery : The price/s quoted should include delivery cost to the delivery address stated on the RFQ
3. Returnables : A valid tax clearance certificate and BBBEE certificate from a SANAS accredited verification agency attached to quotation for all quotes above R30 000.
Please note that only the official Transnet RFQ will be accepted and all other correspondence to be attached to the original
4. Safety : To confirm to Transnet Capital Projects Health & Safety plan and specification; HAS-std-0001, copy available on request.
5. Confirmation: To confirm your participation in this tender process please sign and return this document as immediate effect prior to the quotation deadline.
6. Negotiations: The Employer may elect to negotiate the final terms of the contract/order with the preferred tenderer in accordance with Clauses F.2.17 and F.3.13 of the CIDB Standard Conditions of Tender. A copy of which is available upon request.

Signature _____

Date _____

REQ: 10347759

ITEM	DESCRIPTION	QTY	STORES ITEM NO	DRG NO CEE-
1	INSULATOR: ULTRA VIOLET RESISTANT, WATER REPELLANT, SYNTHETIC RUBBER INSULATION e.g. SILICON RUBBER	AS REQUIRED		
2	END FITTINGS: CORROSION RESISTANT e.g. AL ALLOY, BRONZE OR GALVANISED STEEL OR HOLES WITH GALVANISED STEEL OR STAINLESS STEEL INSERTS	AS REQUIRED		
3	CLEVIS PIN WITH LOCKING SPLIT PIN, $\phi 16$	1	54/4020	TX-66



DESIGN INFORMATION

MINIMUM TENSILE BREAKING LOAD	-----	60kN
MINIMUM CREEPAGE PATH		
MEDIUM POLLUTION	-----	952mm
HEAVY POLLUTION	-----	1 190mm
VERY HEAVY POLLUTION	-----	1 476mm
MINIMUM ARCING DISTANCE	-----	420mm
LIGHTNING IMPULSE WITHSTAND VOLTAGE	-----	250kV
WITHSTAND ALTERNATING VOLTAGE UNDER RAIN	---	95kV

TABLE A	
END CAP CONFIGURATION	STORES ITEM NO
ROUND CLEVIS / ROUND TONGUE	54/032476
ROUND CLEVIS / SQUARE TONGUE	54/032488
SQUARE TONGUE / SQUARE TONGUE	54/32605

NOTES

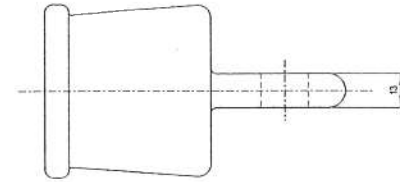
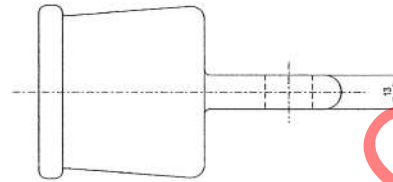
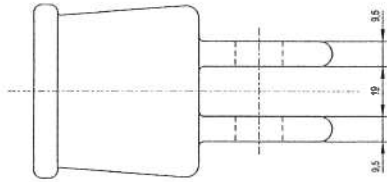
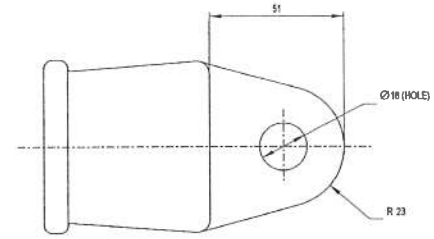
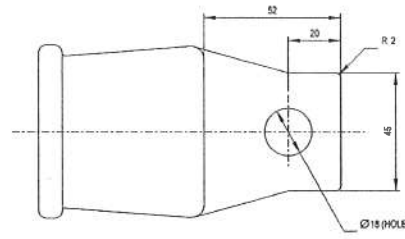
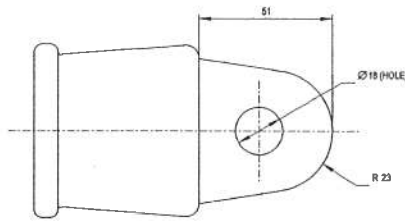
1. THIS INSULATOR TO BE USED FOR ALL APPLICATIONS IN HIGH RISK AREAS (e.g. SUSPENSION, REGISTRATION AND MAKE-OFF). (NOT TO BE USED ON COMPRESSION ARRANGEMENTS i.e. PPO ARRANGEMENTS ON CURVED TRACKS).
2. INSULATOR TO BE TESTED IN ACCORDANCE WITH IEC 1109 STANDARD FOR COMPOSITE INSULATORS.
3. VANDAL PROOF PROPERTIES OF INSULATOR TO BE EQUAL OR BETTER THAN THE "RODURFLEX" TRACTION INSULATORS.
4. THIS IS A TYPICAL DRG ONLY (DETAIL SHED AND END FITTINGS DESIGN TO SUIT APPLICATION).

DO REF: CDO/176	GEN TOL: LIN± 1	ANG± —
DRN: DA Ballabio	CKD: JD v Dyk	DATE: 99-08-11
ENG: WF MANS	HA SLIER	for CHIEF ENG

VANDAL PROOF TENSION INSULATOR (COMPOSITE)
25 kV AC; TONGUE AND CLEVIS

VERSION		
No.	NAME	DATE
2	<i>[Signature]</i>	11/01/00
TABLE A CHANGED CDO/459		
STORES ITEM No. SEE TABLE A		
DIMENSIONS: mm SCALE: NTS		
		A3
DRAWING NO BBB0281		
VERSION 2		

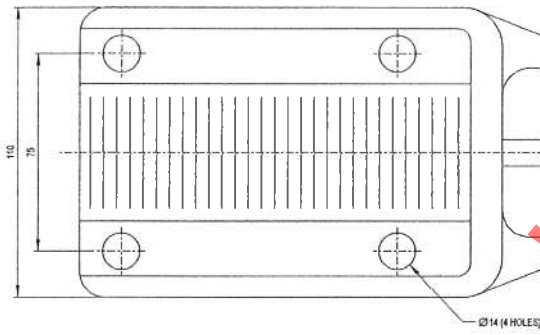
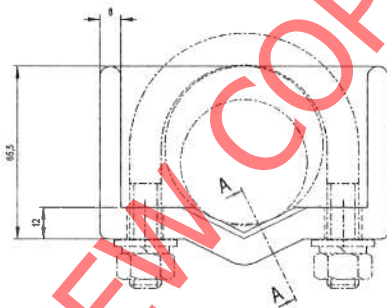
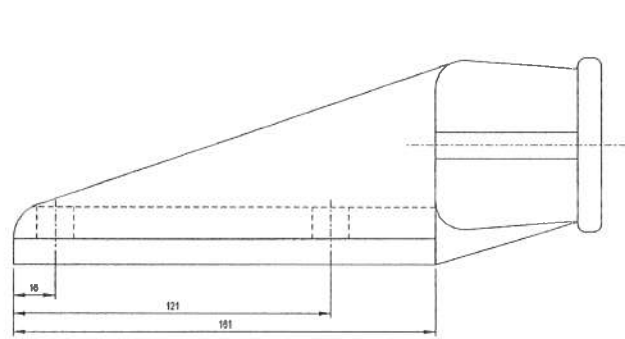
REF: 103 47760



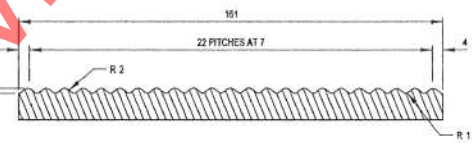
CLEVIS

SQUARE TONGUE

ROUND TONGUE



PIPE FITTING



SECTION A-A

- NOTES
1. Internal and external dimensions of cap to suit insulator requirements and to be left to the manufacturer.
 2. The following permanent markings must appear on this article:
 - A) Spoonnet
 - B) Maker's identification
 - C) Batch number
 3. Finish: Hot dip galvanneal to Spec: SANS 121
 4. For use with composite compression insulator. See Drg no BBB0420 & BBB0500

© COPYRIGHT PROTECTED. PREPARED BY CENTRAL DRAWING OFFICE

DIMENSIONS : mm	SCALE : 1:1
TOLERANCE : LIN ± 1 ANG ±	ITEM NO : -
MATERIAL : -	DO REF : CDO/S300
VERSION INFO : Redrawn and revised 23kV AC added to title	CP REF : BBB0400
	DRAWN : CJ Mavis
	DESIGNED : -
	CHECKED : JD v Dyk

DATE : 22/05/07
APPROVED
AUTHORISED

CLEVIS, TONGUE AND PIPE END FITTINGS FOR COMPOSITE VANDAL PROOF COMPRESSION INSULATORS
3kV DC AND 25kV AC



REQ: 1034776

ITEM	DESCRIPTION	QTY	STORES ITEM NO	DRG NO CEE-
1	INSULATOR: ULTRA VIOLET RESISTANT, WATER REPELLANT, SYNTHETIC RUBBER INSULATION e.g. SILICON RUBBER	AS REQUIRED	_____	_____
2	END FITTINGS: CORROSION RESISTANT e.g. AL ALLOY, BRONZE OR GALVANISED STEEL OR HOLES WITH GALVANISED STEEL OR STAINLESS STEEL INSERTS (SEE TABLE A)	AS REQUIRED	_____	BBB0430
3	CLEVIS PIN WITH LOCKING SPLIT PIN, $\phi 16$	1	54/4020	TX-66

DESIGN INFORMATION

MINIMUM TENSILE BREAKING LOAD	-----	22,24kN
MINIMUM TENSILE WORKING LOAD	-----	8,89kN
COMPRESSION LOAD	-----	23,5kN
MINIMUM BENDING LOAD	-----	2kNm
MINIMUM CREEPAGE PATH		
MEDIUM POLLUTION	-----	952mm
HEAVY POLLUTION	-----	1 190mm
VERY HEAVY POLLUTION	-----	1 476mm
MINIMUM ARCING DISTANCE	-----	420mm (Min)
LIGHTNING IMPULSE WITHSTAND VOLTAGE	-----	250kV
WITHSTAND ALTERNATING VOLTAGE UNDER RAIN	---	95kV

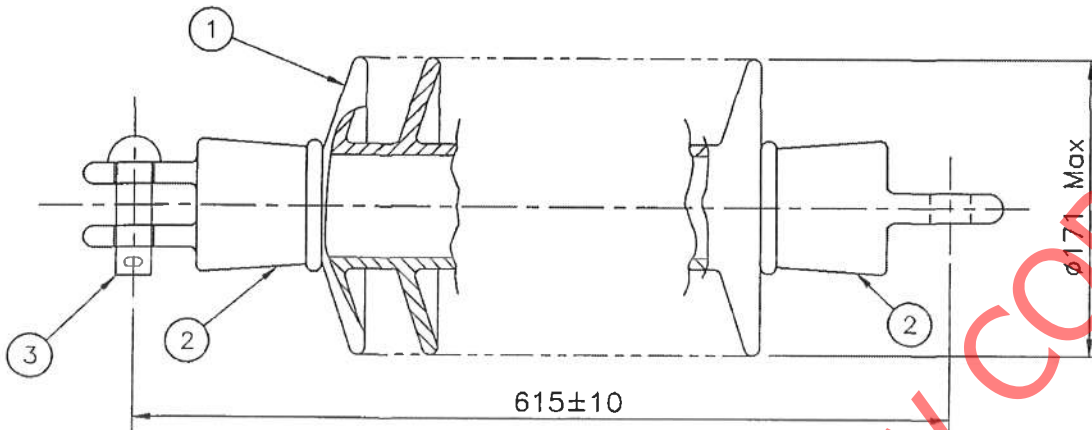


TABLE A (SEE DRG NO BBB0430)	
END CAP CONFIGURATION	STORES ITEM NO
ROUND TONGUE / PIPE FITTING	54/32516
SQUARE TONGUE / PIPE FITTING	54/32528
SQUARE TONGUE / CLEVIS	54/32541
CLEVIS / PIPE FITTING	54/32553
SQUARE TONGUE / SQUARE TONGUE	54/32617

NOTES

1. THIS INSULATOR TO BE USED FOR ALL APPLICATIONS IN HIGH RISK AREAS (e.g. PPO ARRANGEMENTS ON CURVED TRACKS).
2. INSULATOR TO BE TESTED IN ACCORDANCE WITH IEC 1109 STANDARD FOR COMPOSITE INSULATORS.
3. VANDAL PROOF PROPERTIES OF INSULATOR TO BE EQUAL OR BETTER THAN THE "RODURFLEX" TRACTION INSULATORS.
4. THIS IS A TYPICAL DRG ONLY (DETAIL SHED AND END FITTINGS DESIGN TO SUIT APPLICATION).

VERSION		
No.	NAME	DATE
3		20/10/01

22,24kN WAS 60kN AND
MINIMUM TENSILE
WORKING LOAD 8,89kN
ADDED.
CDO/1608
ECP: 2001/131

DIMENSIONS: mm
SCALE: NTS



DO REF: CDO/281	GEN TOL: LIN± 1	ANG± —
DRN: JR ANTHONY	CKD: JD v DYK	DATE: 99-10-27
ENG: WF MANS	HA SLIER	for CHIEF ENG

VANDAL PROOF COMPRESSION INSULATOR (COMPOSITE)
25kV AC

CENTRAL DRAWING OFFICE SPOORNET

DRAWING NO
BBB0429
VERSION 3