



Transnet SOC Limited  
Transnet RME

REQUEST FOR QUOTATION

TFR RME RFQ BOARD  
TRANSNET FREIGHT RAIL RME  
XXXXXXXXXX  
XXXXXXXXXXXXXXXXXX

Registration Number: 1990/000900/06  
Vat Number : 4720103177

**Attention:**  
TFR RME RFQ BOARD  
Telephone Number :  
Fax Number :  
Vendor Number :500000

**Quotation Deadline Date : 21.10.2013**  
**Quotation Deadline Time : 16H00**

**REQUEST for QUOTATION**  
Transnet RME  
**RFQ Number / Date**  
6000177762 / 11.10.2013  
**Contact Person / Telephone**  
Anne Mongie / 031 361 1759  
**Return to / FAX Number/EMAIL**  
0318300001 / TCPtendersDurban@Transnet.net

Item	Material	Description	RFQ Qty	UoM	Required Del date	Confirm Del date	Unit Price Excl	Total Price Excl
00010		SWIVEL CLIP ASSEMBLY	120	ea	28.10.2013			

SWIVEL CLIP ASSEMBLY  
250 CATENARY (BBB 7932)  
FOR MORE INFORMATION  
PLEASE CONTACT DEES  
(0832789364)

QUOTATION DEADLINE : 21 OCTOBER 2013 AT 16H00.  
QUOTES MUST BE SENT TO : TCPtendersDurban@Transnet.net OR  
FAX TO : 0318300001  
PLEASE ATTACH COPIES OF BBBEE AND TAX CLEARANCE CERTIFICATES  
ALL PROCUREMENT RELATED QUERIES TO BE DIRECTED TO :  
ANNE MONGIE : 031 361 1759  
E-MAIL : anne.mongie@transnet.net

PREVIEW COPY



Transnet SOC Limited  
Transnet RME  
TFR RME RFQ BOARD  
TRANSNET FREIGHT RAIL RME  
XXXXXXXXXX  
XXXXXXXXXXXXXXXXXXXX  
0000

REQUEST FOR QUOTATION

Registration Number: 1990/000900/06  
Vat Number : 4720103177

**Attention:**  
TFR RME RFQ BOARD  
Telephone Number :  
Fax Number :  
Vendor Number :500000

**Quotation Deadline Date : 21.10.2013**  
**Quotation Deadline Time : 16H00**

**REQUEST for QUOTATION**  
Transnet RME  
**RFQ Number / Date**  
6000177762 / 11.10.2013  
**Contact Person / Telephone**  
Anne Mongie / 031 361 1759  
**Return to FAX Number/EMAIL**  
031810000 / TCPtendersDurban@Transnet.net

**Delivery Address**  
TFR RME Durban  
100 Eel Road  
Bayhead, Durban  
4001

This RFQ is subject to the following conditions:

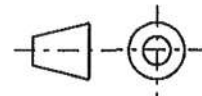
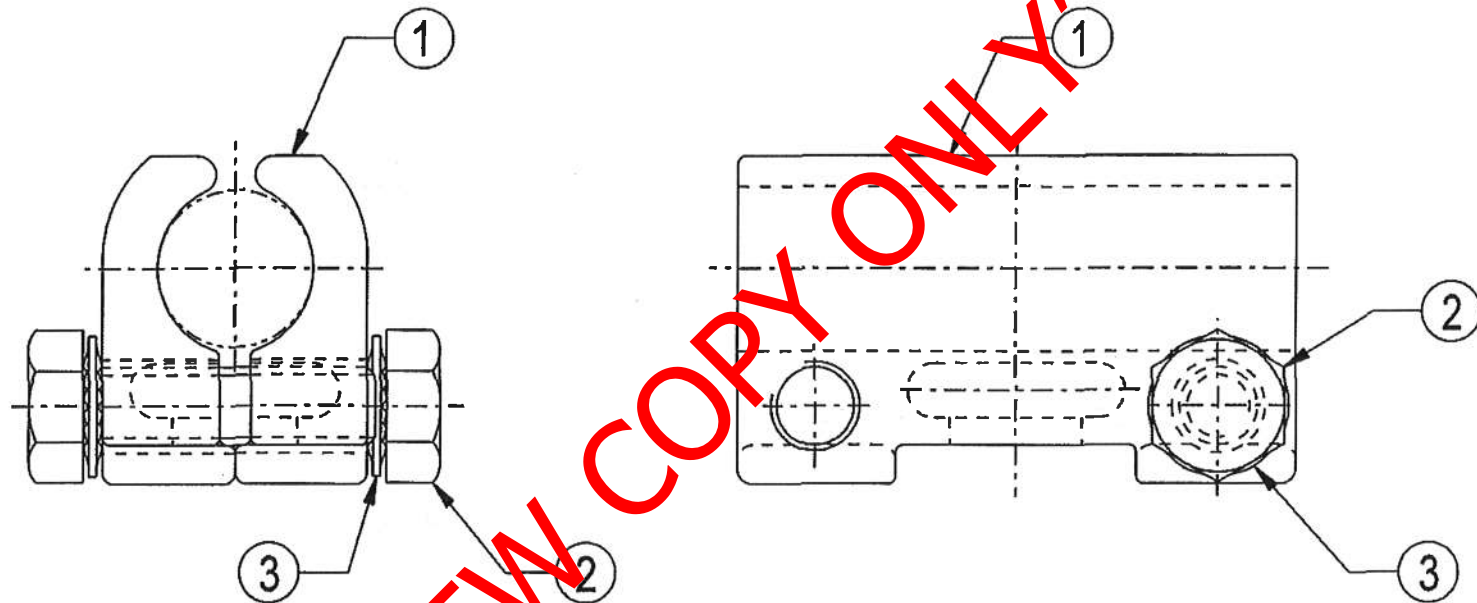
1. Price/s : The price/s quoted in SA currency and is excluding of V.A.T
2. Delivery : The price/s quoted should include delivery cost to the delivery address stated on the RFQ
3. Returnables : A valid tax clearance certificate and BBBEE certificate from a SANAS accredited verification agency attached to quotation for all quotes above R30 000.  
Please note that only the official Transnet RFQ will be accepted and all other correspondence to be attached to the original
4. Safety : To confirm to Transnet Capital Projects Health & Safety plan and specification; HAS-std-0001, copy available on request.
5. Confirmation: To confirm your participation in this tender process please sign and return this document as immediate effect prior to the quotation deadline.
6. Negotiations: The Employer may elect to negotiate the final terms of the contract/order with the preferred tenderer in accordance with Clauses F.2.17 and F.3.13 of the CIDB Standard Conditions of Tender. A copy of which is available upon request.

Signature \_\_\_\_\_

Date \_\_\_\_\_

**"PRELIMINARY COPY"**

10344687



© COPYRIGHT PROTECTED. PREPARED BY CENTRAL DRAWING OFFICE

ITEM NO	DESCRIPTION	QTY	STORES ITEM NO	DRAWING NO
3	WASHER, STAINLESS STEEL, LOCK, INTERNALLY TOOTHED, M10 TO SPEC AISI GRADE 316.	2	-	-
2	SCREW, STAINLESS STEEL, HEX HEAD, M10 x 55L TO SPEC AISI GRADE 316.	2	-	-
1	CHEEK, CATENARY SWIVEL CLIP.	2	-	BBB7933

DIMENSIONS : mm  
 TOLERANCE : LIN ± - ANG ± -  
 MATERIAL :-  
 VERSION INFO :-

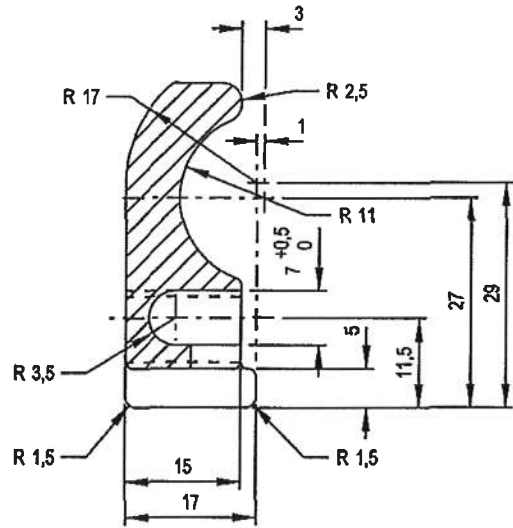
SCALE : 1 : 1  
 ITEM NO: 54/024288

DO REF : CDO/3666  
 ECP REF :-  
 DRAWN : J.R. Anthony  
 DESIGNED :-  
 CHECKED : J.D. van Dyk

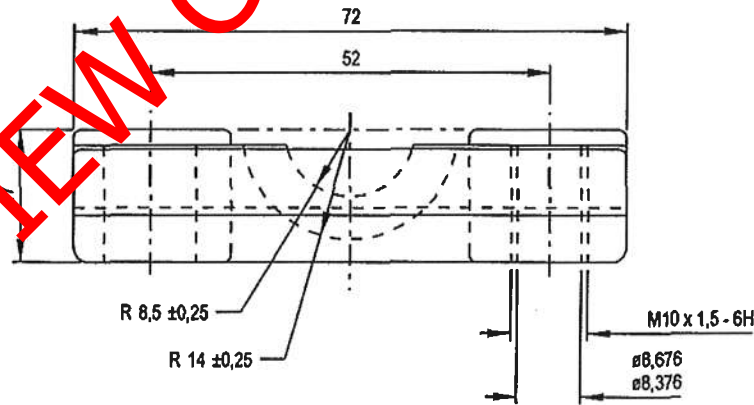
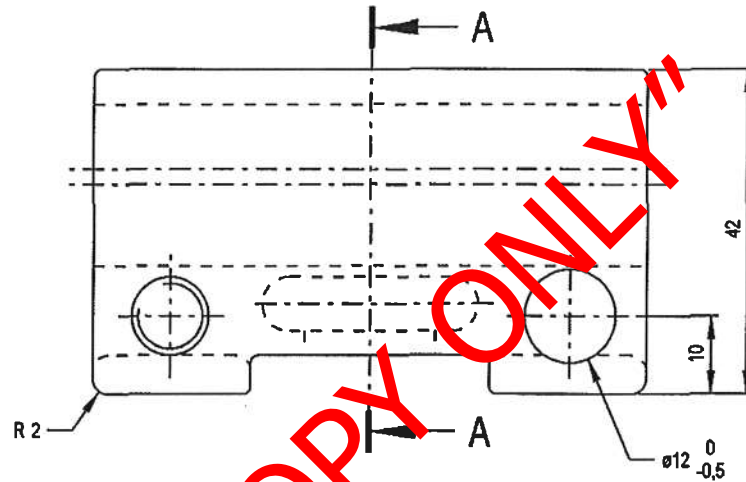
DATE: 11/10/2004  
 APPROVED  
 AUTHORIZED

SWIVEL CLIP ASSEMBLY  
 250mm<sup>2</sup> Cu. (FAT CAT) CATENARY

**SPOORNET**  
 BBB7932  
 VERSION 1



SECTION A-A



- NOTES
1. ALL UNSPECIFIED RADII R1
  2. THE FOLLOWING PERMANENT MARKINGS MUST APPEAR ON THIS ARTICLE:
    - A). SPOORNET
    - B). MAKER'S IDENTIFICATION
    - C). BATCH NUMBER.

"PREVIEW COPY ONLY"

© COPYRIGHT PROTECTED. PREPARED BY CENTRAL DRAWING OFFICE

DIMENSIONS : mm SCALE : 1 : 1  
 TOLERANCE : LIN  $\pm 1$  ANG  $\pm$  - ITEM NO : -  
 MATERIAL : Cu-Ni-SI TO SPEC CEE-0063 OR  
 STAINLESS STEEL TO SPEC AISI GR 304.  
 VERSION INFO :-

DO REF : CDO/3666  
 ECP REF : -  
 DRAWN : J.R. Anthony  
 DESIGNED : -  
 CHECKED : J.D. van Dyk

DATE: 11/10/2004  
 APPROVED  
 AUTHORIZED

CHEEK: CATENARY SWIVEL CLIP  
 250mm<sup>2</sup> Cu. (FAT CAT) CATENARY

 **SPOORNET**

BBB7933  
 VERSION 1