



Transnet SOC Limited
Transnet RME

REQUEST FOR QUOTATION

TRANSNET FREIGHT RAIL - RME
TFR RFQ BOARD
PROCUREMENT DEPARTMENT
BELLVILLE, CAPE TOWN

Registration Number: 1990/000900/06
Vat Number : 4720103177

Attention:

Telephone Number :
Fax Number :
Vendor Number : 500000

Quotation Deadline Date : 14.10.2013
Quotation Deadline Time : 16:00

REQUEST for QUOTATION

Transnet RME
RFQ Number / Date
6000176188 / 30.09.2013
Contact Person / Telephone
Noloyiso Alam / 021 940 1886
Return to VAX Number/EMAIL
0218100000 / TCPtendersCapeTown@Transnet.net

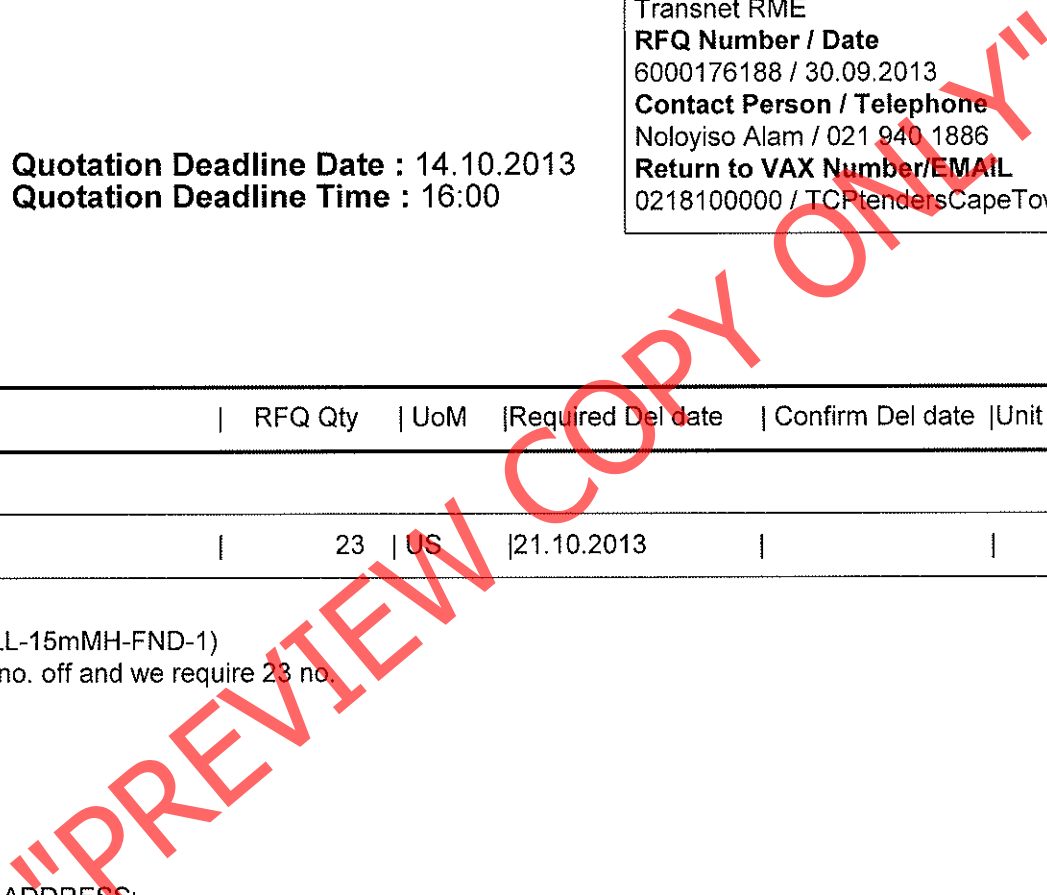
Item	Material	Description	RFQ Qty	UoM	Required Del date	Confirm Del date	Unit Price Excl	Total Price Excl
00010		re-inforcing	23	US	21.10.2013			

re-inforcing
steel as per (drwing no: R7027LL-15mMH-FND-1)
note: bending schedule is for 1 no. off and we require 23 no.
bolt groups to be omitted

Project duration: 1 month
Christo 081 270 1624
Kathu point zero

REQUESTER AND DELIVERY ADDRESS:

CHRISTO- TRANSNET FREIGHT RAIL
Point Zero
KATHU
CELL: 081 270 1624 / 061 424 5252
TEL: 022 703 2263





Transnet SOC Limited
Transnet RME
 TRANSNET FREIGHT RAIL - RME
 TFR RFQ BOARD
 PROCUREMENT DEPARTMENT
 BELLVILLE, CAPE TOWN
 7530

REQUEST FOR QUOTATION

Registration Number: 1990/000900/06
Vat Number : 4720103177

Attention:
 Telephone Number :
 Fax Number :
 Vendor Number : 500000

Quotation Deadline Date : 14.10.2013
Quotation Deadline Time : 16:00

REQUEST for QUOTATION
 Transnet RME
RFQ Number / Date
 6000176188 / 30.09.2013
Contact Person / Telephone
 Noloyiso Alam / 021 940 1886
Return to VAX Number/EMAIL
 0218100000 / TCPtendersCapeTown@Transnet.net

Item	Material	Description	RFQ Qty	UoM	Required Del date	Confirm Del date	Unit Price Excl	Total Price Excl
------	----------	-------------	---------	-----	-------------------	------------------	-----------------	------------------

If you are unable to quote for this enquiry, please submit a NO QUOTE, with a short reason, if possible, for not being able to quote.
 Otherwise we look forward to receive your quote by the date and time stated.

"PREVIEW COPY ONLY"

Transnet SOC Limited
Transnet RME
 TRANSNET FREIGHT RAIL - RME
 TFR RFQ BOARD
 PROCUREMENT DEPARTMENT
 BELLVILLE, CAPE TOWN
 7530

REQUEST FOR QUOTATION

Registration Number: 1990/000900/06
 Vat Number : 4720103177

**Attention:**

Telephone Number :
 Fax Number :
 Vendor Number : 500000

Quotation Deadline Date : 14.10.2013
Quotation Deadline Time : 16:00

REQUEST for QUOTATION

Transnet RME
RFQ Number / Date
 6000176188 / 30.09.2013
Contact Person / Telephone
 Noloyiso Alam / 021 940 1886
Return to VAX Number/EMAIL
 0218100000 / TCPtendersCapeTown@Transnet.net

Delivery Address

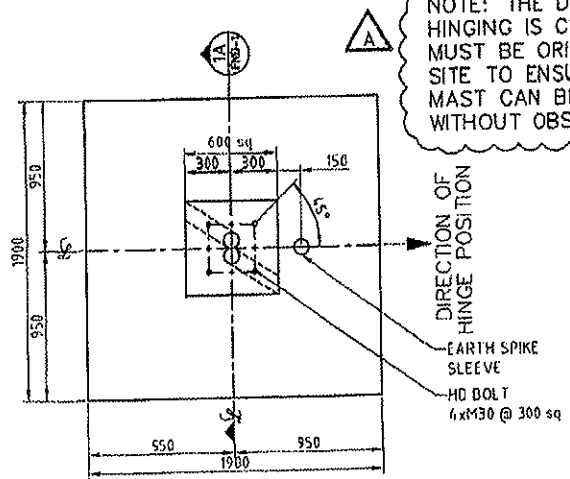
TFR RME Cape Town
 De Gatt Complex, Behind Propne
 Bellville South, Cape Tow
 7530

This RFQ is subject to the following conditions:

1. Price/s : The price/s quoted in SA currency and is excluding of V.A.T
2. Delivery : The price/s quoted should include delivery cost to the delivery address stated on the RFQ
3. Returnables : A valid tax clearance certificate and BBBEE certificate from a SANAS accredited verification agency attached to quotation for all quotes above R30 000.
Please note that only the official Transnet RFQ will be accepted and all other correspondence to be attached to the original
4. Safety : To confirm to Transnet Capital Projects Health & Safety plan and specification; HAS-std-0001, copy available on request.
5. Confirmation: To confirm your participation in this tender process please sign and return this document as immediate effect prior to the quotation deadline.
6. Negotiations: The Employer may elect to negotiate the final terms of the contract/order with the preferred tenderer in accordance with Clauses F.2.17 and F.3.13 of the CIDB Standard Conditions of Tender. A copy of which is available upon request.

 Signature

 Date

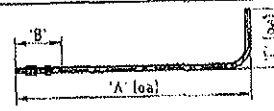


1 PLAN
PND-V (SCALE 1:30)

NOTE: THE DIRECTION OF HINGING IS CRITICAL. BOLTS MUST BE ORIENTATED ON SITE TO ENSURE THAT THE MAST CAN BE LOWERED WITHOUT OBSTRUCTION.

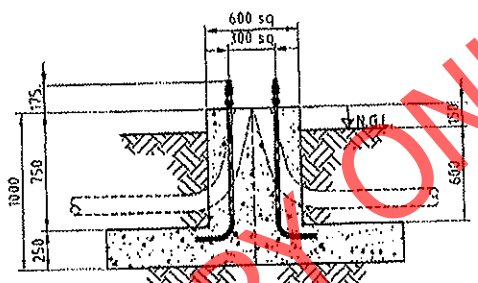
DIRECTION OF HINGE POSITION

MARK	No. Off	Diam.	Total Length	A	B	C
1	4	M30	1200	1025	200	250



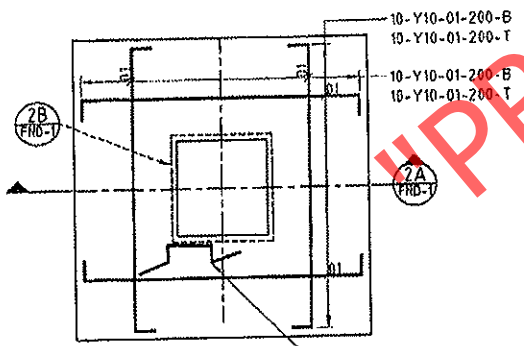
3 DETAIL
PND-V (SCALE 1:20)

HD BOLT SCHEDULE



1A SECTION
PND-V (SCALE 1:30)

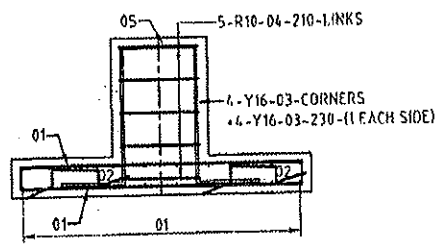
FOUNDATION DETAILS



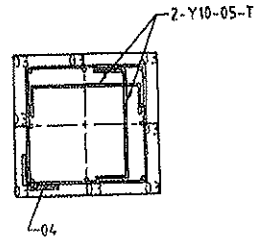
2 PLAN
PND-V (SCALE 1:30)

UNIT		REINFORCEMENT				BENDING DIMENSIONS FOR SHAPE CODES (SABS 82)						
MARK	NO. OFF	BAR MK.	TYPE Ø (mm)	NO. IN EACH	TOTAL	Length (mm) *	Shape Code	A**	B**	C**	D**	E** or I**
SLAB	1	01	Y10	40	40	2060	35	1800				
SLAB	1	02	R10	6	6	860	83	300	120	200	200	
PLINTH	1	03	Y16	8	8	1450	54	400	880	250		
PLINTH	1	04	R10	5	5	2020	60	500	500			
PLINTH	1	05	Y10	2	2	720	35	460				
MASSSES (KG)	TYPE				SIZE				Total			
			10	12	18	20	28					
	Y		51.7		18.3							70.1
	R		9.4									8.4
	Total		61.1	0.0	18.3	0.0	0.0					79.5

R = Mid steel bars (250 MPa) to SABS 820
 Y = High yield steel bars (450 MPa) to SABS 820
 Z = Cold drawn wire rod
 * Specified in multiples of 25mm
 ** Specified in multiples of 10mm
 This schedule complies with SABS 82



2A SECTION
PND-V (SCALE 1:30)



2B DETAIL
PND-V (SCALE 1:20)

FOUNDATION REINFORCEMENT

NOTES

DESIGN:
 REGIONAL WIND SPEED: 40m/s (144km/h)
 TERRAIN CATEGORY: 2
 CLASS: B
 SITE ALTITUDE: 1500m ASL
 AREA OF FLOODS: 6.00m²
 LOAD ON TOP: 160kg
 REINFORCING COVER: 50mm
 SOIL PRESSURE: 99.05kPa
 MINIMUM VERTICAL LOAD: 7.5kN
 SHEAR FORCE: 3.8kN
 BENDING MOMENT: 1.17m²
 CONCRETE VOLUME: 1.17m³
 EXCAVATION VOLUME: 3.07m³

GENERAL:
 1) CONCRETE STRENGTH SHALL BE GRADE 25 OR HIGHER. THE CONTRACTOR SHALL CARRY OUT AND SUPPLY RESULTS OF 28 DAY CUBE TEST TO THE ENGINEER.
 2) REINFORCING STEEL SHALL BE DEFORMED BAR WITH A MINIMUM YIELD STRENGTH OF 460 MPa AND SHAPED IN ACCORDANCE WITH SABS 82.
 3) THE CONTRACTOR SHALL CARRY OUT SOIL TEST IN ORDER TO DETERMINE SOIL BEARING CAPACITY AS WELL AS SOIL CLASSIFICATION. THE CONTRACTOR SHALL PROVIDE THE ENGINEER WITH THE RESULTS OF THESE TESTS FOR APPROVAL. NO CONCRETE MAY BE CAST BEFORE APPROVAL OF SOIL TEST BY THE ENGINEER. SOIL BEARING CAPACITY TO BE DETERMINED BY MEANS OF DYNAMIC CONE PENETROMETER TEST. SOIL CLASSIFICATION SHALL BE DONE ACCORDING TO SABS 0161-1980 B-3.
 4) ALL WORK CARRIED OUT BY THE CONTRACTOR SHALL BE IN ACCORDANCE WITH THE SABS 0100-2:1992 CODE OF PRACTICE.
 5) A CONSTRUCTION JOINT BETWEEN THE PLINTH AND SLAB IS ALLOWED PROVIDED THAT THE JOINT IS DONE IN ACCORDANCE WITH SABS 0100-2:1992 PARAGRAPH 10.4.5

LEGEND:
 ALT = ALTERNATE
 ABR = ALTERNATE BAR REVERSE
 B = BOTTOM
 B1 = BOTTOM LOWER LAYER
 B2 = BOTTOM UPPER LAYER
 BW = BOTH WAYS
 C = INSIDE CORNER
 EF = EACH FACE
 FF = FAR FACE
 NF = NEAR FACE
 STG = STAGGERED
 T = TOP
 T1 = TOP UPPER LAYER
 T2 = TOP LOWER LAYER

NO.	REVISION	ISSUED FOR CONSTRUCTION	CHK
0			
1			
2			

REVISIONS

TRANSNET R7027LL

CONTRACTOR:
 LBIANC ENGINEERING STRUCTURES (Pty) LTD.
 18 JOHNSON ROAD P.O. BOX 1592
 PRETORIA 0001, REPUBLIC OF SOUTH AFRICA
 TEL: +27 11 481 73 44 FAX: +27 11 416 14 44

TITLE:
 15m MID-RISE MAST FOUNDATION DRAWING

DATE: 2013/02/14
 DRAWN BY: R7027LL-15m-M1-FND-1
 CHECKED BY: []