

Transnet SOC Limited
Transnet RME

REQUEST FOR QUOTATION



TFR RME RFQ Board
TFR RME RFQ Board
Transnet Freight Rail - RME
PROCUREMENT DEPARTMENT

Registration Number: 1990/000900/06
Vat Number : 4720103177

Attention:

Telephone Number :
Fax Number :
Vendor Number :500000

Quotation Deadline Date : 04.10.2013
Quotation Deadline Time : 16:00

REQUEST for QUOTATION
Transnet RME
RFQ Number / Date
6000175636 / 23.09.2013
Contact Person / Telephone
Troy Stevens / 021 940 1892
Return to VAX Number/EMAIL
021 940 0000 / TCPtendersCapeTown@Transnet.net

PREVIEW COPY ONLY

| Item | Material | Description | RFQ Qty | JoM | Required Del date | Confirm Del date | Unit Price Excl | Total Price Excl |
|-------|----------|--------------|---------|-----|-------------------|------------------|-----------------|------------------|
| 00010 | | OHTE fitting | 600 | ea | 25.10.2013 | | | |

OHTE fitting
Hockey stick assembly (TND-32)

Contact person Jeff Niemand 0834556385

Project number 1414792

Delivery address: Bellville Square stores

Requester and Delivery Address:

Richard Carswell - Transnet Freight Rail (RME)
Deliver to Bellville Square Bellville South
Western Cape

Tel: Richard Carswell 0219401813 & 0834556391
Cell: Jeff Niemand 0834556385



Transnet SOC Limited
 Transnet RME
 TFR RME RFQ Board
 TFR RME RFQ Board
 Transnet Freight Rail - RME
 PROCUREMENT DEPARTMENT
 7530

REQUEST FOR QUOTATION

Registration Number: 1990/000900/06
 Vat Number : 4720103177

REQUEST for QUOTATION
 Transnet RME
RFQ Number / Date
 6000175636 / 23.09.2013
Contact Person / Telephone
 Troy Stevens / 021 940 1892
Return to VAX Number/EMAIL
 0218400000 / TCPtendersCapeTown@Transnet.net

Attention:

Telephone Number :
 Fax Number :
 Vendor Number :500000

Quotation Deadline Date : 04.10.2013
Quotation Deadline Time : 16:00

| Item | Material | Description | RFQ Qty | UoM | Required Del date | Confirm Del date | Unit Price Excl | Total Price Excl |
|------|----------|-------------|---------|-----|-------------------|------------------|-----------------|------------------|
|------|----------|-------------|---------|-----|-------------------|------------------|-----------------|------------------|

Email: richard.carswell@transnet.net
 Fax: 021 9401938

If you are unable to quote for this enquiry, please submit a NO QUOTE, with a short reason, if possible, for not being able to quote.

Otherwise we look forward to receive your quote by the date and time stated.

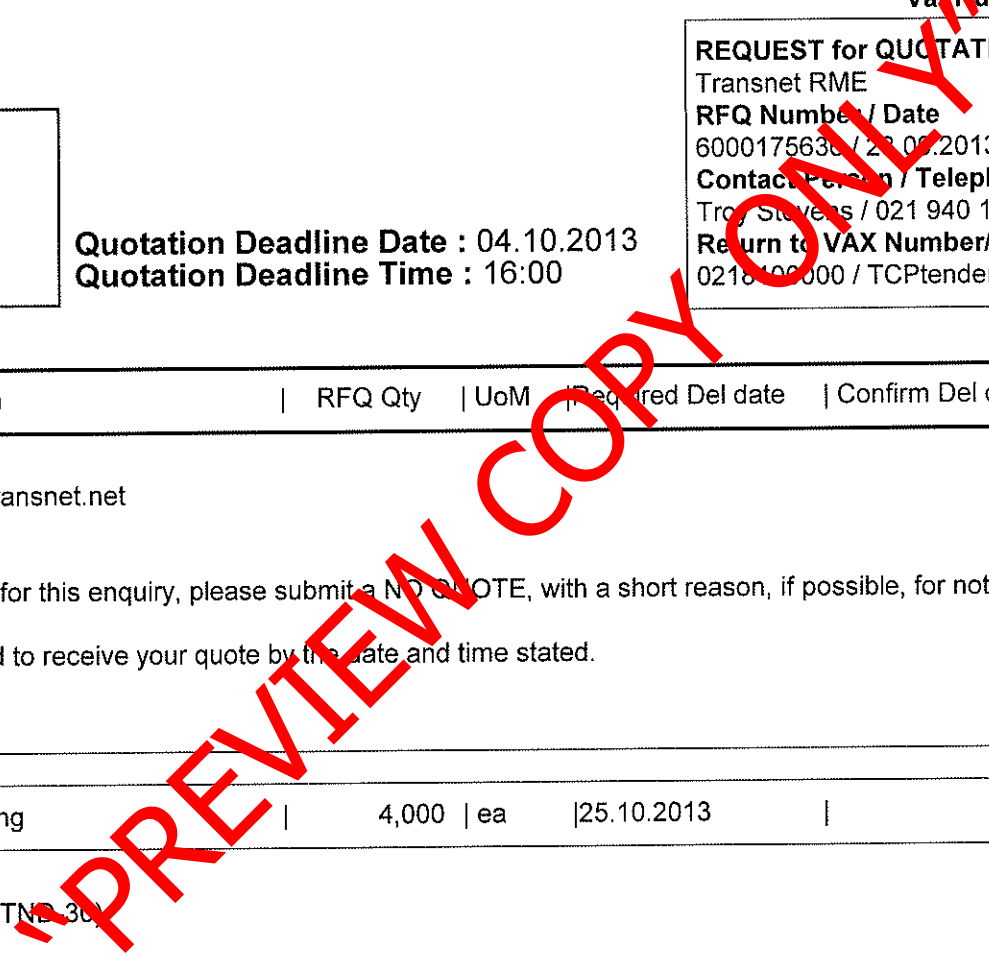
| | | | | | | | | |
|-------|--|--------------|-------|----|------------|--|--|--|
| 00020 | | OHTE fitting | 4,000 | ea | 25.10.2013 | | | |
|-------|--|--------------|-------|----|------------|--|--|--|

OHTE fitting
 Stop line brace anti uplift (TNS-30)

Contact person Jeff Niemand 0834556385

Project number 1414792

Delivery address: Bellville Square stores





Transnet SOC Limited
Transnet RME
 TFR RME RFQ Board
 TFR RME RFQ Board
 Transnet Freight Rail - RME
 PROCUREMENT DEPARTMENT
 7530

REQUEST FOR QUOTATION

Registration Number: 1990/000900/06
 Vat Number : 4720103177

REQUEST for QUOTATION
 Transnet RME
RFQ Number / Date
 600017563 / 23.09.2013
Contact Person / Telephone
 Troy Stevens / 021 940 1892
Return to VAX Number/EMAIL
 021 940 0000 / TCPtendersCapeTown@Transnet.net

Attention:

Telephone Number :
 Fax Number :
 Vendor Number : 500000

Quotation Deadline Date : 04.10.2013
Quotation Deadline Time : 16:00

PREVIEW COPY ONLY

| Item | Material | Description | RFQ Qty | UoM | Required Del date | Confirm Del date | Unit Price Excl | Total Price Excl |
|-------|----------|--------------|---------|-----|-------------------|------------------|-----------------|------------------|
| 00030 | | OHTE fitting | 20,000 | ea | 25.10.2013 | | | |

OHTE fitting
 Dropper clip PVC 160mm (TND-5)

Contact person Jeff Niemand 0834556385

Project number 1414792

Delivery address: Bellville Square stores

Requester and Delivery Address:

Richard Carswell - Transnet Freight Rail (RME)
 Deliver to Bellville Square Bellville South
 Western Cape

Tel: Richard Carswell 0219401813 & 0834556391
 Cell: Jeff Niemand 0834556385
 Email: richard.carswell@transnet.net
 Fax: 021 9401938



Transnet SOC Limited
Transnet RME
 TFR RME RFQ Board
 TFR RME RFQ Board
 Transnet Freight Rail - RME
 PROCUREMENT DEPARTMENT
 7530

REQUEST FOR QUOTATION

Registration Number: 1990/000900/06
Vat Number : 4720103177

REQUEST for QUOTATION
 Transnet RME
RFQ Number / Date
 6000175630 / 23.09.2013
Contact Person / Telephone
 Troy Stevens / 021 940 1892
Return to VAX Number/EMAIL
 0210100000 / TCPtendersCapeTown@Transnet.net

Attention:

Telephone Number :
 Fax Number :
 Vendor Number :500000

Quotation Deadline Date : 04.10.2013
Quotation Deadline Time : 16:00

| Item | Material | Description | RFQ Qty | UoM | Required Del date | Confirm Del date | Unit Price Excl | Total Price Excl |
|------|----------|-------------|---------|-----|-------------------|------------------|-----------------|------------------|
|------|----------|-------------|---------|-----|-------------------|------------------|-----------------|------------------|

If you are unable to quote for this enquiry, please submit a NO QUOTE, with a short reason, if possible, for not being able to quote.
 Otherwise we look forward to receive your quote by the date and time stated.

"PREVIEW COPY"



Transnet SOC Limited
Transnet RME
 TFR RME RFQ Board
 TFR RME RFQ Board
 Transnet Freight Rail - RME
 PROCUREMENT DEPARTMENT
 7530

REQUEST FOR QUOTATION

Registration Number: 1990/000900/06
Vat Number : 4720103177

Attention:

Telephone Number :
 Fax Number :
 Vendor Number :500000

Quotation Deadline Date : 04.10.2013
Quotation Deadline Time : 16:00

REQUEST for QUOTATION
 Transnet RME
RFQ Number / Date
 6000175630 / 23.09.2013
Contact Person / Telephone
 Troy Stevens / 021 940 1892
Return to VAX Number/EMAIL
 021 940 0000 / TCPTendersCapeTown@Transnet.net

Delivery Address

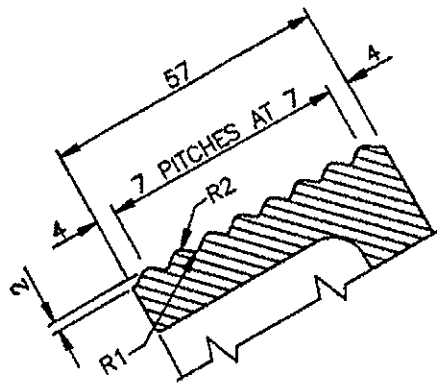
TFR RME Cape Town
 De Gatt Complex, Behind Propne
 Bellville South, Cape Tow
 7530

This RFQ is subject to the following conditions:

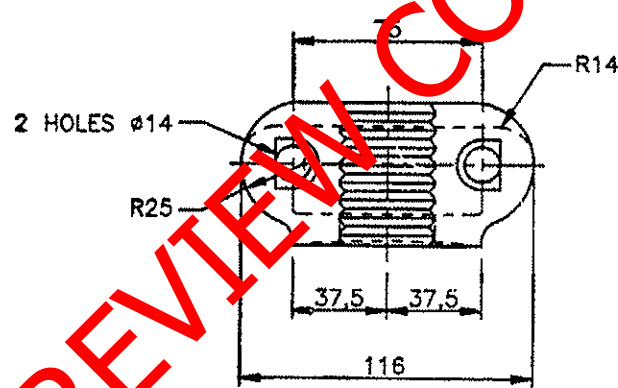
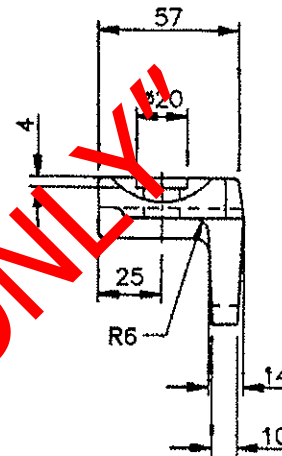
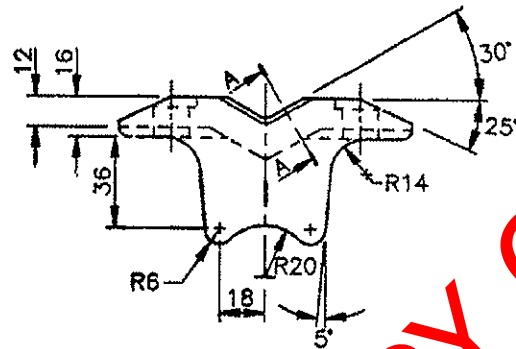
1. Price/s : The price/s quoted in SA currency and is excluding of V.A.T
2. Delivery : The price/s quoted should include delivery cost to the delivery address stated on the RFQ
3. Returnables : A valid tax clearance certificate and BBBEE certificate from a SANAS accredited verification agency attached to quotation for all quotes above R30 000.
Please note that only the official Transnet RFQ will be accepted and all other correspondence to be attached to the original
4. Safety : To confirm to Transnet Capital Projects Health & Safety plan and specification; HAS-std-0001, copy available on request.
5. Confirmation: To confirm your participation in this tender process please sign and return this document as immediate effect prior to the quotation deadline.
6. Negotiations: The Employer may elect to negotiate the final terms of the contract/order with the preferred tenderer in accordance with Clauses F.2.17 and F.3.13 of the CIDB Standard Conditions of Tender. A copy of which is available upon request.

Signature _____

Date _____



SECTION A-A
SCALE : 1:1



"PREVIEW COPY ONLY"

NOTES

1. ALL UNSPECIFIED RADII R4.
2. THE FOLLOWING PERMANENT MARKINGS MUST APPEAR ON THIS ARTICLE:
 - a) SPOORNET.
 - b) MAKER'S IDENTIFICATION.
 - c) BATCH NUMBER.
3. FINISH: ZINC COAT TO SPEC SABS 763 FOR CONDITIONS IN SITU.

| AMENDMENTS | | |
|------------|------|----------|
| NO | NAME | DATE |
| 1 | JVT | 96-11-15 |

REVISED, DRG NO WAS CEE-TN-166.
DO REF: T96/001

STORES ITEM NO
54/11388

DIMENSIONS: mm
SCALE: 1:2

A3

DRAWING NO CEE-
TND-30

SHEET — OF —

MATERIAL: SPHEROIDAL GRAPHITE IRON TO SPEC SABS 936 GRADE SG 50

DO REF: T80/65 GEN TOL: LIN± 1 ANG± 1°

DRN: T HUMAN CKD: _____ DATE: 80-02-11

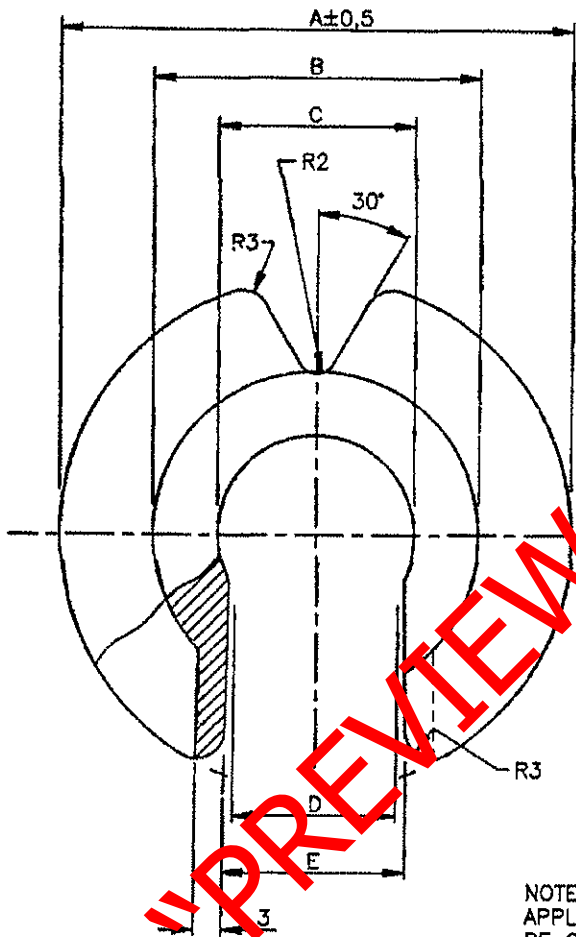
ENG: _____ G A WILLIAMS for CHIEF ENG

INFRASTRUCTURE
(ELECTRICAL)



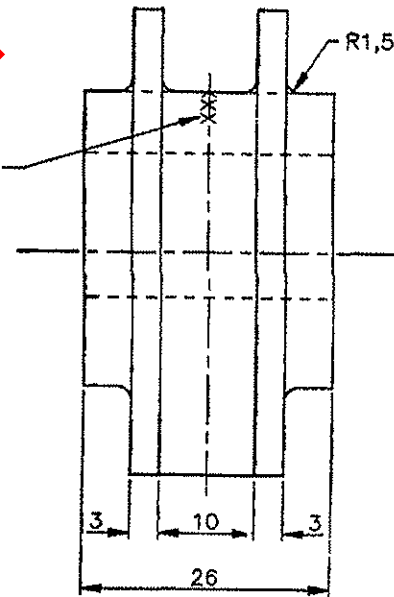
STOP, LINE BRACE UPLIFT LIMITING
FITTING

T0600163



| CATENARY | A | B | C | D | E | ITEM NO |
|-----------------------|-------|-------|-------|------|-------------------------------|----------|
| 80mm ² | ∅38 | ∅15 | ∅10,8 | 9,6 | 9 ⁺¹ ₀ | 54/6840 |
| 100mm ² | ∅40 | ∅20,1 | ∅12,1 | 10,7 | 10 ⁺¹ ₀ | 54/16861 |
| * 160mm ² | ∅46,5 | ∅26,4 | ∅15,9 | 14,1 | 13 ⁺² ₀ | 54/16836 |
| 250mm ² | ∅54 | ∅33,9 | ∅20,5 | 18,2 | 16 ⁺³ ₀ | 54/16848 |
| ** 530mm ² | ∅68 | ∅48,4 | ∅27,4 | 26 | 25 ⁺⁴ ₀ | 54/31701 |

* ALSO FOR CONDUCTOR (ACSR) CODE NAME "TIGER"
 ** FOR CONDUCTOR (ACSR) CODE NAME "DEER"



NOTE
 APPLICABLE CONDUCTOR SIZE 80-, 100-, 160-, 250- OR 530mm² TO BE CAST OR PUNCHED IN POSITION SHOWN (3mm CHARACTER HEIGHT).

| AMENDMENTS | | |
|---|---------------|----------|
| NO | NAME | DATE |
| 1 | I DE VILLIERS | 90-02-14 |
| REDRAWN, INFORMATION ADDED. DO REF: T90/009 | | |
| 2 | I DE VILLIERS | 91-03-04 |
| INDICATION OF CONDUCTOR SIZE MOVED. DO REF: T91/010 | | |
| 3 | W BRIGHT | 92-06-22 |
| DIMENSION "E" WAS 10,1 ; 11,3 ; 14,8 AND 19. DO REF: T92/027 | | |
| 4 | H A SLIER | 98-06-04 |
| DRAWING REVISED AND INFORMATION ADDED. DO REF: T98/024 | | |

| | | |
|------------------------------------|-------------------|---------------|
| MATERIAL: NYLON 66, PIGMENT: BLACK | | |
| DO REF T90/001 | GEN TOL: LIN± 0,2 | ANG± 0°30' |
| DRN J VON ABO | CKD J H SWIGERS | DATE 90-01-29 |
| ENG A VERSTEEG | A VERSTEEG | for CHIEF ENG |

DROPPER CLIP
 CLIP-ON TYPE
 80-, 100-, 160-, 250- & 530mm² CATENARIES

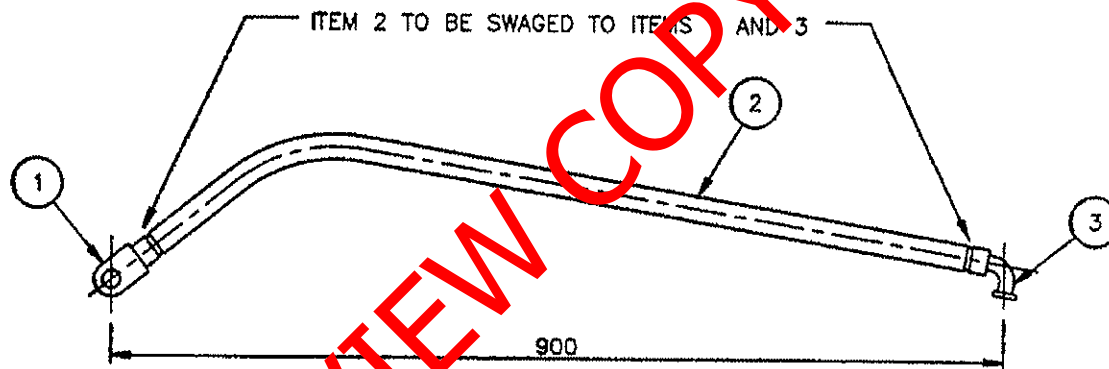
INFRASTRUCTURE (ELECTRICAL) SPOORNET

DIMENSIONS:mm
 SCALE 2:1

 A3
 DRAWING NC CEE-
 TND-5
 SHEET - OF -

PREVIEW COPY ONLY

| ITEM | DESCRIPTION | QTY | STORE ITEM NO. | DRG NO CEE- | AMENDMENTS | | |
|------|-------------------|-----|----------------|-------------|---|------|----------|
| 1 | CLEVIS FITTING | 1 | _____ | 1NB-62 | NO | NAME | DATE |
| 2 | HOCKEY STICK TUBE | 1 | _____ | TND-31 | 1 | JVT | 97-04-07 |
| 3 | SWIVEL CLIP STEM | 1 | _____ | TND-29 | REVISED. DRG NO. WAS TN-170. DO REF: T96/001 | | |



STORES ITEM NO
54/11692

DIMENSIONS: mm
SCALE: 1:5

A3

DRAWING NO CEE-

TND-32

SHEET — OF —

DO REF: T80/65 GEN TOL: LIN± 1,0 ANG± 1°
 DRN: P MARTIN CKD: R McMILLAN DATE: 80-02-13
 ENG: _____ GA WILLIAMS for CHIEF ENG

HOCKEY STICK ASSEMBLY

INFRASTRUCTURE
(ELECTRICAL)



10000208