

Transnet SOC Limited
Transnet RME

REQUEST FOR QUOTATION

TRANSNET

TFR Official Tender Board.
 TFR Tender Board
 Johannesburg.
 2000

Registration Number: 1990/000900/06
Vat Number : 4720103177



Attention:
 TFR Official Tender Board.
 Telephone Number :
 Fax Number :
 Vendor Number :500000

Quotation Deadline Date : 27.09.2013
Quotation Deadline Time : 12:00

REQUEST for QUOTATION
 Transnet RME
RFQ Number / Date
 6000174923 / 18.09.2013
Contact Person / Telephone
 Eddie Quinn / 035 905 3664
Return to VAX Number/EMAIL
 0865159978 / TCPtendersRichardsBay@Transnet.net

"PREVIEW COPY ONLY"

Item	Material	Description	RFQ Qty	UoM	Required Del date	Confirm Del date	Unit Price Excl	Total Price Excl
00010		HDG Channels CEE-TMF-49	2	ea	14.10.2013			
Manufacture & Deliver, 2 x HDG Steel Channels, as per the attached Drawing No: CEE-TMF-494, Item: 1. Deliver to: 1 Morris Road - Empangeni Rail - Old Goods Shed. Contact: Mr Pierre Crocker Tel: 083 079 0437 / 035-905 3638.								
00020		HDG Channels CEE-TMF-49	2	ea	14.10.2013			
Manufacture & Deliver, 2 x HDG Steel Channels, as per the attached Drawing No: CEE-TMF-494, Item: 2. Deliver to: 1 Morris Road - Empangeni Rail - Old Goods Shed. Contact: Mr Pierre Crocker Tel: 083 079 0437 / 035-905 3638.								
00030		HDG Channels CEE-TMF-49	2	ea	14.10.2013			
Manufacture & Deliver, 2 x HDG Steel Channels, as per the attached Drawing No: CEE-TMF-494, Item: 4.								

Transnet SOC Limited
Transnet RME
 Company
 TFR Official Tender Board.
 TFR Tender Board
 Johannesburg.
 2000

REQUEST FOR QUOTATION

TRANSNET



Registration Number: 1990/000900/06
Vat Number : 4720103177

Attention:
 TFR Official Tender Board.
 Telephone Number :
 Fax Number :
 Vendor Number :500000

Quotation Deadline Date : 27.09.2013
Quotation Deadline Time : 12:00

REQUEST for QUOTATION
 Transnet RME
RFQ Number / Date
 6000174923 / 18.09.2013
Contact Person / Telephone
 Eddie Quinn / 035 905 3664
Return to VAX Number/EMAIL
 0865159978 / TCPtendersRichardsBay@Transnet.net

Item	Material	Description	RFQ Qty	UoM	Required Del date	Confirm Del date	Unit Price Excl	Total Price Excl
		Deliver to: 1 Morris Road - Empangeni Rail - Old Goods Shed. Contact: Mr Pierre Crocker Tel: 083 079 0437 / 035-905 3638.						
00040		Adapt Plates (Twisted)	16	ea	14.10.2013			

Manufacture & Deliver, 16 x HDG Adaptor Plates (Twisted), as per the attached Drawing No: CEE-TNE-32.
 Deliver to: 1 Morris Road - Empangeni Rail - Old Goods Shed.
 Contact: Mr Pierre Crocker Tel: 083 079 0437 / 035-905 3638.

Transnet Limited t/a Transnet Freight Rail (R.M.E.) # Richards Bay, hereby invite your company to submit a detailed quotation for:

The Supply, Deliver and Offload of Various OHTE Items, mentioned above, and to Transnet Specifications, delivered to 1 Morris Road, Empangeni Rail, Old Goods Shed.

All technical queries relating to this invitation may be addressed to;
 Mr. Pierre Crocker Tel: 083 279 0437 / 035-905 3638.

All tender related queries pertaining to this invitation may be addressed to;
 Mr. Eddie Quinn, Tel: 035 # 905 3664 / 083 564 6992.

The closing time for receipt of your official quotations is 12:00 hours on Friday, 27 September 2013.

"PREVIEW COPY ONLY"

Transnet SOC Limited
Transnet RME
Company
TFR Official Tender Board.
TFR Tender Board
Johannesburg.
2000

REQUEST FOR QUOTATION

TRANSNET



Registration Number: 1990/000900/06
Vat Number : 4720103177

Attention:
TFR Official Tender Board.
Telephone Number :
Fax Number :
Vendor Number :500000

Quotation Deadline Date : 27.09.2013
Quotation Deadline Time : 12:00

REQUEST for QUOTATION
Transnet RME
RFQ Number / Date
6000174923 / 18.09.2013
Contact Person / Telephone
Eddie Quinn / 035 905 3664
Return to VAX Number/EMAIL
0865159978 / TCPtendersRichardsBay@Transnet.net

Item	Material	Description	RFQ Qty	UoM	Required Del date	Confirm Del date	Unit Price Excl	Total Price Excl
------	----------	-------------	---------	-----	-------------------	------------------	-----------------	------------------

Telephonic and late quotes will not be accepted.
All quotations should be clearly marked, and forwarded to:
Me Yogeshnie Gengan, Tender & Fax Assistant,
Fax No: 086 515 9978 and / or
e-mailed to: TCPtendersRichardsBay@transnet.net

The contractor / supplier's address and identification details have to be clearly shown on each quotation submitted.

Please supply the following documents with your quotation;

- Valid Tax Clearance certificate.
- Copy of your latest B.B.B.E.E. Certificate.
- Certificate of good standing with the Workman's Compensation Commissioner.

Failing to submit any of the documents mentioned above, could result in your quotation to be disqualified / not accepted.

Note: #Transnet may not necessarily accept the lowest or any other offer and reserves the right to select in its favor any or, a portion of any offer made"

If you are unable to quote for this RFQ, please submit a NO QUOTE, with a short reasons, if possible, for not being able to quote.

Otherwise we look forward to receive your detailed quote by the date and time stated.

Transnet SOC Limited
Transnet RME
Company
TFR Official Tender Board.
TFR Tender Board
Johannesburg.
2000

REQUEST FOR QUOTATION

TRANSNET



Registration Number: 1990/000900/06
Vat Number : 4720103177

Attention:
TFR Official Tender Board.
Telephone Number :
Fax Number :
Vendor Number :500000

Quotation Deadline Date : 27.09.2013
Quotation Deadline Time : 12:00

REQUEST for QUOTATION
Transnet RME
RFQ Number / Date
6000174923 / 18.09.2013
Contact Person / Telephone
Eddie Quinn / 035 905 3664
Return to VAX Number/EMAIL
0865159978 / TCPtendersRichardsBay@Transnet.net

Item	Material	Description	RFQ Qty	UoM	Required Del date	Confirm Del date	Unit Price Excl	Total Price Excl
------	----------	-------------	---------	-----	-------------------	------------------	-----------------	------------------

Yours faithfully,

Delivery Address
TFR RME Richards Bay
Old Naval Base, Commodores Clo
Meerensee, Richards Bay
3900

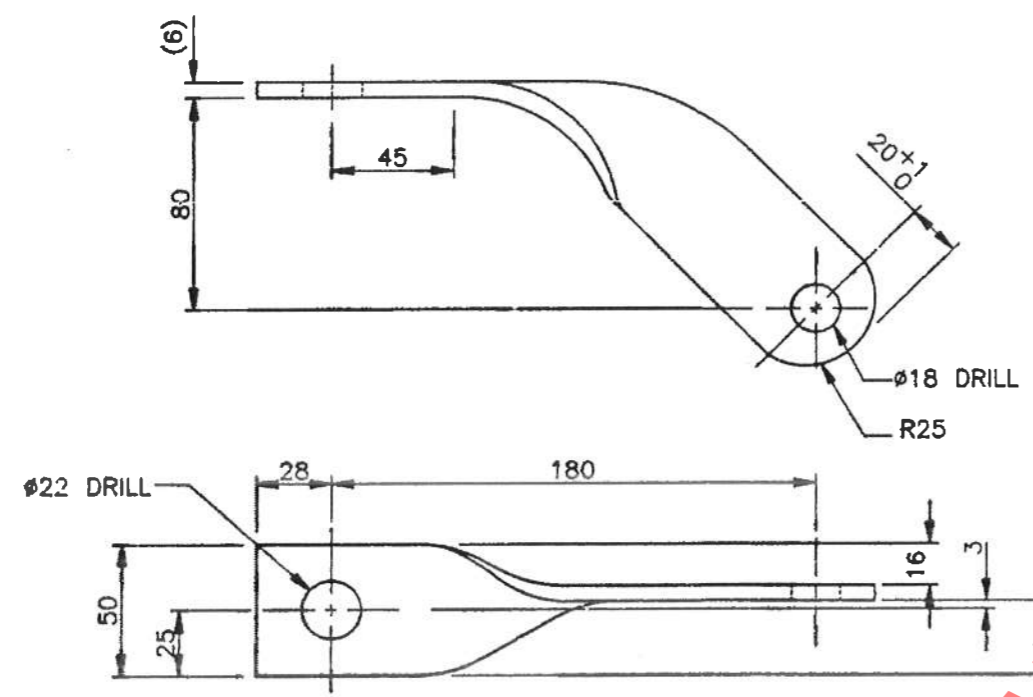
This RFQ is subject to the following conditions:

1. Price/s : The price/s quoted in SA currency and is excluding of V.A.T
2. Delivery : The price/s quoted should include delivery cost to the delivery address stated on the RFQ
3. Returnables : A valid tax clearance certificate and BBBEE certificate from a SANAS accredited verification agency attached to quotation for all quotes above R30 000.
Please note that only the official Transnet RFQ will be accepted and all other correspondence to be attached to the original
4. Safety : To confirm to Transnet Capital Projects Health & Safety plan and specification; HAS-std-0001, copy available on request.
5. Confirmation: To confirm your participation in this tender process please sign and return this document as immediate effect prior to the quotation deadline.
6. Negotiations: The Employer may elect to negotiate the final terms of the contract/order with the preferred tenderer in accordance with Clauses F.2.17 and F.3.13 of the CIDB Standard Conditions of Tender. A copy of which is available upon request.

Signature

Date

Rev: 10342035



NOTE
ZINC COAT TO SABS 763 FOR CONDITIONS IN SITU.

AMENDMENTS		
NO	NAME	DATE
1	JVT	95-09-11

REVISED, DRG NO WAS CEE-TN-362.
DO REF: T95/051

MATERIAL: ITEM NO 11/012279, STEEL, FLAT 50 x 6 THK	
DO REF: C79/72	GEN TOL: LIN± 0,5 ANG± —
DRN: A BOTHA	CKD: I THOMPSON DATE: 72-05-02
ENG: K KALMER	FH PIENAAR for CHIEF ENG
INFRASTRUCTURE (ELECTRICAL)	SPOORNET

ADAPTOR PLATE (TWISTED)

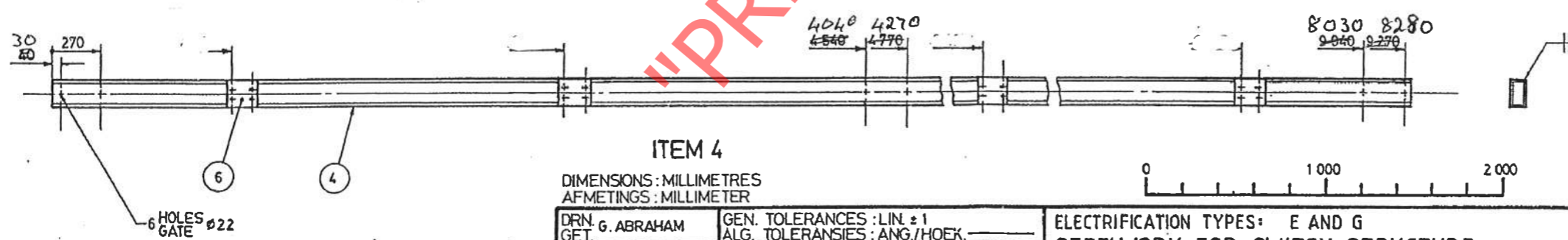
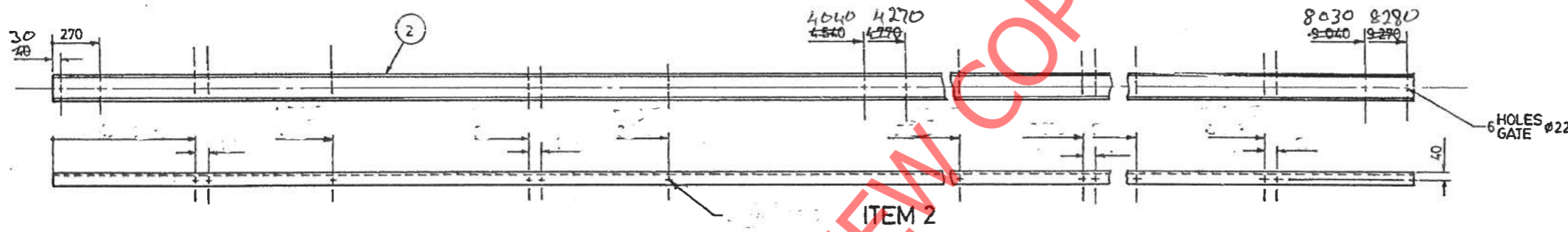
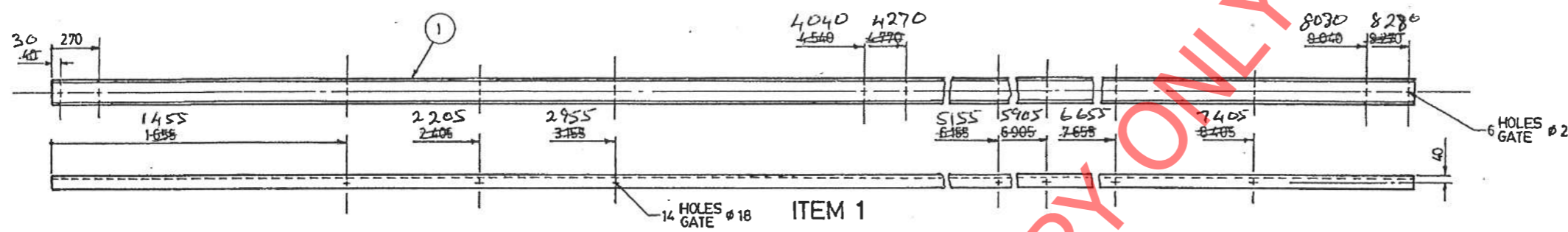
STORES ITEM NO
DIMENSION: mm SCALE: 1:2
A3
DRAWING NO CEE-TNE-32
SHEET — OF —

"PREVIEW COPY ONLY"

T0000964

FINISH : ZINC COAT TO
AFWERKING: SINKBEDEK VOLG. SABS 763

ITEM	DESCRIPTION - BESKRYWING	QTY HVLD	STORES ITEM MAGASYSTEM NO.	DRG. NO. CEE-	AMENDMENTS WYSIGINGS
1	CHANNEL STEEL 180x70x22kg/m x 8310 L (M) 11/4208 KANAAL, STAAL 180x70x22kg/m x 8310 L (M) 11/4208	1			NO. NAME NAAM DATE DATUM
2	CHANNEL STEEL 180x70x22kg/m x 8310 L (M) 11/4208 KANAAL, STAAL 180x70x22kg/m x 8310 L (M) 11/4208	1			1 F HEYL 87/04/15
3	CHANNEL STEEL 100x50x10.6 kg/m x 8310 L (M) 11/4119 KANAAL, STAAL 100x50x10.6 kg/m x 8310 L (M) 11/4119	1			TITLE REVISED. ASSY NO AND ELECT TYPES ADDED.
4	CHANNEL STEEL 152x76x17.86 kg/m x 8310 L (M) 11/4208 KANAAL, STAAL 152x76x17.86 kg/m x 8310 L (M) 11/4208	1			TITEL HERSIEN.SAMEST NO EN ELEKT TIPES BYGEVOEG
5	MOUNTING PLATE FOR SWITCH ROD GUIDE MONTEERPLAAT VIR SKAKELAARSTANG LEISTOK	4		TMHF-50 ITEM-2	DO REF TK-VERW T87/50
6	MOUNTING PLATE FOR SWITCH HANDLE MONTEERPLAAT VIR SKAKELAARHANDVATSEL	4		TMHF-58 ITEM-1	

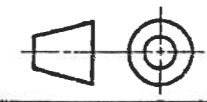
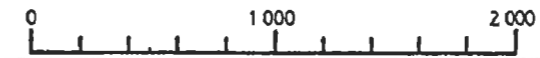


DIMENSIONS: MILLIMETRES
AFMETINGS: MILLIMETER

DRN. G. ABRAHAM GET.	GEN. TOLERANCES: LIN ± 1 ALG. TOLERANSIES: ANG/HOEK
TRCD. G. ABRAHAM NGT.	DO REF. T2/82/90 TK-VERW
CKD NGS. A. VORSTER	DATE DATUM 84-11-12
CHIEF ELECTRICAL ENGINEER JOHANNESBURG. ELEKTRIESE HOOFINGENIEUR	
SOUTH AFRICAN TRANSPORT SERVICES. SUID-AFRIKAANSE VERVOERDIENSTE.	

ELECTRIFICATION TYPES: E AND G
STEELWORK FOR SWITCH STRUCTURE

ELEKTRIFIKASIE TIPES: E EN G
STAALWERK VIR SKAKELSTRUKTUUR



CEE-TMG-81,158
ASSY DRG/SAMEST-TEK
ELECTRIFICATION TYPES REF
DRG NO CEE-MA-26 SH 7B
ELEKTRIFIKASIE TIPES VERW
TEK NO CEE-MA-369 VEL 7B
DRAWING NO. CEE-
TMF-494

"PREVIEW COPY ONLY"

TMF-494

A2