



Transnet SOC Limited
Transnet RME

REQUEST FOR QUOTATION

TFR RME RFQ BOARD
TRANSNET FREIGHT RAIL RME
XXXXXXXXXX
XXXXXXXXXXXXXXXXXX

Registration Number: 1990/000900/06
Vat Number : 4720103177

Attention:
TFR RME RFQ BOARD
Telephone Number :
Fax Number :
Vendor Number :500000

Quotation Deadline Date : 26.09.2013
Quotation Deadline Time : 16H00

REQUEST for QUOTATION
Transnet RME
RFQ Number / Date
6000174881 / 18.09.2013
Contact Person / Telephone
Anne Mongie / 031 361 1759
Return to VAX Number/EMAIL
0318300001 / TCPtendersDurban@Transnet.net

Item	Material	Description	RFQ Qty	UoM	Required Del date	Confirm Del date	Unit Price Excl	Total Price Excl
00010		CROSBY CLAMP STAINLESS	1	ea	02.10.2013			
CROSBY CLAMP STAINLESS STEEL M12 FOR MORE INFORMATION PLEASE CONTACT DEES (0832789364)								
00020		STEADY ARM SOCKET	200	ea	02.10.2013			

STEADY ARM SOCKET (CEE-TNB-76)

QUOTATION DEADLINE : 29 SEPTEMBER 2013 AT 16H00.
QUOTES MUST BE FAXED TO : 0318300001 OR MAILED TO :
TCPtendersDurban@transnet.net

KINDLY ATTACH COPIES OF BBBEE AND TAX CLEARANCE CERTIFICATES TO QUOTES.
ALL PROCUREMENT RELATED QUERIES TO BE DIRECTED TO :



Transnet SOC Limited
 Transnet RME
 TFR RME RFQ BOARD
 TRANSNET FREIGHT RAIL RME
 XXXXXXXXXX
 XXXXXXXXXXXXXXXXXXXX
 0000

REQUEST FOR QUOTATION

Registration Number: 1990/000900/06
 Vat Number : 4720103177

Attention:
 TFR RME RFQ BOARD
 Telephone Number :
 Fax Number :
 Vendor Number :500000

Quotation Deadline Date : 26.09.2013
Quotation Deadline Time : 16H00

REQUEST for QUOTATION
 Transnet RME
RFQ Number / Date
 6000174881 / 18.09.2013
Contact Person / Telephone
 Anne Mongie / 031 361 1759
Return to VAX Number/EMAIL
 0318300001 / TCPtendersDurban@Transnet.net

Item	Material	Description	RFQ Qty	UoM	Required Del date	Confirm Del date	Unit Price Excl	Total Price Excl
------	----------	-------------	---------	-----	-------------------	------------------	-----------------	------------------

ANNE MONGIE : 031 361 1759
 E-MAIL : anne.mongie@transnet.net
 ALL TECHNICAL QUERIES TO BE DIRECTED TO :
 DEES ON 0832789364

"PREVIEW COPY"



Transnet SOC Limited
 Transnet RME
 TFR RME RFQ BOARD
 TRANSNET FREIGHT RAIL RME
 XXXXXXXXXX
 XXXXXXXXXXXXXXXXXXXX
 0000

REQUEST FOR QUOTATION

Registration Number: 1990/000900/06
 Vat Number : 4720103177

Attention:
 TFR RME RFQ BOARD
 Telephone Number :
 Fax Number :
 Vendor Number :500000

Quotation Deadline Date : 26.09.2013
Quotation Deadline Time : 16H00

REQUEST for QUOTATION
 Transnet RME
RFQ Number / Date
 6000174881 / 18.09.2013
Contact Person / Telephone
 Anne Mongie / 031 361 1759
Return to VAX Number/EMAIL
 0318300001 / TCPtendersDurban@Transnet.net

Delivery Address

TFR RME Durban
 100 Eel Road
 Bayhead, Durban
 4001

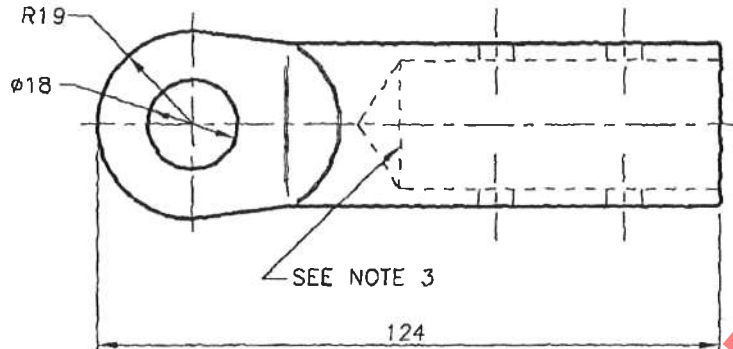
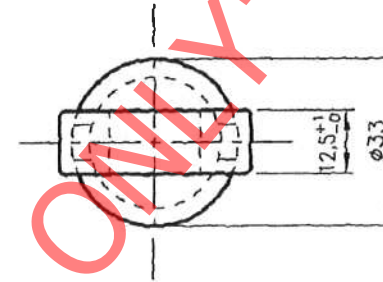
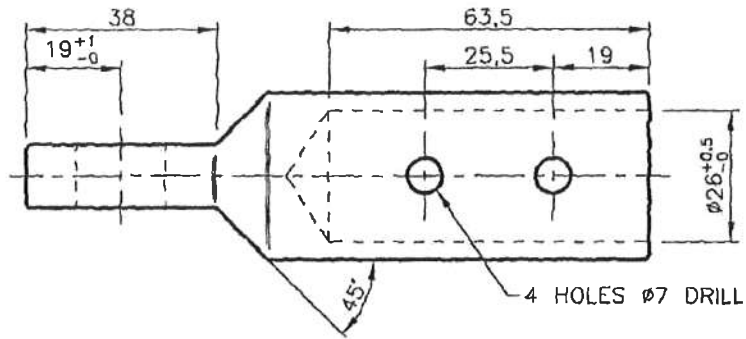
This RFQ is subject to the following conditions:

1. Price/s : The price/s quoted in SA currency and is excluding of V.A.T
2. Delivery : The price/s quoted should include delivery cost to the delivery address stated on the RFQ
3. Returnables : A valid tax clearance certificate and BBBEE certificate from a SANAS accredited verification agency attached to quotation for all quotes above R30 000.
Please note that only the official Transnet RFQ will be accepted and all other correspondence to be attached to the original
4. Safety : To confirm to Transnet Capital Projects Health & Safety plan and specification; HAS-std-0001, copy available on request.
5. Confirmation: To confirm your participation in this tender process please sign and return this document as immediate effect prior to the quotation deadline.
6. Negotiations: The Employer may elect to negotiate the final terms of the contract/order with the preferred tenderer in accordance with Clauses F.2.17 and F.3.13 of the CIDB Standard Conditions of Tender. A copy of which is available upon request.

Signature _____

Date _____

10340424



NOTES

1. ALL UNSPECIFIED RADII R3
2. THE FOLLOWING PERMANENT MARKINGS MUST APPEAR ON THIS ARTICLE:
 - a) SPOORNET
 - b) MAKER'S IDENTIFICATION
 - c) BATCH NUMBER
3. BOTTOM OF HOLE: FLAT OR DRILL POINTED

FINISH

ZINC COAT TO SPEC. 763 FOR CONDITIONS IN SITU

AMENDMENTS		
NO	NAME	DATE
1	J v DYK	2000-10-30

REDRAWN. DRG NO WAS CEE-TN-402. DO REF T95/067

DIMENSIONS: mm
SCALE: 1:1

A3

DRAWING NO CEE-TNB-76

SHEET — OF —

MATERIAL: ITEM NO -, SPHEROIDAL GRAPHITE IRON TO SPEC SABS 936 GRADE SG 50

DO REF: J71/228 GEN TOL: LIN± 1 ANG± 1°

DRN: J W N CKD: - DATE: 68-03-18

ENG: D C W PHILLIPS for CHIEF ENG

INFRASTRUCTURE
(ELECTRICAL)



ADAPTER, INSULATOR
STEADY ARM SOCKET