

Ref: 10333612

		AMENDMENTS		
		NO	NAME	DATE
		1	A V	92-8-4
		REDRAWN. ITEM 2 ADDED. DRG NO WAS CEE-TMHA-182. DO REF T91/037		
		STORES ITEM NO		
		DIMENSIONS, mm SCALE 1:2		
MATERIAL: ITEM NO 11/14521. STEEL, ANGLE 80x80x10x70L. SPEC CME 9 SYM 8.				
DO REF T2/80/8	GEN TOL, LIN± 0,5 ANG± 2°	ELECTRIFICATION TYPE, 3kV DC FIXED CANTILEVER.		
DRND. THOMPSON	CKD B. STEWART	DATE 80-09-17	GUSSET, LOCKING.	
ENG	F. PIENAAR	for CHIEF ENG	STEADY ARM ATTACHMENT.	
INFRASTRUCTURE (ELECTRICAL)				
		DRG NO CEE- TMFB-66 SHT - OF -		

"PREVIEW COPY ONLY"

3

Δ

4



4

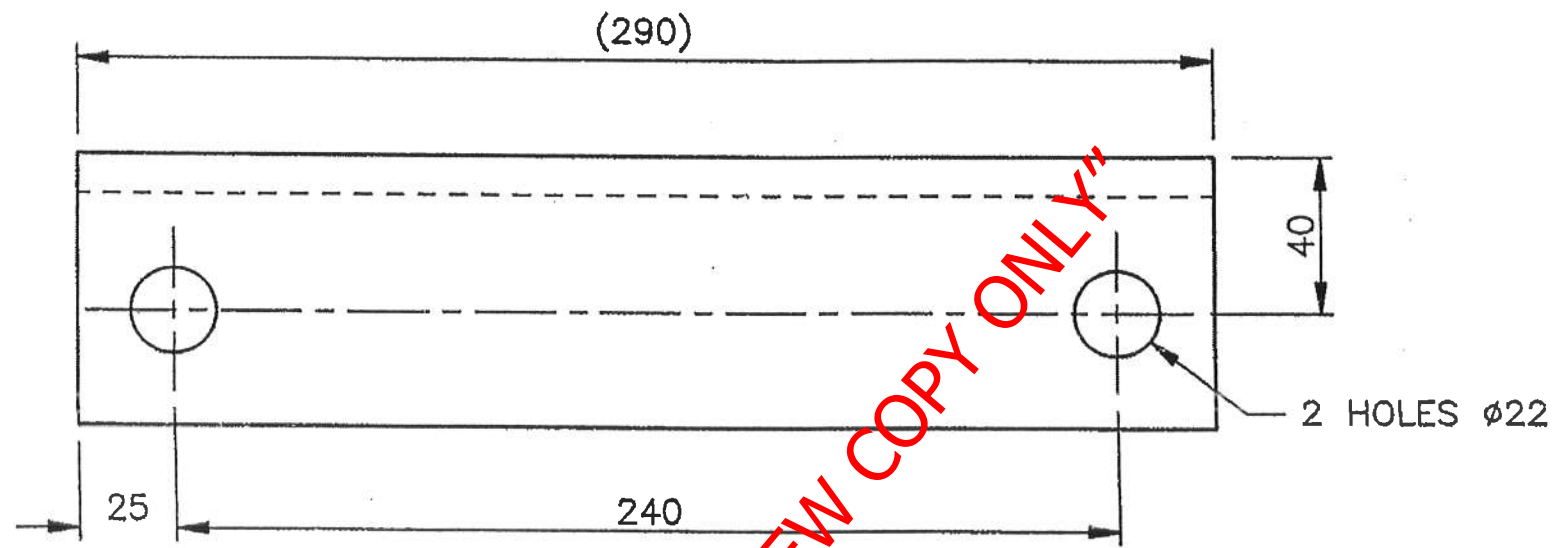
Δ

3

Ref: 103 33612.

AMENDMENTS		
NO	NAME	DATE
1	JVT	97-09-05

REVISED, DRAWING NO WAS TMHA-90. DO REF: T96/021



"PREVIEW COPY ONLY"

FINISH
 ITEM 1: ZINC COAT TO SABS 763 FOR CONDITIONS IN SITU.
 ITEM 2: NOT ZINC COATED.

DIMENSIONS: mm
 SCALE: 1:2

MATERIAL: STORES ITEM NO: 11/14508, STEEL, ANGLE, 70 x 70 x 10 x 290 LG.

DO REF: Y76/43	GEN TOL: LIN± 1,5	ANG± -
DRN: B v RENSBERG	CKD: W.R.G.	DATE: 78-03-31
for ENG: I DE V	F PIENAAR	for CHIEF ENG

CLAMPING BRACKET
 203 x 203 UNIVERSAL COLUMNS

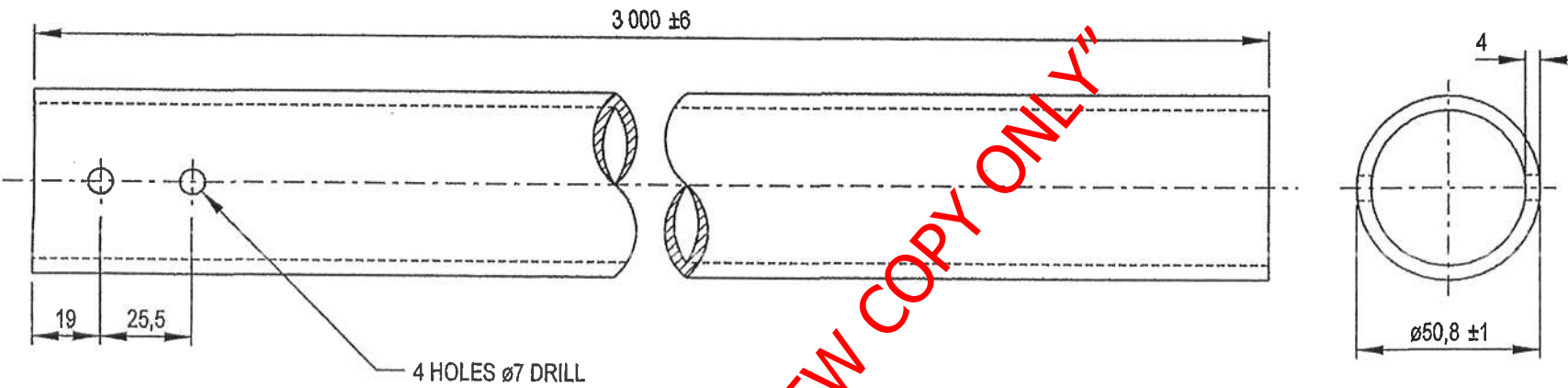


DRG NO CEE-
TMFB-145
 SHT - OF -

INFRASTRUCTURE
 (ELECTRICAL)



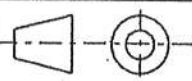
QF0: 10333 611




"PREVIEW COPY ONLY"

FINISH
ZINC COAT TO SPEC SANS 121

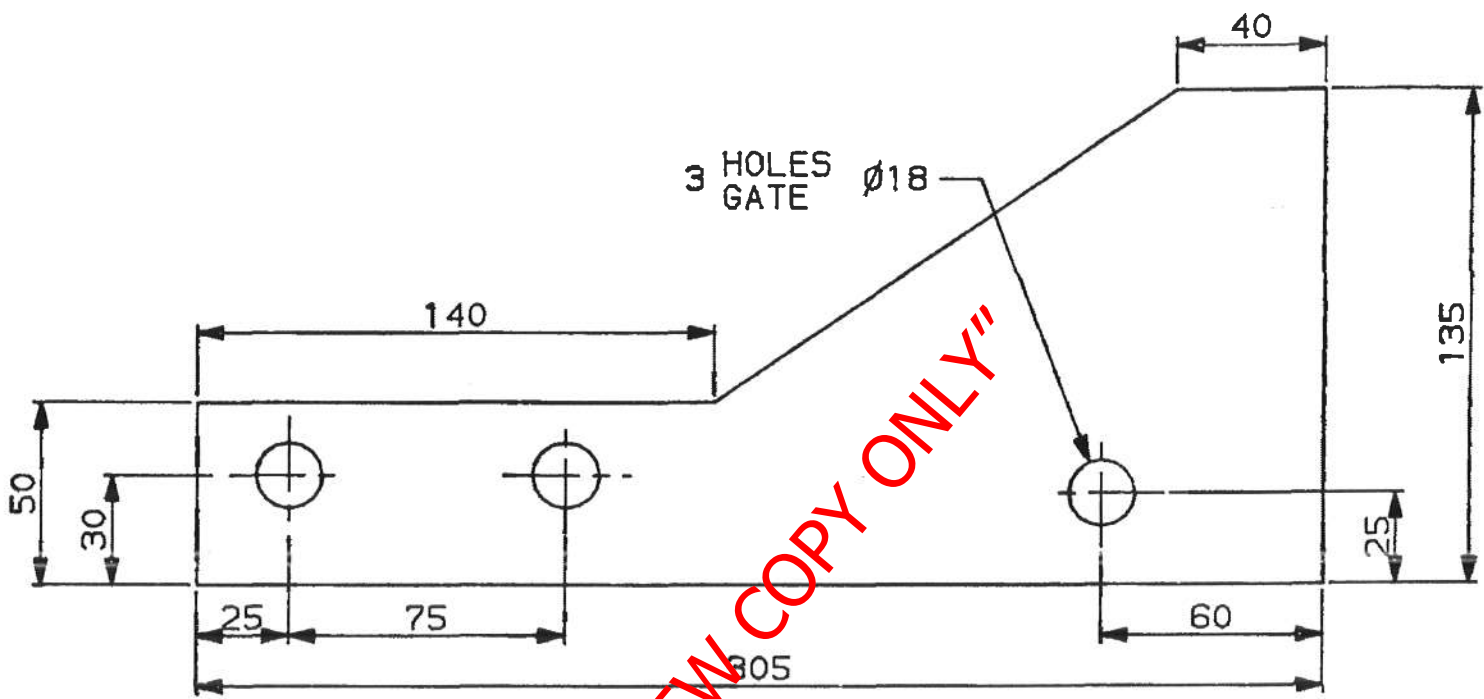
AMENDMENTS		
NO	NAME	DATE
2	J v Dýk	2003/02/18
REVISED, RENUMBERED AND REDRAWN. DRG NO WAS CEE-TMHH-16 DO REF: CDO/2354		
3	<i>[Signature]</i>	19/05/05
PIPE DIA. WAS ø48,7/47,9 AND LENGTH WAS 3 050. ECP REF: BBB8668 DO REF: CDO/4179		

STORES ITEM NO 54/1407
DIMENSIONS: mm SCALE: 1:2
 A4
DRAWING NO CEE-TND - 38
SHEET - OF -

MATERIAL: METAL TUBE, STEEL TO SPEC SANS 657 - 1		
DO REF: J71/228	GEN TOL: LIN ± 0,5	ANG ± -
DRN: J V S	CKD: E L S	DATE: 56-10-16
ENG: E P A	W LEHMAN	for CHIEF ENG
CENTRAL DRAWING OFFICE  SPOORNET		

PUSH- PULL- OFF TUBE

REQ: 10333662



AMENDMENTS WYSIGINGS		
NO	NAME NAAM	DATE DATUM
1	A. J. V	90-6-18

FRAME REVISED
RAAM HERSIEN.
DO REF
TK-VERW T90/23

MATERIAL / MATERIAAL
STEEL FLAT 12 THK
STAAL, PLAT 12 DIK
STORES ITEM NO 11/ —
MAGASYNITEM
SPEC CME 9 SYM 8
SPES CME 9 SIM 8

FINISH / AFWERKING
ZINC COAT TO SPEC SABS 763.
SINKBEDEK VOLG SPES



DO REF TK-VERW Y77/53	GEN TOL: LIN±1 ALG TOL: ANG/HOEK±	DATE DATUM 80-3-28
DRN GET AJ VORSTER	ENG IR	

PUSH-PULL-OFF ADAPTOR
PLATE FOR HOCKEY STICK.
TREK-STOOTARMPASSTUK
VIR KROMSLINGERINGSARM.

STORES ITEM NO
MAGASYNITEM- No

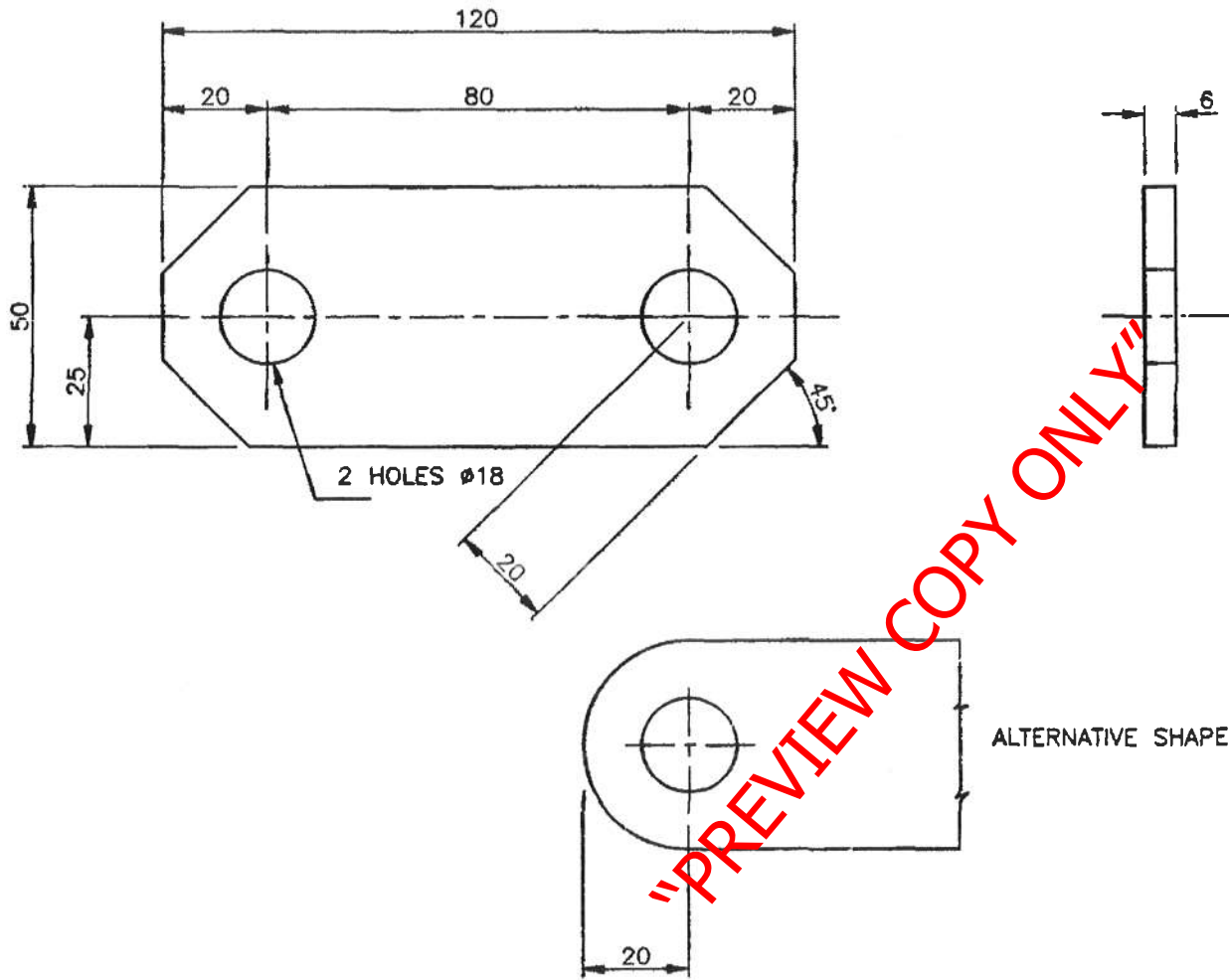
DRG
TEK No CEE-
TN-135

SHEET OF
VEL VAN

_____ for
n.
CHIEF ENGINEER (POWER SUPPLIES) INFRASTRUCTURE
HOOFINGENIEUR (KRAGVOORSIENING) INFRASTRUKTUUR



REF: 10333661



"PREVIEW COPY ONLY"

AMENDMENTS		
NO	NAME	DATE
1	JVT	95-09-11

REVISED, DRG NO. WAS CEE-TN-369.
DO REF: T95/052

NOTE
FINISH: ZINC COAT TO SPEC. SABS 763.

STORES ITEM NO. 54/002171
DIMENSIONS: mm SCALE: 1:1

MATERIAL: ITEM NO 11/012279, STEEL, FLAT 6 THK.	
DO REF: —	GFN TOL: LIN± 0,5 ANG± —
DRN: M ELLIS	CKD: H.N. DATE: 18/3/88
ENG: DH MCCARTHY	W PHILLIPS for CHIEF ENG
INFRASTRUCTURE (ELECTRICAL)	SPOORNET

ADAPTOR PLATE

	A3
DRAWING NO CEE-	
TNE-33	
SHEET — OF —	

T0000952

Req: 10333660

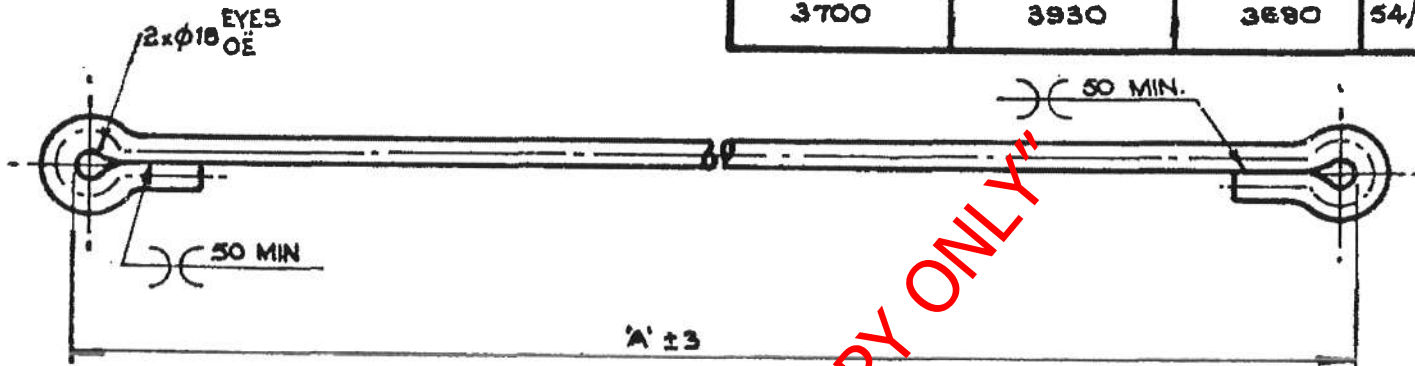
ORIGINAL FRAME SIZE
OORSPRONKLIKE RAAMGROOTTE 267 x 180



MAST ϕ - TRACK ϕ MAS ϕ - SPOOR ϕ	DEVELOPED LENGTH ONTWIKKELDE LENGTE	DIMENSION 'A' AFMETING 'A'	STORES ITEM NO MAGASYN ITEM NO
2750	3015	2765	54/110227
3200	3450	3200	54/110283
3700	3930	3680	54/110231

AMENDMENTS
WYSIGINGS.

NO.	NAME NAAM.	DATE DATUM.
6	W.R.G.	28-3-78



REDRAWN ASSY. NO'S FOR UNIVERSAL COLUMNS ADDED. WELDING NOTE ADDED OORGETEKEN. SAMES NO'S. VIR UNIVERSELE KOLOMME BYGEVOEG D.O. REF. Y76/43 TK-VERW.

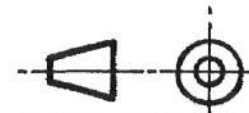
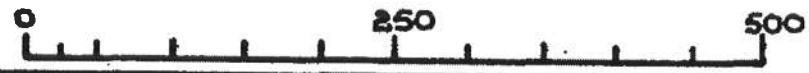
7.	W.R.G.	78-06-30
----	--------	----------

ASSY. DRG. NO'S 40 AND 51 REMOVED. SAMES-TEK. NO'S 40 EN 51 VERWYDER. D.O. REF. Y77/108 TK-VERW.

DIMENSIONS : MILLIMETRES.
AFMETINGS : MILLIMETER.

MATERIAL ~ MATERIAAL
STEEL, ROUND. ϕ 16
STAAL, ROND. ϕ 16
SPEC. CME 9 SYM. 7
SPES. CME 9 SYM. 7
STORES ITEM NO. 11/21532
MAGASYN ITEM NO. 11/21532
OR COMMERCIAL GRADE.
OF HANDELSGRAAD.

NOTE : WELDING TO CONFORM TO B.S. 5135
OPMERKING : SWELSWERK MOET VOLDOEN AAN B.S. 5135
FABRICATION : FORM EYES AT 850°-900°C AND ALLOW TO COOL FREELY IN AIR.
VERVAARDIGING : VORM OË TEEN 850°-900°C EN LAAT VRYLIK IN LUG AFKOEL.
FINISH : ZINC COAT TO SPEC S.A.B.S. 763.
AFWERKING : SINKBEDEK VOLGENS SPES. S.A.B.S. 763.



CEE TMG 60
CEE TMG 39,49

DRN. GET. A.J.S.	GEN. TOLERANCES: LIN. \pm 1 ALG. TOLERANSIES: ANG./HOEK. —	
TRCD. NGT. Y. SWART	D.O. REF. TK-VERW. —	ENG. IR. —
CKD. NGS. F.W.C.	DATE. DATUM. 8-4-65	R. BARNES. for DS

TIE-BAR FOR TUBULAR CANTILEVERS.
NON STAGGERED CATENARY
KOPPELSTAAF VIR BUISVORMIGE VRYDRAERARMS.
NIE - GESLINGERDE DRAKABEL

ASSY. DRG./SAMES-TEK.
DRAWING. NO. CEE
TEKENING.

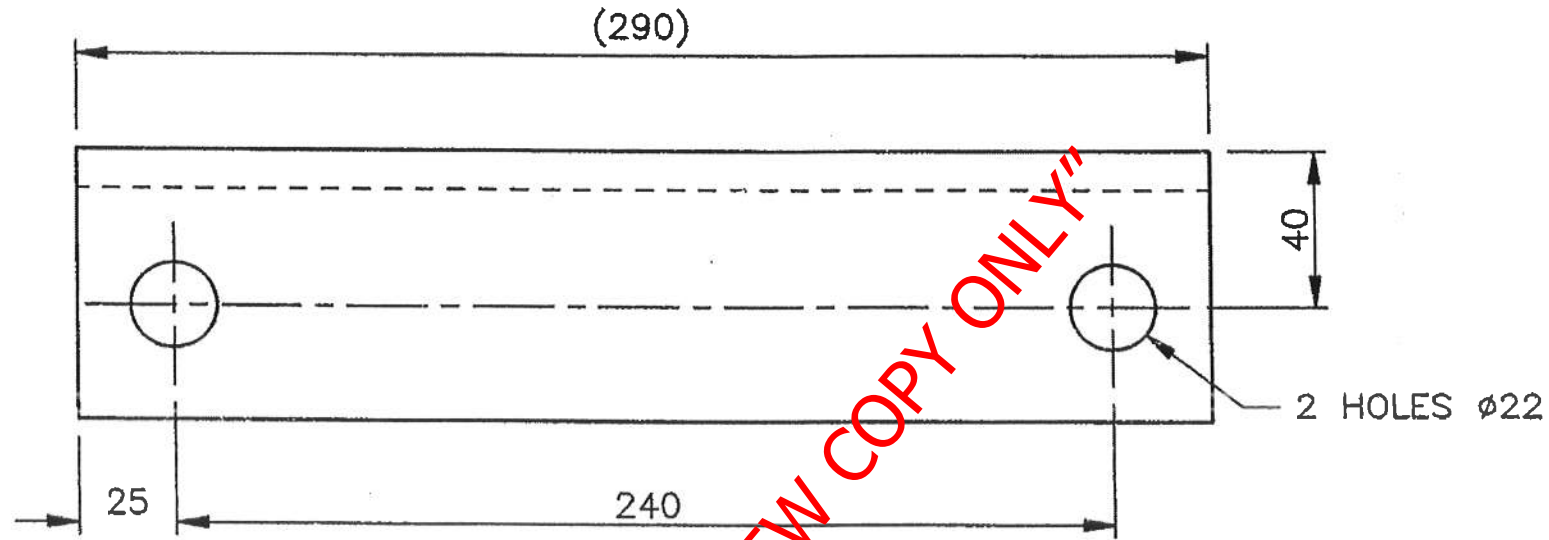
TMHB 3

CHIEF ELECTRICAL ENGINEER. S.A.S. JOHANNESBURG
ELEKTROTEGNIESE HOOFINGENIEUR. S.A.S. JOHANNESBURG

A4
A4

Req: 10333659

AMENDMENTS		
NO	NAME	DATE
1	JVT	97-09-05
REVISED, DRAWING NO WAS TMHA-90. DO REF: T96/021		



"PREVIEW COPY ONLY"

FINISH
 ITEM 1: ZINC COAT TO SABS 763 FOR CONDITIONS IN SITU.
 ITEM 2: NOT ZINC COATED.

DIMENSIONS: mm
 SCALE: 1:2

MATERIAL: STORES ITEM NO: 11/14508, STEEL, ANGLE, 70 x 70 x 10 x 290 LG.

DO REF: Y76/43 GEN TOL: LIN± 1,5 ANG± -
 DRN: B v RENSBURG CKD: W.R.G. DATE: 78-03-31
 for ENG: I DE V F PIENAAR for CHIEF ENG

CLAMPING BRACKET
 203 x 203 UNIVERSAL COLUMNS



DRG NO **CEE-**
TMFB-145
 SHT - OF -

INFRASTRUCTURE
 (ELECTRICAL)

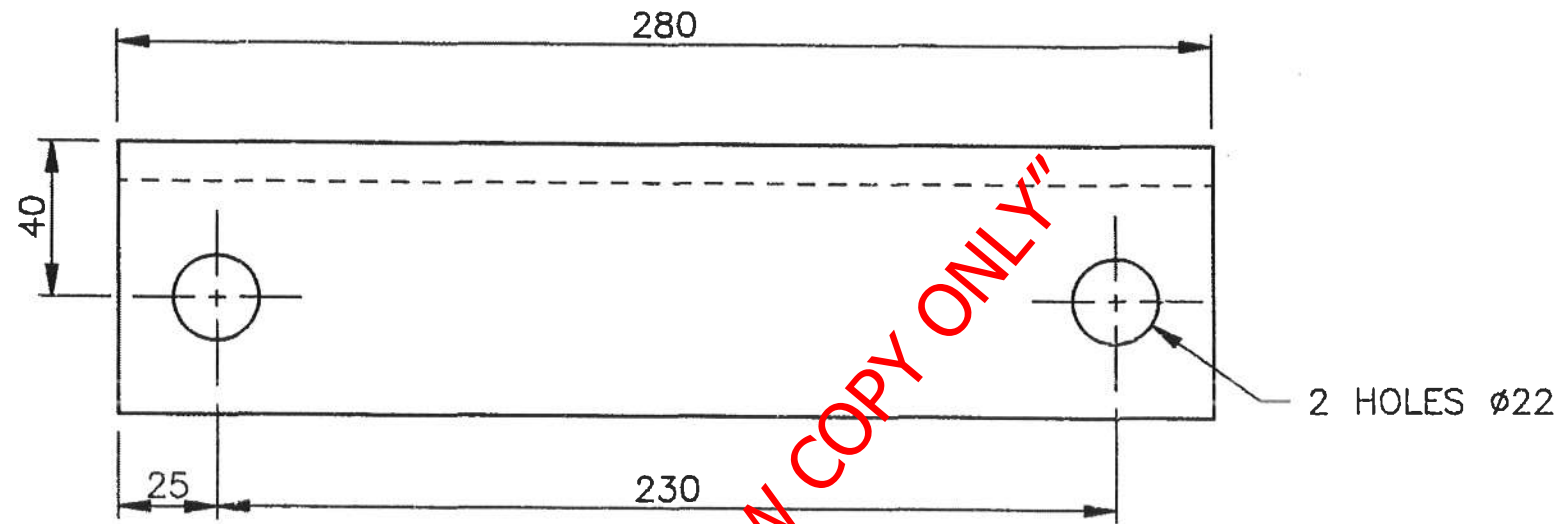


Rea: 10333658

AMENDMENTS

NO	NAME	DATE
1	JVT	95-09-12

DRG REVISED.
PREVIOUS NO. WAS
CEE-TMHA-84.
DO REF: T95/055



"PREVIEW COPY ONLY"

FINISH
ZINC COAT TO SABS 763 FOR CONDITIONS IN SITU
WHEN NOT PART OF WELDING COMPONENT.

DIMENSIONS: mm
SCALE: 1:2

MATERIAL: ITEM NO 11/14508, STEEL, ANGLE, 70 x 70 x 10 x 280 LG

DO REF: Y76/43 GEN TOL: LIN \pm $\pm 1,5$ ANG \pm -
 DRN: B v RENSBURG CKD: W.R.G. DATE: 78-03-31
 ENG: J DE V. P. PIENAAR for CHIEF ENG

CLAMPING BRACKET
UNIVERSAL COLUMNS AND CONCRETE MAST

INFRASTRUCTURE
(ELECTRICAL)



DRG NO CEE-
TMFB-138
SHT - OF -

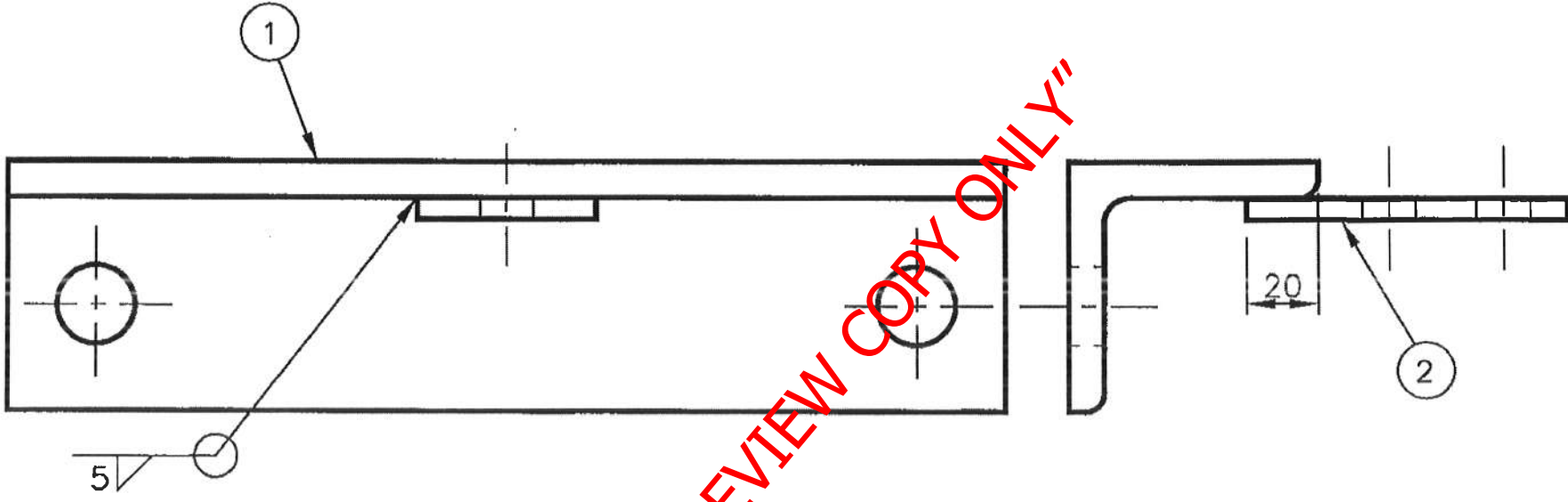
T0000973

V20. 10333657

ITEM	DESCRIPTION	QTY	STORES	ITEM NO	DRG NO CEE-
1	CLAMPING BRACKET	1	_____	_____	TMFB-138
2	EARTH WIRE CLEAT	1	_____	_____	TMHF-20

AMENDMENTS		
NO	NAME	DATE
1	J v DYK	2000-10-30

REDRAWN. DRG NO WAS CEE-TMF-202. DO REF T95/067



"PREVIEW COPY ONLY"

NOTE
 WELDING TO CONFORM TO SPEC. B.S. 5135.
 FINISH
 ZINC COAT TO SPEC. SABS 763 FOR CONDITIONS IN SITU.

DIMENSIONS: mm
 SCALE: 1:2

DO REF: Y76/43	GEN TOL: LIN± 1 ANG± -
DRN: B v RENSBURG	CKD: W R G DATE: 78-03-31
ENG: J de VILLIERS	F PIENAAR for CHIEF ENG

CLAMPING BRACKET
EARTH WIRE CLEAT
 CANTILEVER & BOOM STRUCTURES
 203 x 203 UNIVERSAL COLUMNS.



DRG NO **CEE-**
TMFB-168
 SHT - OF -

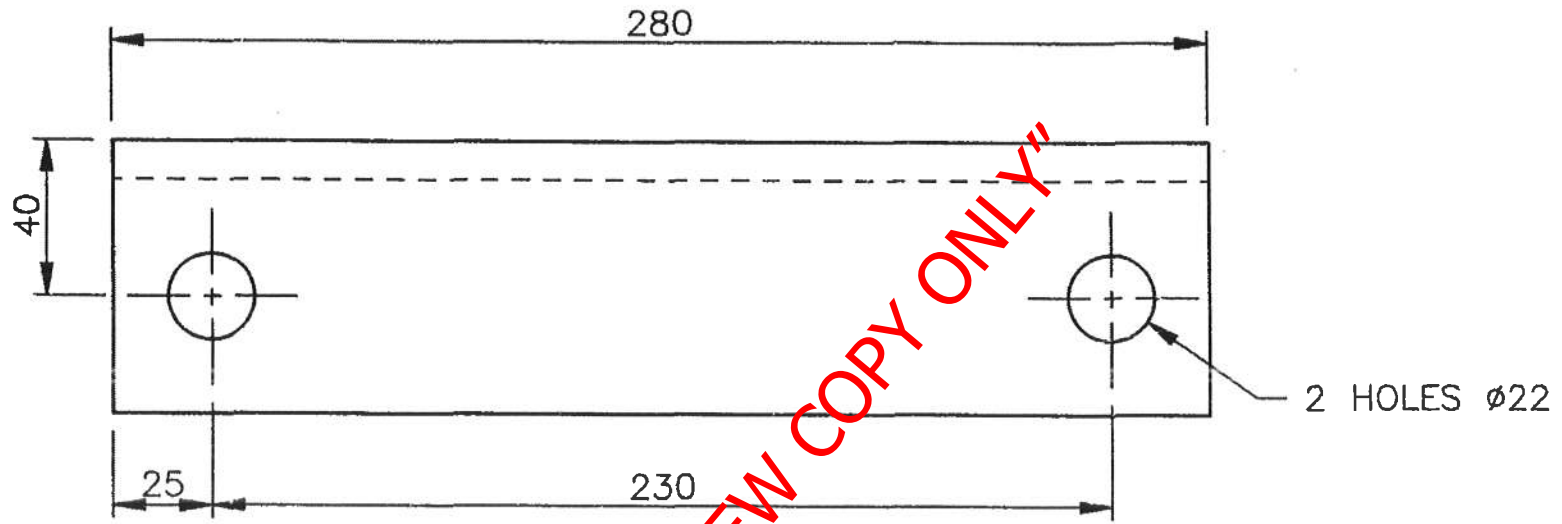
INFRASTRUCTURE
 (ELECTRICAL)



REQ: 10333657

AMENDMENTS		
NO	NAME	DATE
1	JVT	95-09-12

DRG REVISED.
PREVIOUS NO. WAS
CEE-TMHA--84.
DO REF: T95/055



"PREVIEW COPY ONLY"

FINISH
ZINC COAT TO SABS 763 FOR CONDITIONS IN SITU
WHEN NOT PART OF WELDING COMPONENT.

DIMENSIONS: mm
SCALE: 1:2

MATERIAL: ITEM NO 11/14508, STEEL, ANGLE, 70 x 70 x 10 x 280 LG

DO REF: Y76/43	GEN TOL: LIN± ±1,5 ANG± -
DRN: B v RENSBURG	CKD: W.R.G. DATE: 78-03-31
ENG: J DE V.	P. PIENAAR for CHIEF ENG

CLAMPING BRACKET
UNIVERSAL COLUMNS AND CONCRETE MAST



DRG NO **CEE-TMFB-138**
SHT - OF -

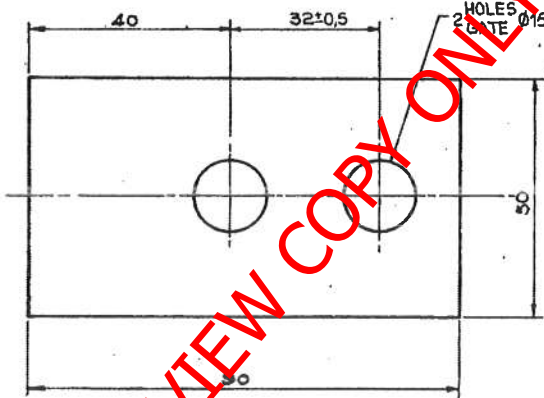
INFRASTRUCTURE
(ELECTRICAL)



T0000973

Req. 10333657

ORIGINAL FRAME SIZE
OORSPRONKLIKE RAAMGROOTTE 267 x 180

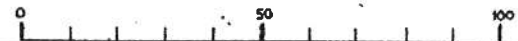


DIMENSIONS: MILLIMETRES.
AFMETINGS: MILLIMETER

MATERIAL - MATERIAAL

METAL BAR
METALSTAAF
STEEL, FLAT 50x6
STAAL, PLAT
SPEC. CME 9 SYM. 7.
SPES. S.M.
STORES ITEM NO.(N)/12279
MAGASYNITEM

SUBSEDES ITEM 2 DRG. ENW-E1J-189
VERVANG VERRANG TEK.



GENERAL TOLERANCES
ALGEMENE TOLERANSIES L IN. ±1

ANG.
HOEK.

DRN. F.W.C.	CKD. NGS.	G.W.M.	ENG. IR.
-------------	-----------	--------	----------

ENG. IR.

D.O. REF. TK. VERW.	DATE DATUM 15-10-62	T.C. BROOK for
---------------------	---------------------	----------------

T.C. BROOK for

CHIEF ELECTRICAL ENGINEER
ELEKTROTEGNIESE HOOFINGENIEUR

SAR. JOHANNESBURG
SAS. JOHANNESBURG

CLEAT FOR EARTH WIRE.
CANTILEVERS AND BOOMS.
I-MASTS & UNIVERSAL COLUMNS.

KLEM VIR AARDDRAAD.
VRYDRAERS EN BALKE.
I MASTE EN UNIVERSELE KOLOMME.

AMENDMENTS
WYSIGINGS

Nb	NAME NAAM	DATE DATUM
7	W.K. I	19-06-61

REDRAWN. NO DIM. -
CHANGES. TITZL REVISED.
ASSY. NOS FOR UNIVERSAL
COLUMNS ADDED.
OORSETEKEN. GEEN VER-
ANDERING AAN AFMET.
SAMES. NOS. VIR
UNIVERSELE KOLOMME
BYGEVOEG.
D.O. REF. Y.76/43.
TK-VERW. Y.76/43.

CEE-TMF-202
CEE-TMF-126
ASSY. DRG/SAMES. TEK.

DRAWING. No CEE
TEKENING. No CEE
TMHF 20

3

A4

A4

4

4

3

REQ: 103 33656

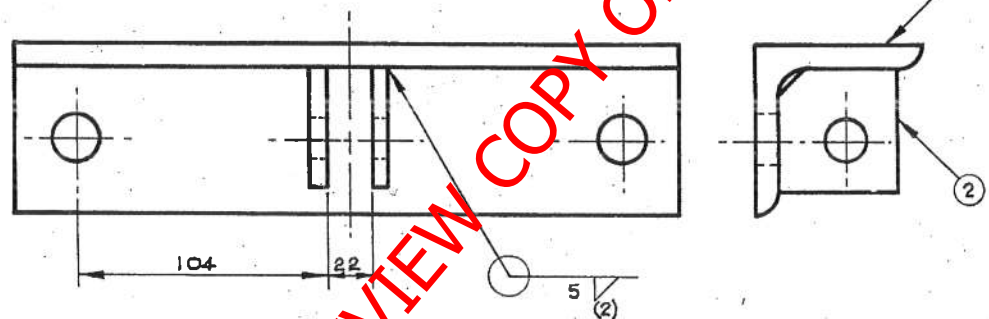
ORIGINAL FRAME SIZE
OORSPRONKLIKE RAAMGRDOTTE 267 X 180



ITEM	DESCRIPTION BESKRYWING	QTY. HVL.D.	STORES ITEM MAGASYNITEM	DRG. TEK.	NO. CEE	AMENDMENTS WYSIGINGS		
						NO.	NAME NAAM	DATE DATUM
1.	CLAMPING BRACKET KLAMPSTEUN	1	TMF B-138	TMF B-138	ITEM 1			
2.	CLEVISPLATE VURKPLAAT	2		TMHF - 21		1.	J. Jacobson	78-05-23

NOTE/OPMERKING.
1. WELDING TO CONFORM TO
SWEISWERK MOET VOLDOEN AAN B.S. 515

NOTE 2 ADDED.
OPM. 2. BYGVOEG
D.O. REF. Y78/50
TK.-VERW.



2. ZINC COAT TO SABS 763
SINKBEDEK VOLG.

DIMENSIONS: MILLIMETRES.
AFMETINGS: MILLIMETER.

DRN. GET.	B.V. RENSBURG	GEN. TOLERANCES: LIN. ±1 ALG. TOLERANSIES: ANG./HOEK	
TRCD. NGT.	B.V. RENSBURG	D.O. REF. TK. VERW.	Y76/43
CKD. NGS.	W.R.	DATE DATUM	78-05-23
CHIEF ELECTRICAL ENGINEER. ELEKTROTEGNIËSE HOOFINGENIEUR.		S. A. R. JOHANNESBURG	

BRACKET-TIE BAR CLEVIS.
TUBULAR CANTILEVER ON
203X203 UNIVERSAL COLUMNS
STEUNSTUK-VIRBINDINGSTANGVURK
BUISVORMIGE VRYDRAERARM OP
203X203 UNIVERSELE KOLOMME

CEE - TMG - 60, 61.
ASSY. DRG. / SAMES - TEK.
DRAWING.
TEKENING. NO. CEE
TMF-206

A4
A4

Δ
3

Δ

Δ
4

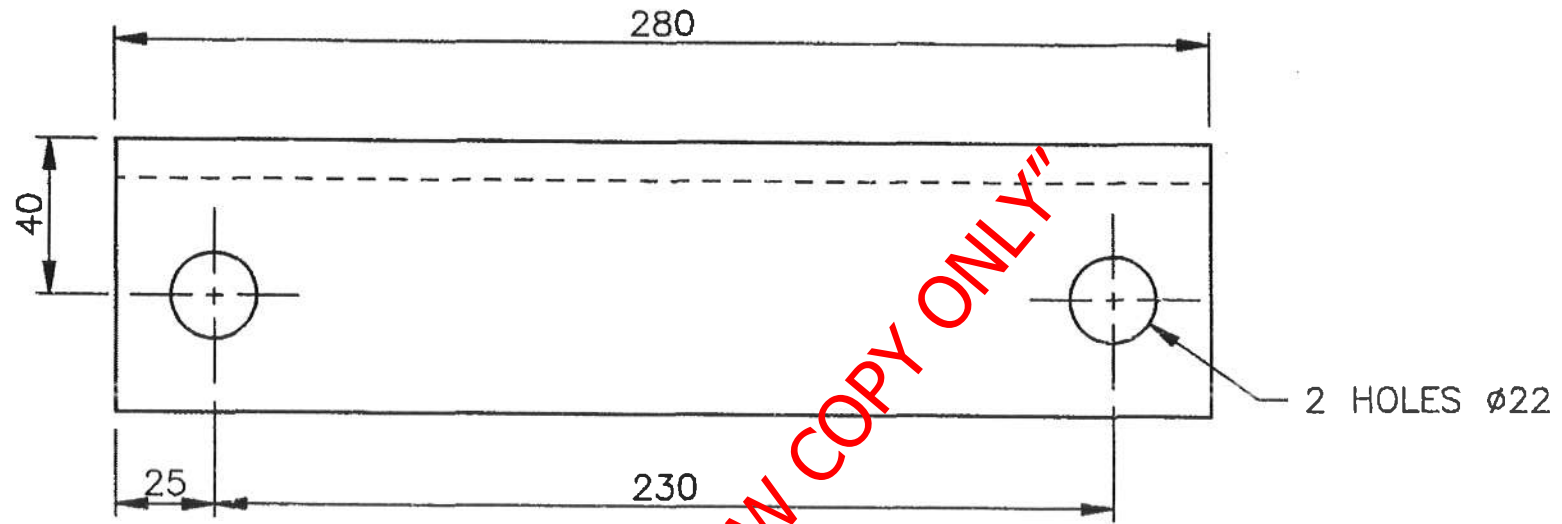
Δ
4

Δ

Δ
3

Q.no: 10333656

AMENDMENTS		
NO	NAME	DATE
1	JVT	95-09-12
DRG REVISED. PREVIOUS NO. WAS CEE-TMHA--84. DO REF: T95/055		



"PREVIEW COPY ONLY"

FINISH
ZINC COAT TO SABS 763 FOR CONDITIONS IN SITU
WHEN NOT PART OF WELDING COMPONENT.

DIMENSIONS: mm
SCALE: 1:2

MATERIAL: ITEM NO 11/14508, STEEL, ANGLE, 70 x 70 x 10 x 280 LG

DO REF: Y76/43	GEN TOL: LIN \pm $\pm 1,5$ ANG \pm -
DRN: B v RENSBURG	CKD: W.R.G. DATE: 78-03-31
ENG: J DE V.	P. PIENAAR for CHIEF ENG

CLAMPING BRACKET
UNIVERSAL COLUMNS AND CONCRETE MAST



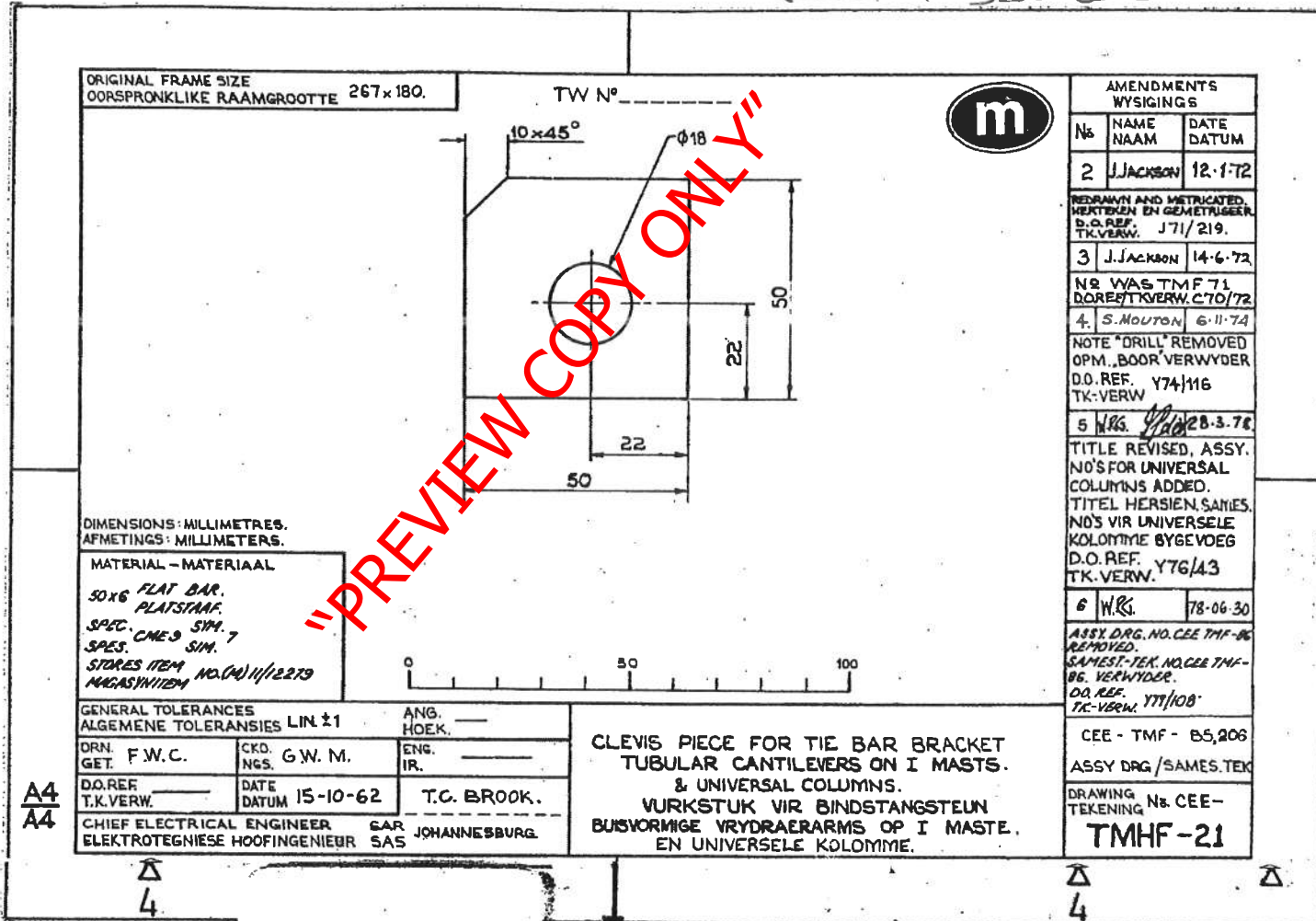
DRG NO **CEE-**
TMFB-138
SHT - OF -

INFRASTRUCTURE
(ELECTRICAL)



T0000973

REQ: 10333 656



ORIGINAL FRAME SIZE
OORSPRONKLIE RAAMGROOTTE 267x180.

TW N°

m

AMENDMENTS
WYSIGINGS

N ^o	NAME NAAM	DATE DATUM
2	J.JACKSON	12.1.72

REDRAWN AND METRICATED.
HERTEKEN EN GEMETRISEER.
D.O. REF. J71/219.
T.K. VERW.

3	J.JACKSON	14.6.72
---	-----------	---------

NR WAS TMF 71
DOREBTKVERW. C70/72

4.	S. MOURON	6.11.74
----	-----------	---------

NOTE "DRILL" REMOVED
OPM. "BOOR" VERWYDER
D.O. REF. Y74/116
T.K. VERW.

5	W.R.G.	28.3.78
---	--------	---------

TITLE REVISED, ASSY.
NO'S FOR UNIVERSAL
COLUMNS ADDED.
TITEL HERSEEN, SAMES.
NO'S VIR UNIVERSELE
KOLONNIE BYGEVOEG
D.O. REF. Y76/43
T.K. VERW.

6	W.R.G.	78-06-30
---	--------	----------

ASSY DRG. NO. CEE TMF-86
REMOVED.
SAMES-TEK. NO. CEE TMF-
86. VERWYDER.
D.O. REF.
T.K. VERW. Y77/108

CEE - TMF - 85,206

ASSY DRG / SAMES. TEK

DRAWING N^o CEE-
TEKENING N^o CEE-

TMHF-21

DIMENSIONS: MILLIMETRES.
AFMETINGS: MILLIMETERS.

MATERIAL - MATERIAAL
50x6 FLAT BAR.
PLATSTAAF.
SPEC. CME-9 SMP. 7
SPES. CME-9 SIM. 7
STORES ITEM NO. (4) 11/12273
MAGASYNITEM

GENERAL TOLERANCES
ALGEMENE TOLERANSIES LIN ±1 ANG. —
HOEK.

DRN. GET.	CKD. NGS.	G.W. M.	ENG. IR.
F.W.C.			

D.O. REF. T.K. VERW.	DATE DATUM 15-10-62	T.C. BROOK.
-------------------------	------------------------	-------------

CHIEF ELECTRICAL ENGINEER
ELEKTROTEGNIËSE HOOFINGENIEUR SAR
JOHANNESBURG. SAS

CLEVIS PIECE FOR TIE BAR BRACKET
TUBULAR CANTILEVERS ON I MASTS.
& UNIVERSAL COLUMNS.
VURKSTUK VIR BINDSTANGSTEUN
BUSVORMIGE VRYDRAERARMS OP I MASTE.
EN UNIVERSELE KOLONNIE.

A4
A4

△
3

△

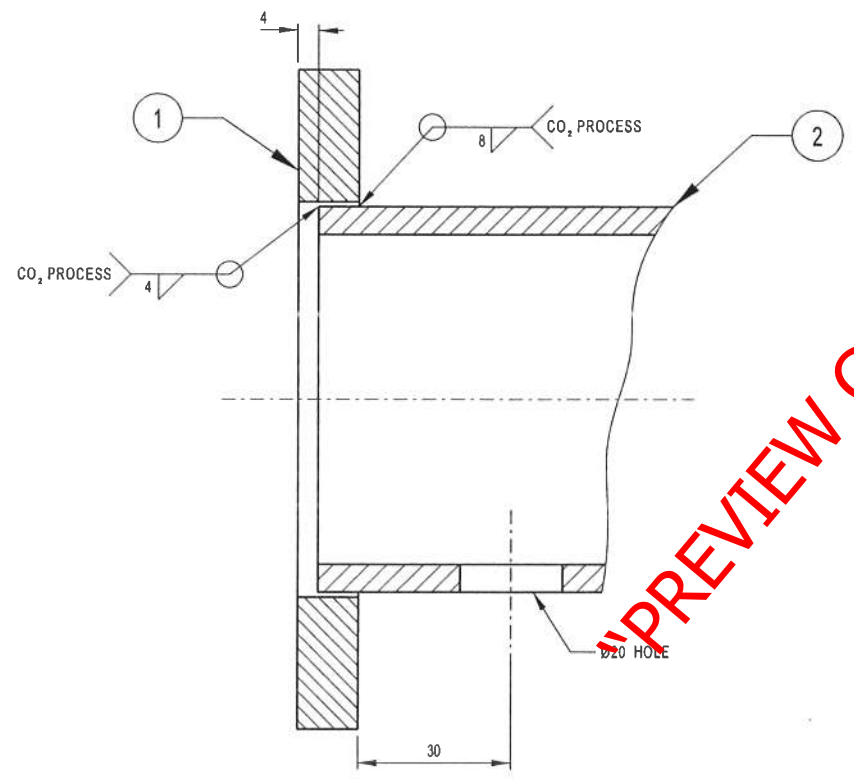
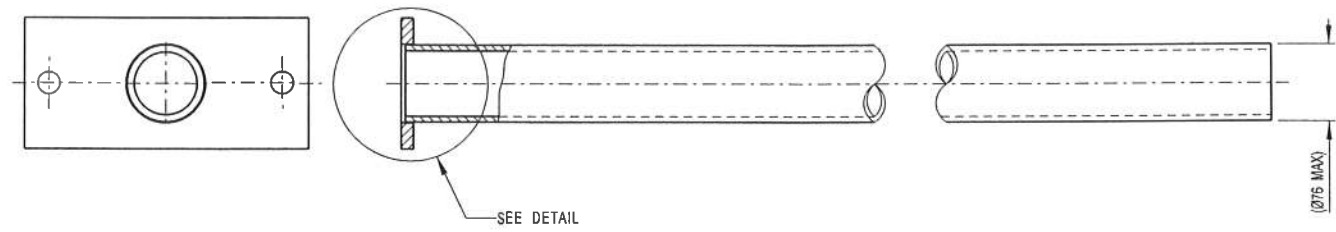
△
4

△
4

△

△
3

Req. 10333655



DETAIL
SCALE 1:1

MAST ϕ - TRACK ϕ	DIMENSION "A"
2 750	2 800
3 200	3 250
3 700	3 750

FINISH
HOT DIP GALVANISE TO SANS 121 AFTER WELDING.

NOTES
1. FOR JOINING OF CANTILEVER TUBE SEE DRG NO CEE-TMC-101.
2. 6mm WALL THICKNESS MAY BE USED AS LONG AS THE OUTER DIAMETER OF 76mm IS NOT EXCEEDED.

"PREVIEW COPY ONLY"

ITEM NO	DESCRIPTION	QTY	STORES ITEM NO	DRAWING NO
2	PIPE, STEEL, Ø65 x 5,5 WALL THK x 'A' LONG TO SPEC SANS 62-1 (SEE NOTE 2)	1	13/1261	-
1	BASE PLATE	1	-	CEE-TMFB-135

© COPYRIGHT PROTECTED. PREPARED BY CENTRAL DRAWING OFFICE

DIMENSIONS : mm SCALE : 1 : 5
 TOLERANCE : LIN ± 0,5 ANG ± - ITEM NO : -
 MATERIAL : -
 VERSION INFO : REDRAWN AND REVISED. NOTE 2 ADDED.

Digitally signed by
Ludwig Borchard
Date: 2012.03.30
13:20:32 +02'00'
APPROVED

Digitally signed by
Ludwig Borchard
Date: 2012.03.30
13:20:53 +02'00'
AUTHORISED

TUBULAR CANTILEVER
203 x 203 UNIVERSAL COLUMN MAST

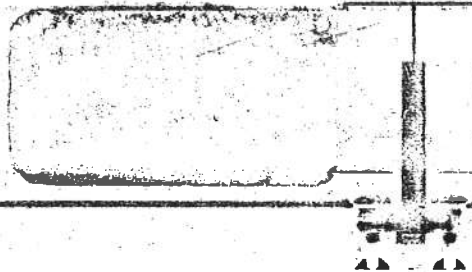
TRANSNER
freight rail
CEE-TMC-42
AMENDMENT 7

DRG. 10233655

AMENDMENTS		
NO	NAME	DATE
1	JP du PLESSIS	95-8-28
REVISED, DRG NO WAS CEE-TMHF-52. DO REF: T95/048		

DIMENSIONS: mm
SCALE: 1:2

MATERIAL: STORES ITEM NO: 11/12558, STEEL, FLAT, 130 x 12 x 280 LG		
DO REF: Y76/43	GEN TOL: LIN± 0,5 ANG± —	
DRN:B v RENSBURG	CKD: WR GRANT	DRG NO CEE- TMFB-135 SHT — OF —
ENG: J DE VLIJERS	F PIENAAR for CHIEF ENG	
INFRASTRUCTURE (ELECTRICAL)		TUBULAR CANTILEVER BASE PLATE 203 x 203 UNIVERSAL COLUMNS



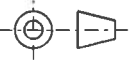
DO REF: CDO/7519 ECP REF: BRF125 DRAWN: C L BUCKLE
 VERSION INFO : DRG NO OF ITEM 1 WAS CEE-TMHA-84.
 MATERIAL :
 TOLERANCE : LINA 1 ANGL 2^o ITEM NO : -
 DIMENSIONS : mm SCALE : 1 : 10

Approved
 13:50:09 +02'00'
 Digitally signed by
 Ludwig Borchard
 Date: 2011.09.08
 13:50:27 +02'00'
 Digitally signed by
 Ludwig Borchard
 Date: 2011.09.08
 AUTHORIZED

STEADY ARM AND HOCKEY STICK ATTACHMENT
 203 x 203 UNIVERSAL COLUMNS.

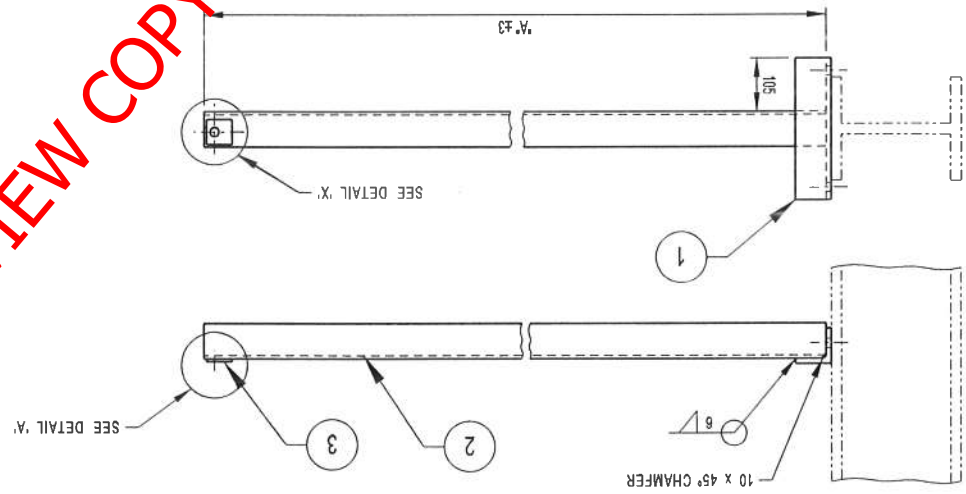
TRANSPET
 freight rail
 CEE-TMFB-124
 AMENDMENT 2
 A3

© COPYRIGHT PROTECTED. PREPARED BY CENTRAL DRAWING OFFICE



NOTES
 1) WELDING TO CONFORM TO SPEC BS 5153.
 2) FOR STEADY ARM ATTACHMENT EXTENSION BRACKET FOR NON-STANDARD
 MAST-TO-TRACK CENTRES SEE DRG NO CEE-TMFB-123.

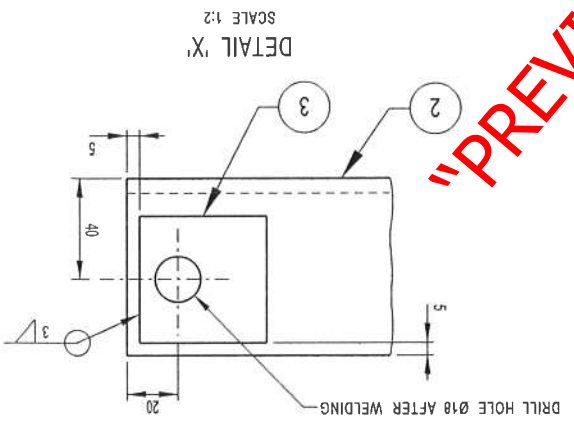
FINISH
 HOT DIP GALVANISE TO SANS 121 FOR CONDITIONS IN SITU.



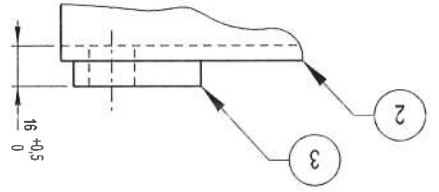
DIMENSION 'A'	DETAILS OF USE
2.75m MAST Ø - TRACK Ø	1-300
3.2m MAST Ø - TRACK Ø	1-300
3.7m MAST Ø - TRACK Ø	1-300
WITH HOCKEY STICK	600

1100

"PREVIEW COPY ONLY"



DETAIL 'A'
 SCALE 1:2



DETAIL 'X'
 SCALE 1:2

ITEM NO	DESCRIPTION	QTY	STORES ITEM NO	DRAWING NO
3	FLAT STEEL, 50 x 10 x 50 L	1	-	-
2	ANGLE STEEL, 70 x 70 x 6 x "A" L	1	-	-
1	CLAMPING BRACKET	1	-	CEE-TMFB-124

145

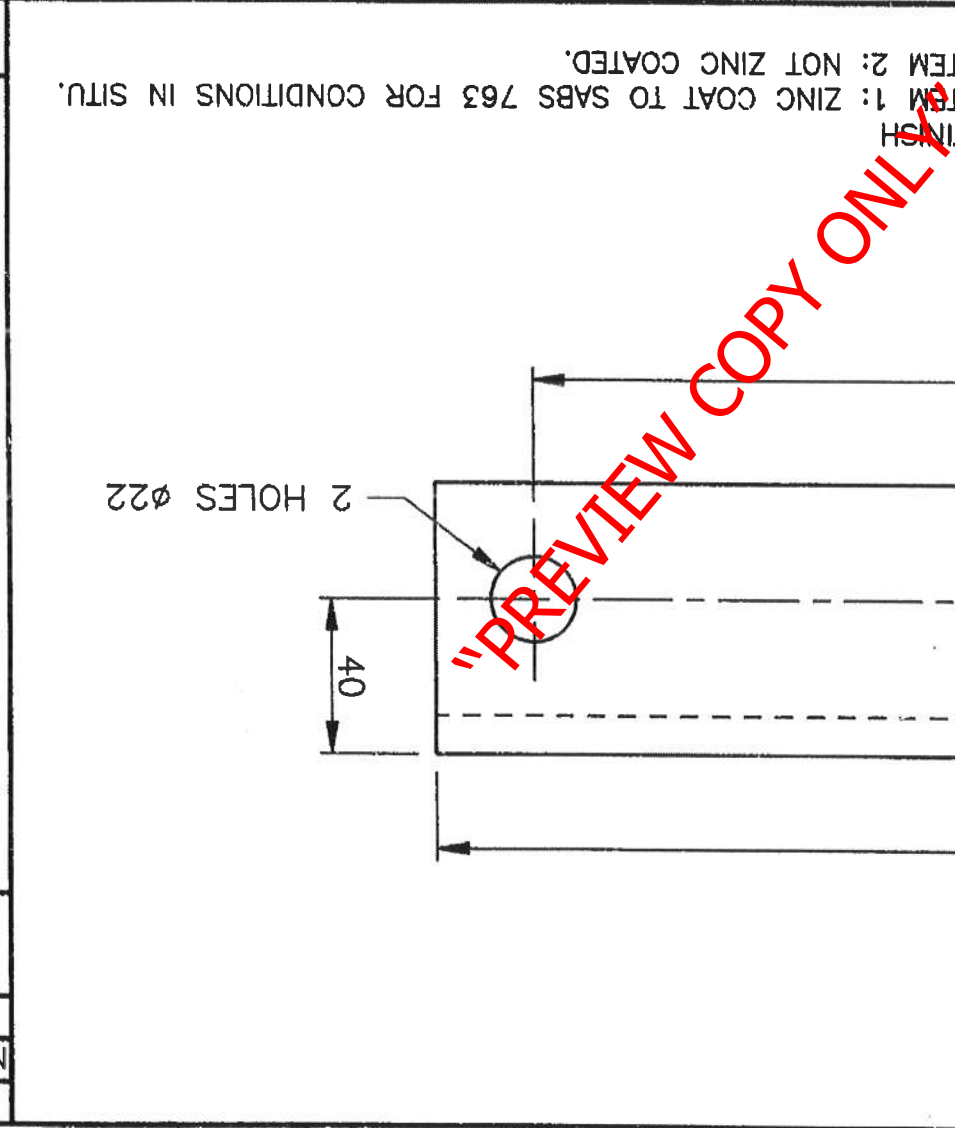
Ref: 10333654

DRG NO CEE-
TMFB-145
SHT - OF -
A4

DIMENSIONS: mm
SCALE: 1:2

AMENDMENTS	
NO	NAME
1	JVT
	DATE
	97-09-05
REVISED, DRAWING	
NO WAS TMHA-90.	
DO REF: 196/021	

CLAMPING BRACKET
203 x 203 UNIVERSAL COLUMNS



MATERIAL: STORES ITEM NO: 11/14508, STEEL, ANGLE, 70 x 70 x 10 x 290 LG.
FINISH
ITEM 1: ZINC COAT TO SABS 763 FOR CONDITIONS IN SITU.
ITEM 2: NOT ZINC COATED.

INFRASTRUCTURE (ELECTRICAL)
SPOORNET
DO REF: Y76/43 GEN TOL: LINF 1,5 ANGF -
CKD: W.R.G. DATE: 78-03-31
for ENG: I DE V F PIENAAR for CHIEF ENG

Ref: 10333654