



Transnet SOC Limited
T/A Transnet Capital Projects

REQUEST FOR QUOTATION

TFR Tender Board - JHB.
TFR Tender Board.
Johannesburg.
2000

Registration Number: 1990/000900/06
Vat Number : 4720103177

Attention:
TFR Official Tender Board.
Telephone Number :
Fax Number :
Vendor Number :500000

Quotation Deadline Date : 29.08.2013
Quotation Deadline Time : 12:00

REQUEST for QUOTATION
Transnet Capital Projects
RFQ Number / Date
6000170319 / 12.08.2013
Contact Person / Telephone
Eddie Quinn / 081 905 3664
Return to FAX Number/EMAIL
0865 5997 / TCPtendersRichardsBay@Transnet.net

Item	Material	Description	RFQ Qty	UoM	Required Del date	Confirm Del date	Unit Price Excl	Total Price Excl
00010		25 KV AC Vandal Proof T	65	ea	23.09.2013			
25 KV AC Vandal Proof Tension Insulator (Composite).Minimum Creepage Path 1476mm,Very Heavy Pollution as per Drg.BBB0281. End Cap Configuration Steel HDG Square Tongue /Clevis.								
00020		25 KV AC Vandal Proof	16	ea	23.09.2013			
25 KV AC Vandal Proof Compression Insulator (Composite).Minimum Creepage Path 1476mm,Very Heavy Pollution as per Drg.BBB0429.End Cap Configuration Steel HDG HDG Square Tongue /Clevis Fitting as per Drg. BBB0430.								

Transnet Limited t/a Transnet Freight Rail (R.M.E.) # Richards Bay, hereby invite your company to submit a detailed quotation for:

The Supply, Deliver and Offload of Two Types of Vandal Proof Insulators, as requested above, and to Transnet Specifications & Drawings, delivered to 1 Morris Road - Empangeni Rail - Old Goods Shed.

All technical queries relating to this invitation may be addressed to;



Transnet SOC Limited
T/A Transnet Capital Projects
 Company
 TFR Tender Board - JHB.
 TFR Tender Board.
 Johannesburg.
 2000

REQUEST FOR QUOTATION

Registration Number: 1990/000900/06
Vat Number : 4720103177

Attention:
 TFR Official Tender Board.
 Telephone Number :
 Fax Number :
 Vendor Number :500000

Quotation Deadline Date : 29.08.2013
Quotation Deadline Time : 12:00

REQUEST for QUOTATION
 Transnet Capital Projects
RFQ Number / Date
 6000170319 / 12.08.2013
Contact Person / Telephone
 Eddie Quinn / 035-905 3664
Return to FAX Number/EMAIL
 0865 59978 / TCPtendersRichardsBay@Transnet.net

Item	Material	Description	RFQ Qty	UoM	Required Del date	Confirm Del date	Unit Price Excl	Total Price Excl
------	----------	-------------	---------	-----	-------------------	------------------	-----------------	------------------

Mr. Pierre Crocker Tel: 083 279 0437 / 035-905 3638.

All tender related queries pertaining to this invitation may be addressed to,
 Mr. Eddie Quinn, Tel: 035 # 905 3664.

The closing time for receipt of your official quotations is 12:00 hours on Monday, 29 August 2013.

Telephonic and late quotes will not be accepted.
 All quotations should be clearly marked, and forwarded to
 Me Yogeshnie Gengan, Tender & Fax Assistant,
 Fax No: 086 515 9978 or 031-830 0000, and / or
 e-mailed to: TCPtendersRichardsBay@transnet.net

The contractor's address and identification details have to be shown on each quotation submitted.

Please supply the following documents with your quotation submitted;

- Valid Tax Clearance certificate.
- Copy of your latest B.B.B.E.E. Certificate.
- Certificate of good standing with the Workman's Compensation Commissioner.
- Test Certificate for item required.

Failing to submit any of the documents mentioned above, could result in your quotation to be disqualified / not accepted.

Note: #Transnet may not necessarily accept the lowest or any other offer and reserves the right to select in its favor any or, a portion of any offer made"



REQUEST FOR QUOTATION

Transnet SOC Limited
 T/A Transnet Capital Projects
 Company
 TFR Tender Board - JHB.
 TFR Tender Board.
 Johannesburg.
 2000

Registration Number: 1990/000900/06
 Vat Number : 4720103177

Attention:
 TFR Official Tender Board.
 Telephone Number :
 Fax Number :
 Vendor Number :500000

Quotation Deadline Date : 29.08.2013
Quotation Deadline Time : 12:00

REQUEST for QUOTATION
 Transnet Capital Projects
RFQ Number / Date
 6000170319 / 12.08.2013
Contact Person / Telephone
 Eddie Quinn / 011 905 3664
Return to / FAX Number/EMAIL
 0865 5997 / TCPtendersRichardsBay@Transnet.net

Item	Material	Description	RFQ Qty	UoM	Required Del date	Confirm Del date	Unit Price Excl	Total Price Excl
------	----------	-------------	---------	-----	-------------------	------------------	-----------------	------------------

If you are unable to quote for this RFQ, please submit a NO QUOTE, with a short reasons, if possible, for not being able to quote.

Otherwise we look forward to receive your detailed quote by the date and time stated.

Yours faithfully,

"PREVIEW COPY"



Transnet SOC Limited
T/A Transnet Capital Projects
 Company
 TFR Tender Board - JHB.
 TFR Tender Board.
 Johannesburg.
 2000

REQUEST FOR QUOTATION

Registration Number: 1990/000900/06
Vat Number : 4720103177

Attention:
 TFR Official Tender Board.
 Telephone Number :
 Fax Number :
 Vendor Number :500000

Quotation Deadline Date : 29.08.2013
Quotation Deadline Time : 12:00

REQUEST for QUOTATION
 Transnet Capital Projects
RFQ Number / Date
 6000170319 / 12.08.2013
Contact Person / Telephone
 Eddie Quinn / 051 905 3664
Return to FAX Number/EMAIL
 0865 5997 / TCPtendersRichardsBay@Transnet.net

Delivery Address

For: TFR (RME) Richards Bay.
 1 Morris Road - Jan Ayres 083 263 0845.
 Mr Pierre Crocker - Tel: 083 279 0437.
 3900

This RFQ is subject to the following conditions:

1. Price/s : The price/s quoted in SA currency and is excluding of V.A.T
2. Delivery : The price/s quoted should include delivery cost to the delivery address stated on the RFQ
3. Returnables : A valid tax clearance certificate and BBBEE certificate from a SANAS accredited verification agency attached to quotation for all quotes above R30 000.
 Please note that only the official Transnet RFQ will be accepted and all other correspondence to be attached to the original
4. Safety : To confirm to Transnet Capital Projects Health & Safety plan and specification; HAS-std-0001, copy available on request.
5. Confirmation: To confirm your participation in this tender process please sign and return this document as immediate effect prior to the quotation deadline.
6. Negotiations: The Employer may elect to negotiate the final terms of the contract/order with the preferred tenderer in accordance with Clauses F.2.17 and F.3.13 of the CIDB Standard Conditions of Tender. A copy of which is available upon request.

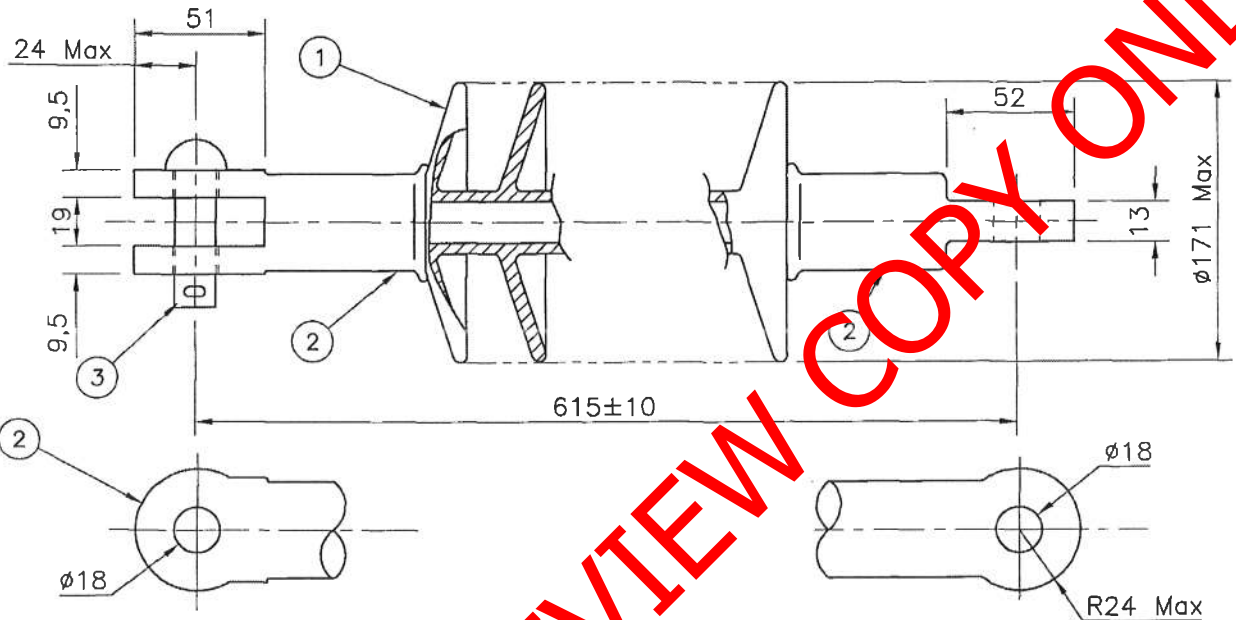
Signature _____

Date _____

"PRELIMINARY COPY"

Rev: 10332964

ITEM	DESCRIPTION	QTY	STORES ITEM NO	DRG NO CEE--
1	INSULATOR: ULTRA VIOLET RESISTANT, WATER REPELLANT, SYNTHETIC RUBBER INSULATION e.g. SILICON RUBBER	AS REQUIRED	_____	_____
2	END FITTINGS: CORROSION RESISTANT e.g. AL ALLOY, BRONZE OR GALVANISED STEEL OR HOLES WITH GALVANISED STEEL OR STAINLESS STEEL INSERTS	AS REQUIRED	_____	_____
3	CLEVIS PIN WITH LOCKING SPLIT PIN, $\phi 16$	1	54/4020	TX-66



DESIGN INFORMATION

MINIMUM TENSILE BREAKING LOAD	-----	60kN
MINIMUM CREEPAGE PATH		
MEDIUM POLLUTION	-----	952mm
HEAVY POLLUTION	-----	190mm
VERY HEAVY POLLUTION	-----	476mm
MINIMUM ARCING DISTANCE	-----	420mm
LIGHTNING IMPULSE WITHSTAND VOLTAGE	-----	250kV
WITHSTAND ALTERNATING VOLTAGE UNDER RAIN	---	95kV

END CAP CONFIGURATION	STORES ITEM NO
ROUND CLEVIS / ROUND TONGUE	54/032476
ROUND CLEVIS / SQUARE TONGUE	54/032488
SQUARE TONGUE / SQUARE TONGUE	54/32605

NOTES

- THIS INSULATOR TO BE USED FOR ALL APPLICATIONS IN HIGH RISK AREAS (e.g. SUSPENSION, REGISTRATION AND MAKE-OFF). (NOT TO BE USED ON COMPRESSION ARRANGEMENTS i.e. PPO ARRANGEMENTS ON CURVED TRACKS).
- INSULATOR TO BE TESTED IN ACCORDANCE WITH IEC 1109 STANDARD FOR COMPOSITE INSULATORS.
- VANDAL PROOF PROPERTIES OF INSULATOR TO BE EQUAL OR BETTER THAN THE "RODURFLEX" TRACTION INSULATORS.
- THIS IS A TYPICAL DRG ONLY (DETAIL SHED AND END FITTINGS DESIGN TO SUIT APPLICATION).

VERSION		
No.	NAME	DATE
2	<i>[Signature]</i>	11/01/00

TABLE A CHANGED
CDO/459

STORES ITEM No.
SEE TABLE A

DIMENSIONS: mm
SCALE: NTS



DRAWING NO
BBB0281
VERSION 2

DO REF: CDO/176	GEN TOL: LIN± 1	ANG±
DRN: DA Ballabio	CKD: JD v Dyk	DATE: 99-08-11
ENG: WF MANS	HA SLIER	for CHIEF ENG

VANDAL PROOF TENSION INSULATOR (COMPOSITE)
25 kV AC; TONGUE AND CLEVIS

INFRASTRUCTURE
(ELECTRICAL)



Rea: 10332965

ITEM	DESCRIPTION	QTY	STORES ITEM NO	DRG NO CEE-
1	INSULATOR: ULTRA VIOLET RESISTANT, WATER REPELLANT, SYNTHETIC RUBBER INSULATION e.g. SILICON RUBBER	AS REQUIRED	_____	_____
2	END FITTINGS: CORROSION RESISTANT e.g. Al ALLOY, BRONZE OR GALVANISED STEEL OR HOLES WITH GALVANISED STEEL OR STAINLESS STEEL INSERTS (SEE TABLE A)	AS REQUIRED	_____	BBB0430
3	CLEVIS PIN WITH LOCKING SPLIT PIN, $\phi 16$	1	54/4020	TX-66

DESIGN INFORMATION

MINIMUM TENSILE BREAKING LOAD -----	22,24kN
MINIMUM TENSILE WORKING LOAD -----	8,89kN
COMPRESSION LOAD -----	23,5kN
MINIMUM BENDING LOAD -----	2kNm
MINIMUM CREEPAGE PATH	
MEDIUM POLLUTION -----	952mm
HEAVY POLLUTION -----	1 190mm
VERY HEAVY POLLUTION -----	1 476mm
MINIMUM ARCING DISTANCE -----	420mm (Min)
LIGHTNING IMPULSE WITHSTAND VOLTAGE -----	250kV
WITHSTAND ALTERNATING VOLTAGE UNDER RAIN --	95kV

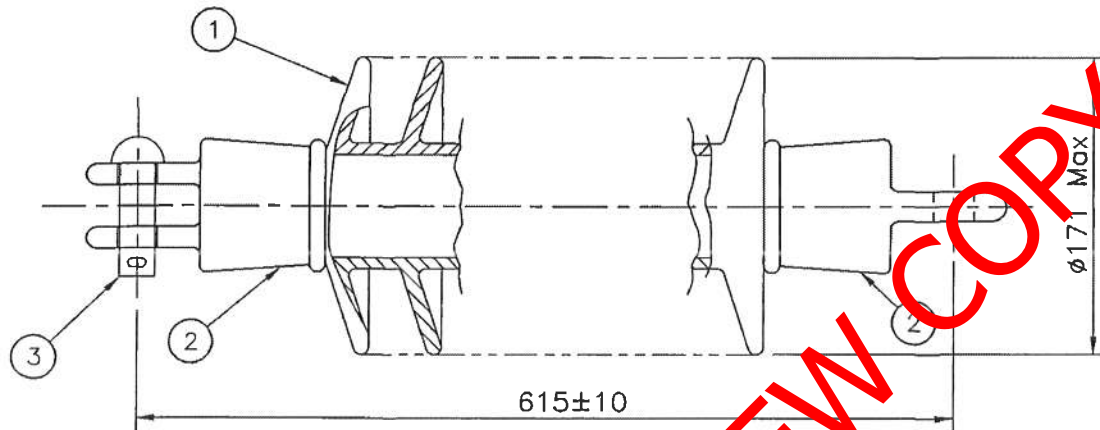


TABLE A (SEE DRG NO BBB0430)	
END CAP CONFIGURATION	STORES ITEM NO
ROUND TONGUE / PIPE FITTING	54/32516
SQUARE TONGUE / PIPE FITTING	54/32528
SQUARE TONGUE / CLEVIS	54/32541
CLEVIS / PIPE FITTING	54/32553
SQUARE TONGUE / SQUARE TONGUE	54/32617

NOTES

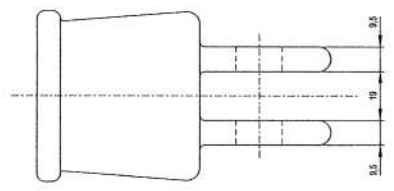
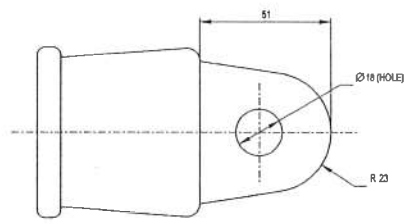
1. THIS INSULATOR TO BE USED FOR ALL APPLICATIONS IN HIGH RISK AREAS (e.g. PPO ARRANGEMENTS ON CURVED TRACKS).
2. INSULATOR TO BE TESTED IN ACCORDANCE WITH IEC 1109 STANDARD FOR COMPOSITE INSULATORS.
3. VANDAL PROOF PROPERTIES OF INSULATOR TO BE EQUAL OR BETTER THAN THE "RODURFLEX" TRACTION INSULATORS.
4. THIS IS A TYPICAL DRG ONLY (DETAIL SHED AND END FITTINGS DESIGN TO SUIT APPLICATION).

VERSION		
No.	NAME	DATE
3		20/11/01
22,24kN WAS 60kN AND MINIMUM TENSILE WORKING LOAD 8,89kN ADDED. CDO/1608 ECP: 2001/131		
DIMENSIONS: mm		
SCALE: NTS		
		A3

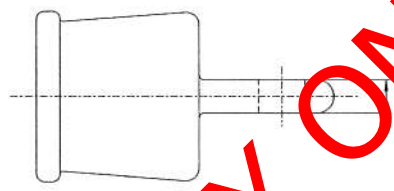
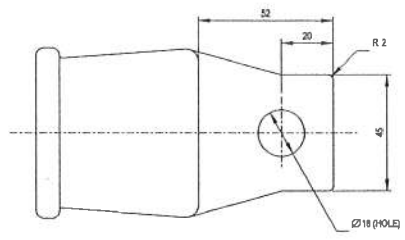
DO REF: CDO/281	GEN TOL: LIN± 1	ANG± —
DRN: JR ANTHONY	CKD: JD v DYK	DATE: 99-10-27
ENG: WF MANS	HA SLIER	for CHIEF ENG

VANDAL PROOF COMPRESSION INSULATOR (COMPOSITE)
25kV AC

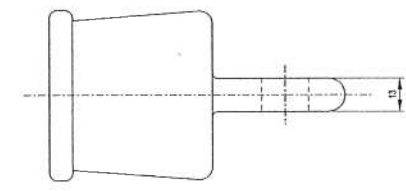
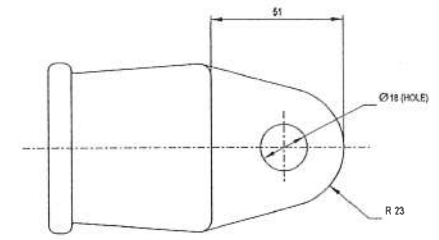
R30: 10332965



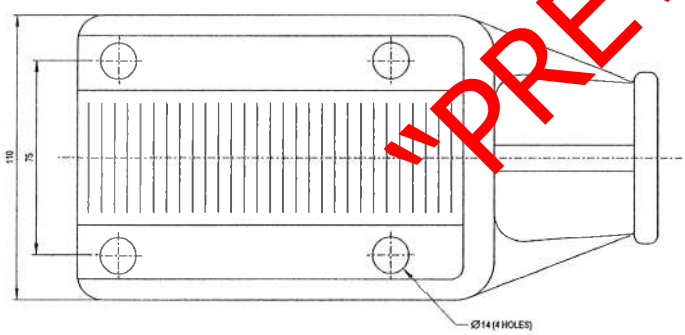
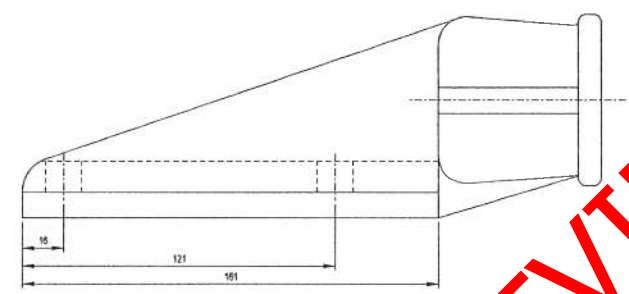
CLEVIS



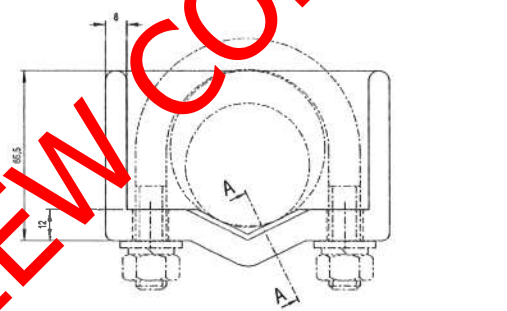
SQUARE TONGUE



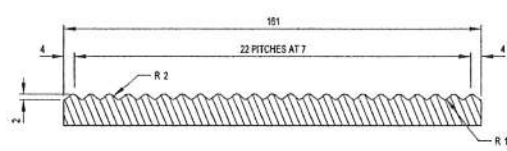
ROUND TONGUE



PIPE FITTING



SECTION A-A



"PREVIEW COPY ONLY"

- NOTES
1. Internal and external dimensions of cap to suit insulator requirements and to be left to the manufacturer.
 2. The following permanent markings must appear on this article:
 - A) Spoonnet
 - B) Maker's identification
 - C) Batch number
 3. Finish: Hot dip galvanise to Spec SANS 121
 4. For use with composite compression insulator. See Drg no 8880429 & 8880280

© COPYRIGHT PROTECTED. PREPARED BY CENTRAL DRAWING OFFICE

DIMENSIONS : mm SCALE : 1 : 1
 TOLERANCE : LIN ± 1 ANG ± - ITEM NO : -
 MATERIAL :
 VERSION INFO : Redrawn and revised
 25kV AC added to title

DO REF : CDD/5380
 CP REF : B8C8403
 DRAWN : CJ Marnis
 DESIGNED : -
 CHECKED : JD v Dyk

DATE: 22/05/07

 APPROVED

 AUTHORISED

CLEVIS, TONGUE AND PIPE END FITTINGS FOR COMPOSITE
 VANDAL PROOF COMPRESSION INSULATORS
 3kV DC AND 25kV AC

