



Transnet SOC Limited  
T/A Transnet Capital Projects

REQUEST FOR QUOTATION

TFR Tender Board.  
TFR TENDER BOARD.  
Johannesburg.  
2000

Registration Number: 1990/000900/06  
Vat Number : 4720103177

**Attention:**

TFR Official Tender Board.  
Telephone Number :  
Fax Number :  
Vendor Number :500000

**Quotation Deadline Date : 09.07.2013**  
**Quotation Deadline Time : 12:00**

**REQUEST for QUOTATION**

Transnet Capital Projects  
**RFQ Number / Date**  
6000165509 / 02.07.2013  
**Contact Person / Telephone**  
Eddie Quinn / 035-905 2664  
**Return to VAX Number/EMAIL**  
0865159978 / TSPtendersRichardsBay@Transnet.net

Item	Material	Description	RFQ Qty	UoM	Required Del date	Confirm Del date	Unit Price Excl	Total Price Excl
00010		Pivot Fitting Bracket a	100	ea	18.07.2013			
Manufacture & Deliver, 100 x Pivot Fitting Brackets as per the attached Drawing No: CEE-TMFB-139. Manufactured from 3CR12 Steel. Delivered to our Old Goods Shed - 1 Morris Road - Empangeni Rail. Contact: Mr Pierre Crocker - Tel: 035-905 3638 / 083 279 0437.								
00020		Bracket , Stay Wire Att	20	ea	18.07.2013			
Manufacture & Deliver, 100 x Brackets , Stay Wire Attachments as per the attached Drawing No: CEE-TMFB-57. Manufactured from 3CR12 Steel. Delivered to our Old Goods Shed - 1 Morris Road - Empangeni Rail. Contact: Mr Pierre Crocker Tel: 035-905 3638 / 083 279 0437.								
00030		Bracket Plate as per Dr	100	ea	18.07.2013			
Manufacture & Deliver, 100 x Bracket Plates, as per the attached Drawing No: CEE-TMFB-140. Manufactured from 3CR12.								

PREVIEW COPY ONLY



**Transnet SOC Limited**  
**T/A Transnet Capital Projects**  
 Company  
 TFR Tender Board.  
 TFR TENDER BOARD.  
 Johannesburg.  
 2000

**REQUEST FOR QUOTATION**

**Registration Number: 1990/000900/06**  
**Vat Number : 4720103177**

**Attention:**  
 TFR Official Tender Board.  
 Telephone Number :  
 Fax Number :  
 Vendor Number :500000

**Quotation Deadline Date : 09.07.2013**  
**Quotation Deadline Time : 12:00**

**REQUEST for QUOTATION**  
 Transnet Capital Projects  
**RFQ Number / Date**  
 6000165509 / 02.07.2013  
**Contact Person / Telephone**  
 Eddie Quinn / 035 905 3664  
**Return to Vax Number/EMAIL**  
 0865159978 / TCPtendersRichardsBay@Transnet.net

Item	Material	Description	RFQ Qty	UoM	Required Del date	Confirm Del date	Unit Price Excl	Total Price Excl
------	----------	-------------	---------	-----	-------------------	------------------	-----------------	------------------

Delivered to our Old Goods Shed - 1 Morris Road - Empangeni Rail.  
 Contact: Mr Pierre Crocker Tel: 035-905 3638 / 083 279 0437.

Transnet Limited t/a Transnet Freight Rail (R.M.E.) # Richards Bay hereby invite your company to submit a detailed quotation for:

The Manufacture, Deliver and Offload of Various 3CR12 fabricated OHTE Items, as mentioned above, delivered to our Store at Old Goods Shed - 1 Morris Road - Empangeni Rail.

All technical queries relating to this invitation may be addressed to;  
 Mr. Pierre Crocker Tel: 035-905 3638 / 083 279 0437.

All tender related queries pertaining to this invitation may be addressed to;  
 Mr. Eddie Quinn, Tel: 035 # 905 3664.

The closing time for receipt of your official quotations is 12:00 hours on Tuesday, 09 July 2013.

Telephonic and late quotes will not be accepted.  
 All quotations should be clearly marked, and forwarded to:  
 Me Qetelo Moshoeshe, Tender & Fax Assistant,  
 Fax No: 086 515 9978 or 031-830 0000, and/or  
 e-mailed to: TCPtendersRichardsBay@transnet.net

The contractor's address and identification details have to be shown on each quotation submitted.



**Transnet SOC Limited**  
**T/A Transnet Capital Projects**  
 Company  
 TFR Tender Board.  
 TFR TENDER BOARD.  
 Johannesburg.  
 2000

**REQUEST FOR QUOTATION**

**Registration Number: 1990/000900/06**  
**Vat Number : 4720103177**

**Attention:**  
 TFR Official Tender Board.  
 Telephone Number :  
 Fax Number :  
 Vendor Number :500000

**Quotation Deadline Date : 09.07.2013**  
**Quotation Deadline Time : 12:00**

**REQUEST for QUOTATION**  
 Transnet Capital Projects  
**RFQ Number / Date**  
 6000165509 / 02.07.2013  
**Contact Person / Telephone**  
 Eddie Quinn / 031 905 3364  
**Return to VAX Number/EMAIL**  
 0865159978 / TFCPTendersRichardsBay@Transnet.net

Item	Material	Description	RFQ Qty	UoM	Required Del date	Confirm Del date	Unit Price Excl	Total Price Excl
------	----------	-------------	---------	-----	-------------------	------------------	-----------------	------------------

- Please supply the following documents with your quotation submitted;
- Valid Tax Clearance certificate.
  - Copy of your latest B.B.B.E.E. Certificate.
  - Certificate of good standing with the Workman's Compensation Commissioner.

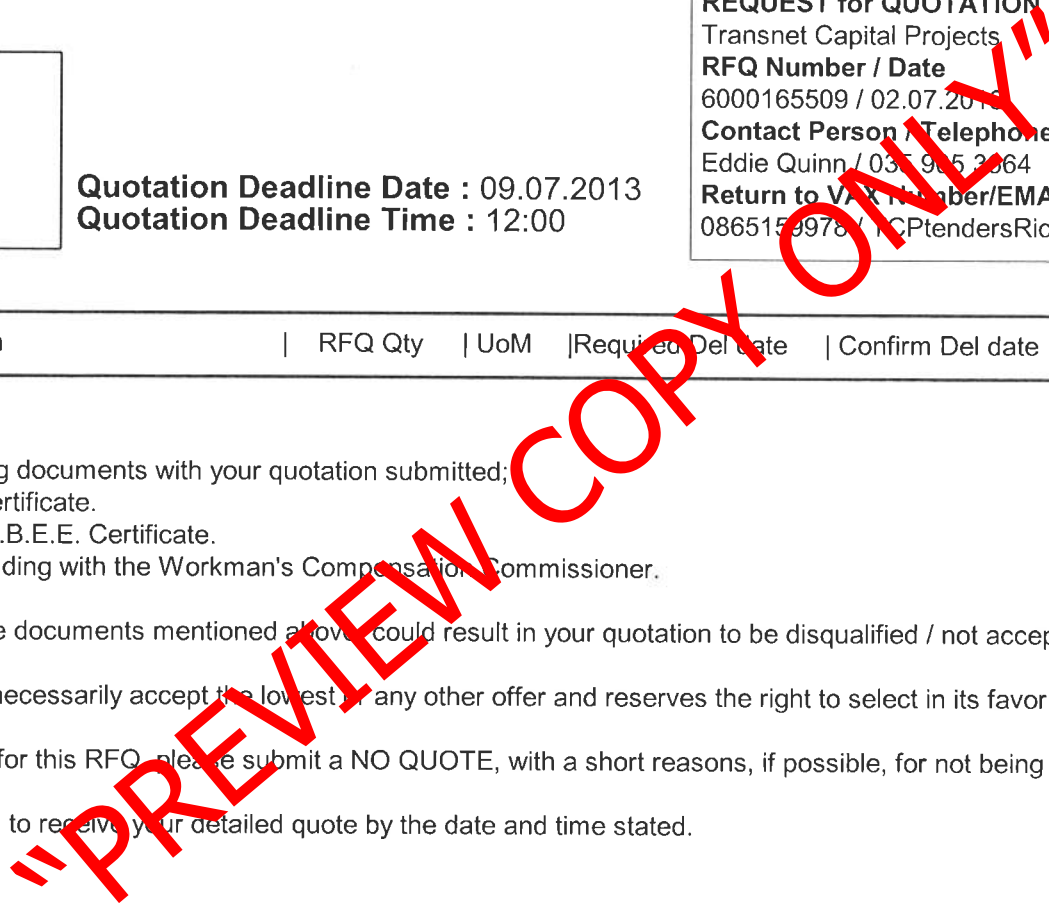
Failing to submit any of the documents mentioned above could result in your quotation to be disqualified / not accepted.

Note: #Transnet may not necessarily accept the lowest or any other offer and reserves the right to select in its favor any or, a portion of any offer made"

If you are unable to quote for this RFQ, please submit a NO QUOTE, with a short reasons, if possible, for not being able to quote.

Otherwise we look forward to receive your detailed quote by the date and time stated.

Yours faithfully,





Transnet SOC Limited  
T/A Transnet Capital Projects  
Company  
TFR Tender Board.  
TFR TENDER BOARD.  
Johannesburg.  
2000

## REQUEST FOR QUOTATION

Registration Number: 1990/000900/06  
Vat Number : 4720103177

**Attention:**

TFR Official Tender Board.  
Telephone Number :  
Fax Number :  
Vendor Number :500000

**Quotation Deadline Date : 09.07.2013**  
**Quotation Deadline Time : 12:00**

**REQUEST for QUOTATION**

Transnet Capital Projects

**RFQ Number / Date**

6000165509 / 02.07.2013

**Contact Person / Telephone**

Eddie Quinn / 035 915 3064

**Return to VAX Number/EMAIL**

0865159978 / TFCPTendersRichardsBay@Transnet.net

**Delivery Address**

For: TFR (RME) Richards Bay.  
1 Morris Road - Jan - 083 263 0845  
Mr Pierre Crocker - Tel: 083 279 0437.  
3900

This RFQ is subject to the following conditions:

1. Price/s : The price/s quoted in SA currency and is excluding of VAT.
2. Delivery : The price/s quoted should include delivery cost to the delivery address stated on the RFQ
3. Returnables : A valid tax clearance certificate and BBBEE certificate from a SANAS accredited verification agency attached to quotation for all quotes above R30 000.  
Please note that only the official Transnet RFQ will be accepted and all other correspondence to be attached to the original
4. Safety : To confirm to Transnet Capital Projects Health & Safety plan and specification; HAS-std-0001, copy available on request.
5. Confirmation: To confirm your participation in this tender process please sign and return this document as immediate effect prior to the quotation deadline.
6. Negotiations: The Employer may elect to negotiate the final terms of the contract/order with the preferred tenderer in accordance with Clauses F.2.17 and F.3.13 of the CIDB Standard Conditions of Tender. A copy of which is available upon request.

Signature \_\_\_\_\_

Date \_\_\_\_\_

ITEM	DESCRIPTION	QTY	STORES ITEM NO	DRG NO CEE	AMENDMENTS		
1	PLATE, BRACKET	11/12546	1		NO	NAME	DATE
2	CHANNEL, SUPPORT	11/14683	1	TMHC-95	1	JVT	97-04-07

FINISH: 3CR12.

REVISI... WAS CEE-TMF-479 DO REF: T96/001

DO REF: T1/82/12... GE... TOL... ± 0,5 ANG ± 0,5° DRN: L. MARAIS... VUUREN DATE: 83-11-11 ENG: R... PPL C for CHIEF ENG	<b>PIVOT FITTING BRACKET</b> CANTILEVER STRUT (BOLT ADAPTOR) UNIVERSAL COLUMN
---	---

DIMENSIONS: mm SCALE: 1:5	
DRG NO CEE- <b>TMFB-139</b>	
SHT - OF -	

PREVIEW COPY ONLY

Δ  
3

Δ

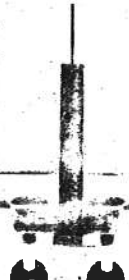
Δ  
4



Δ  
4

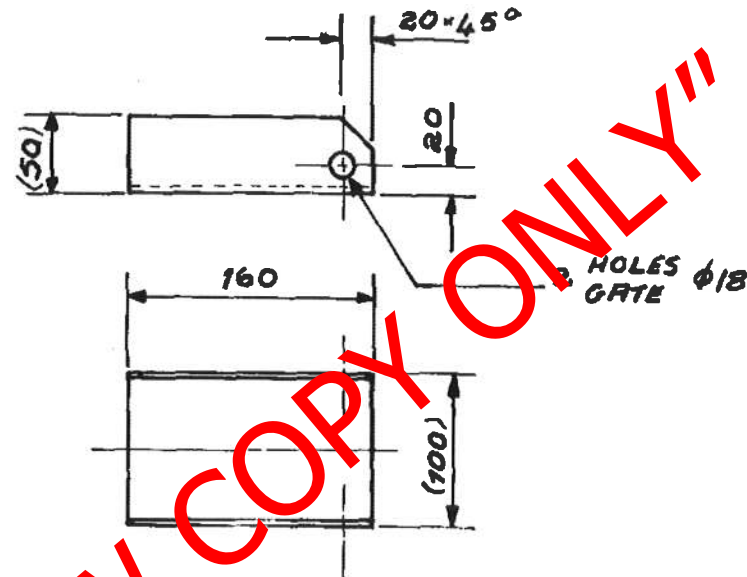
Δ

Δ  
3



AMENDMENTS  
WYSIGINGS

NO	NAME NAAM	DATE DATUM



DIMENSIONS: MILLIMETRES  
AFMETINGS: MILLIMETER

MATERIAL - MATERIAAL

STEEL, CHANNEL 100x50x10, 6 kg/m x 160 L. - 3CR12.  
STAAL, KANAAL

SPEC. CME9 SYM. 8  
SPES. CME9 SIM.

STORES ITEM NO (M) 11/14683  
MAGASYNITEM.

DRN: GET: L. MARRIS.	GEN TOLERANCES: IN - 0,5 ALG TOLERANSIES: ANG/HOEK ± 0° 30'
TRCD NGT. M. NORTJÉ.	D. REF. T1/82/124 ENG IR R. B. for NS
CKD NGS. H. v. VUUREN	DATE DATUM 83-11-11 APL. for NS

CHIEF ELECTRICAL ENGINEER JOHANNESBURG  
ELEKTRIESE HOOFINGENIEUR

SOUTH AFRICAN TRANSPORT SERVICES  
SUID-AFRIKAANSE VERVOERDIENSTE

CHANNEL, SUPPORT.  
PIVOT FITTING BRACKET.

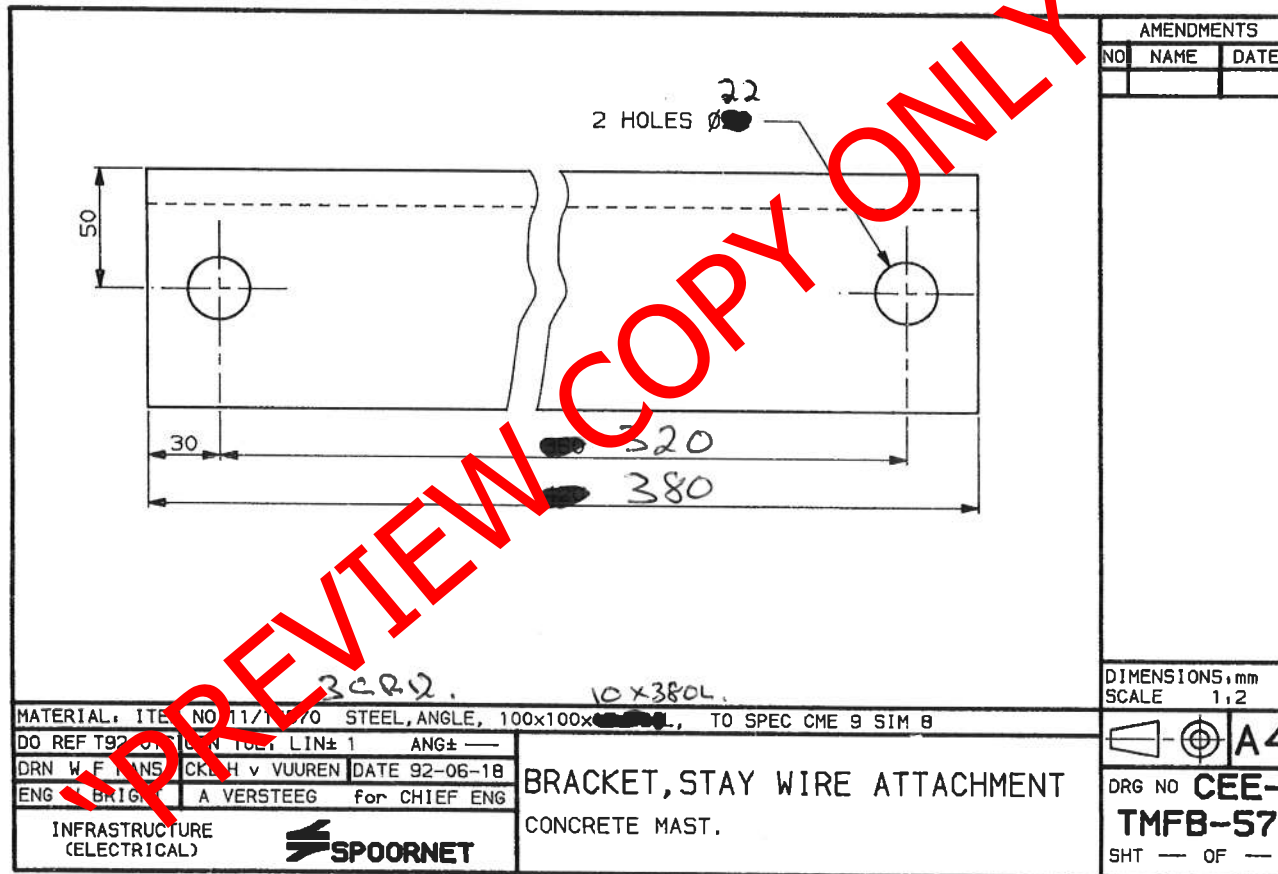
KANAAL, STEUN.  
SPILHEGSTUKSTEUN.

CEE-TMF-479  
ASSY DRG  
SAMEST-TEK.

DRAWING NO. CEE-  
TEKENING

TMHC-95

"PREVIEW COPY ONLY"



AMENDMENTS		
NO	NAME	DATE

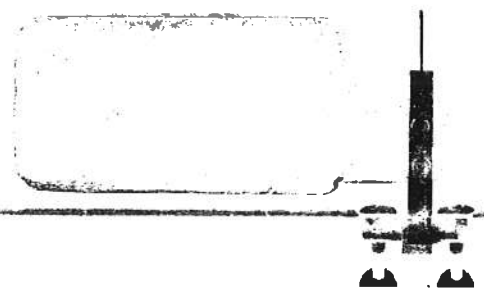
DIMENSIONS, mm  
SCALE 1:2

⊙ A4

DRG NO CEE-  
TMFB-57  
SHT — OF —

3222. 10x380L.  
 MATERIAL: ITEM NO 1171/70 STEEL, ANGLE, 100x100x... TO SPEC CME 9 SIM 8  
 DO REF T92... LIN± 1 ANG± —  
 DRN W F... CKH v VUUREN DATE 92-06-18  
 ENG BRIG... A VERSTEEG for CHIEF ENG  
**BRACKET, STAY WIRE ATTACHMENT**  
 CONCRETE MAST.

INFRASTRUCTURE (ELECTRICAL) **SPOORNET**



3

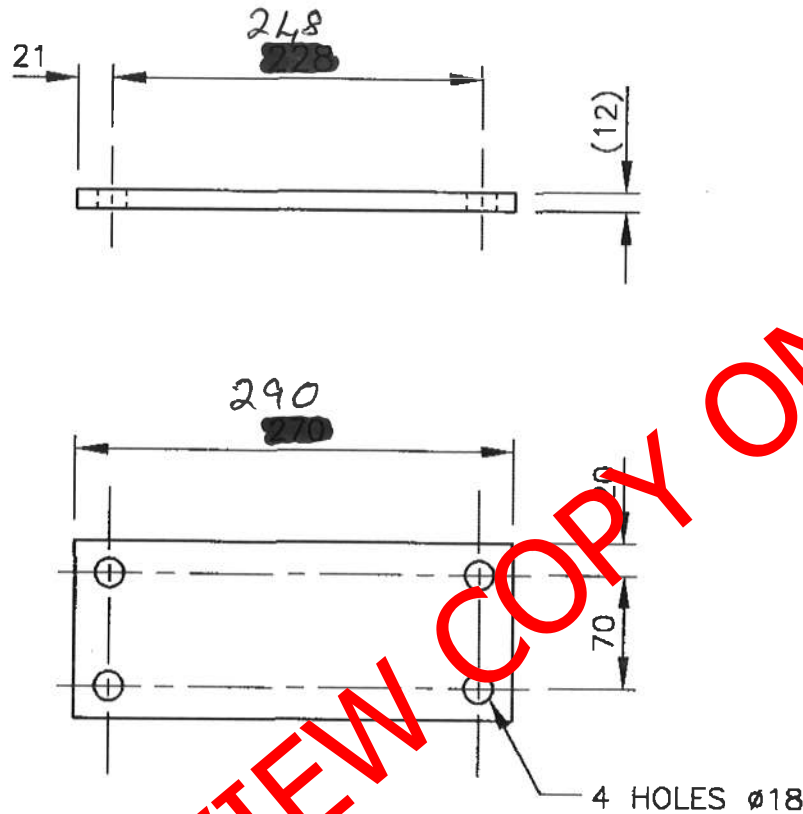
Δ

4

4

TMFB-05

3



AMENDMENTS

NO	NAME	DATE
1	MM	95-02-28

REVISED, DRG NO  
WAS CEE-TMHF-172  
DO REF: T96/001

DIMENSIONS: mm  
SCALE: 1:5



DRG NO CEE-  
TMFB-140

SHT - OF -

MATERIAL: ITEM NO 11/12546 STEEL, FLAT 110 X 12 X 270LG 3CR12.

DO REF: T1/82/124	GEN TOL: LIN ± 0,5	ANG ± -
DRN: L.MARAI	CKD: H.v. VUUREN	DATE: 83-11-11
ENG: R.B.	PPL C	for CHIEF ENG

BRACKET PLATE  
PIVOT FITTING BRACKET

INFRASTRUCTURE  
(ELECTRICAL)

