

SERVING COUNTER / BAIN MARIE

Floor standing Bain Marie:

- All stainless steel construction
- Well and Top surround manufactured from Type 304 Stainless steel
- Stainless steel exterior panels
- Stainless steel interior base and centre shelf
- Water well controlled by energy regulator

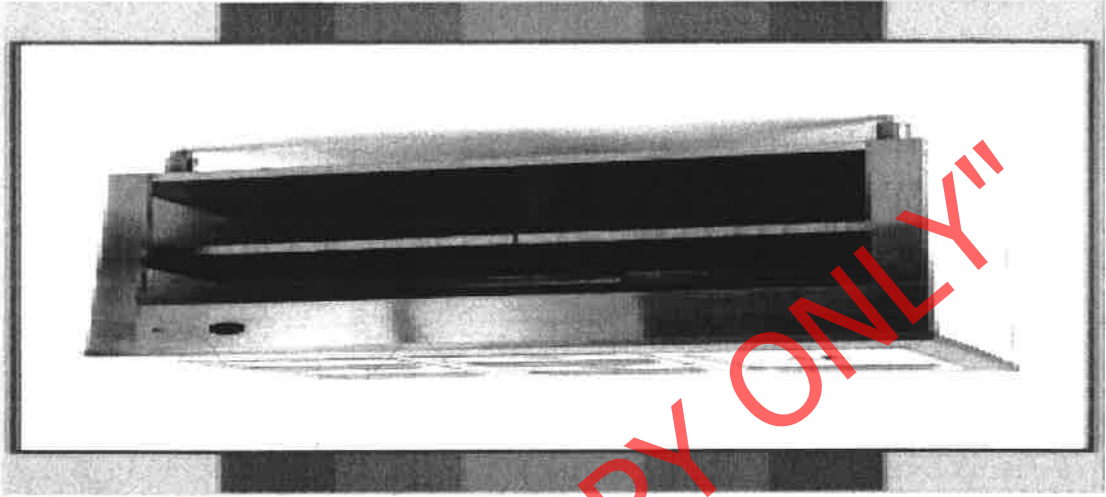
Specifications:

- 6 Divisions Serving counter/ Bain Marie
- 2300 x 750 x 915 mm high
- Weight- 236 kg
- Electrical load: 3KW- 230 Volt Single Phase Plug-In

Extras to be Included


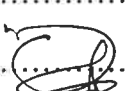
- Stainless Inserts and Lids

Note: Each division will accommodate either 1 x Full size insert or 2 half size inserts or 3 x Third size inserts



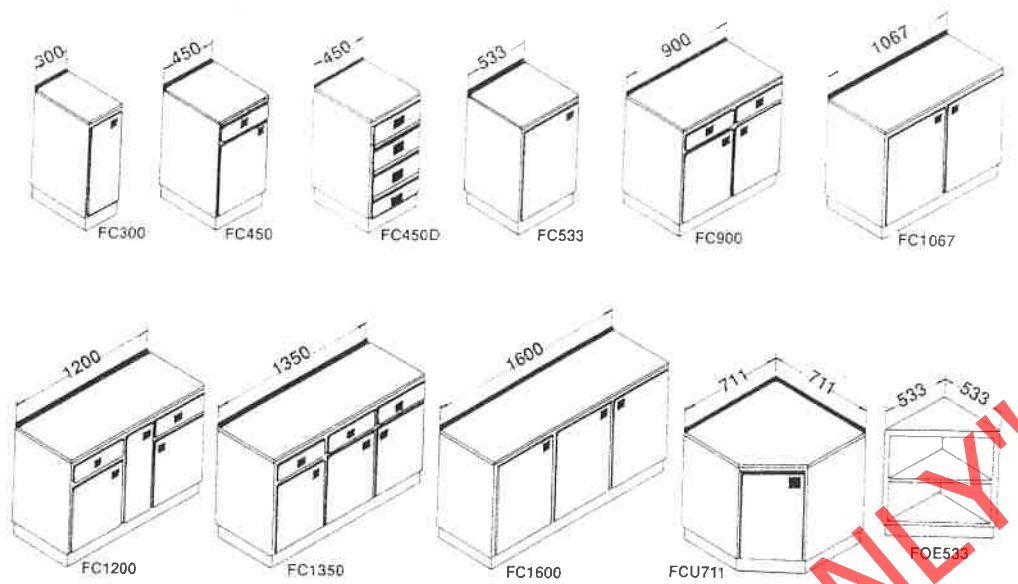
Note: above picture shows the typical Bain Marie (but model 383 - 3 divisions), we need Model 387- 6 divisions. As specified above.

Approved by:

Name: P. F. ... Signature:  Date: 20/05/2013
Name: ... Signature:  Date: 20/05/2013

6 Div - 0216

FLOOR CABINETS



- Cupboards - deep royal cheery on a supawood
- Shelves handles/hinges/doors

- Granite work tops on wooden cupboards

"PREVIEW COPY ONLY"