



**Transnet SOC Limited**  
**T/A Transnet Capital Projects**

**REQUEST FOR QUOTATION**

TRANSNET FREIGHT RAIL - RME  
 TFR(RME) - RFQ BOARD  
 PROCUREMENT DEPARTMENT  
 BELLVILLE, CAPE TOWN

**Registration Number: 1990/000900/06**  
**Vat Number : 4720103177**

**Attention:**  
 Telephone Number :  
 Fax Number :  
 Vendor Number :500000

**Quotation Deadline Date : 04.04.2013**  
**Quotation Deadline Time : 16:00**

**REQUEST for QUOTATION**  
 Transnet Capital Projects  
**RFQ Number / Date**  
 6000153472 / 13.03.2013  
**Contact Person / Telephone**  
 Noloyiso Alam / 021 940 1886  
**Return to VAX Number/EMAIL**  
 0218100000 / TCPTendersCapeTown@Transnet.net

Item	Material	Description	RFQ Qty	UoM	Required Del date	Confirm Del date	Unit Price Excl	Total Price Excl
00010		Supply Reinforcing Stee	4	US	08.04.2013			

Supply Reinforcing Steel  
 Supply,Cut,Bend Reinforcing Steel as per attached Bending Schedule.

Requester and delivery address:

MR Arthur Mdingi - Transnet Freight Rail (RME)  
 Signal Street  
 Quigney  
 EAST LONDON  
 EASTERN CAPE

Tel: 043 7002385  
 Mr Arthur Mdingi - 083 402 7393  
 Fax: 043 7002458

If you are unable to quote for this enquiry, please submit a NO QUOTE, with a short reason, if possible, for not being to quote.



**Transnet SOC Limited**  
**T/A Transnet Capital Projects**  
 TRANSNET FREIGHT RAIL - RME  
 TFR(RME) - RFQ BOARD  
 PROCUREMENT DEPARTMENT  
 BELLVILLE, CAPE TOWN  
 7530

**REQUEST FOR QUOTATION**

**Registration Number: 1990/000900/06**  
**Vat Number : 4720103177**

**Attention:**  
 Telephone Number :  
 Fax Number :  
 Vendor Number :500000

**Quotation Deadline Date : 04.04.2013**  
**Quotation Deadline Time : 16:00**

**REQUEST for QUOTATION**  
 Transnet Capital Projects  
**RFQ Number / Date**  
 6000153472 / 13.03.2013  
**Contact Person / Telephone**  
 Noloyiso Alam / 021 940 1886  
**Return to VAX Number/EMAIL**  
 0218100000 / TCPtendersCapeTown@Transnet.net

Item	Material	Description	RFQ Qty	UoM	Required Del date	Confirm Del date	Unit Price Excl	Total Price Excl
------	----------	-------------	---------	-----	-------------------	------------------	-----------------	------------------

Otherwise we look forward to receive your quote by the date and time stated.

"PREVIEW COPY ONLY"

**Transnet SOC Limited**  
**T/A Transnet Capital Projects**  
 TRANSNET FREIGHT RAIL - RME  
 TFR(RME) - RFQ BOARD  
 PROCUREMENT DEPARTMENT  
 BELLVILLE, CAPE TOWN  
 7530

## REQUEST FOR QUOTATION

**Registration Number: 1990/000900/06**  
**Vat Number : 4720103177**

**REQUEST for QUOTATION**

Transnet Capital Projects

**RFQ Number / Date**

6000153472 / 13.03.2013

**Contact Person / Telephone**

Noloyiso Alam / 021 940 1886

**Return to VAX Number/EMAIL**

0218100000 / TCPtendersCapeTown@Transnet.net

**Attention:**

Telephone Number :

Fax Number :

Vendor Number : 500000

**Quotation Deadline Date : 04.04.2013**  
**Quotation Deadline Time : 16:00**

**Delivery Address**

TRANSNET FREIGHT RAIL - RME  
 Signal street  
 Quigney, EAST LONDON  
 5201

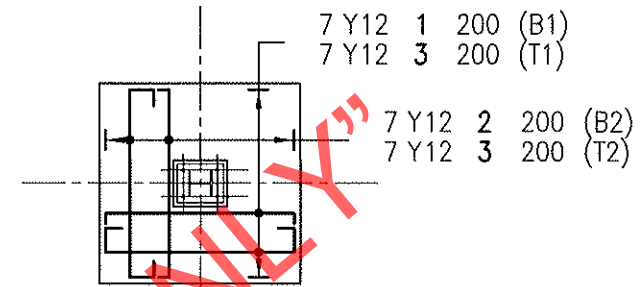
This RFQ is subject to the following conditions:

1. Price/s : The price/s quoted in SA currency and is excluding of V.A.T
2. Delivery : The price/s quoted should include delivery cost to the delivery address stated on the RFQ
3. Returnables : A valid tax clearance certificate and BBBEE certificate from a SANAS accredited verification agency attached to quotation for all quotes above R30 000.  
Please note that only the official Transnet RFQ will be accepted and all other correspondence to be attached to the original
4. Safety : To confirm to Transnet Capital Projects Health & Safety plan and specification; HAS-std-0001, copy available on request.
5. Confirmation: To confirm your participation in this tender process please sign and return this document as immediate effect prior to the quotation deadline.
6. Negotiations: The Employer may elect to negotiate the final terms of the contract/order with the preferred tenderer in accordance with Clauses F.2.17 and F.3.13 of the CIDB Standard Conditions of Tender. A copy of which is available upon request.

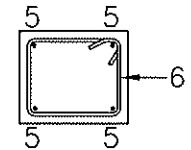
\_\_\_\_\_  
 Signature

\_\_\_\_\_  
 Date

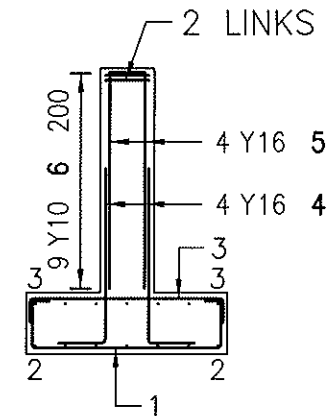
BAR MARK	BAR DIA	No. OFF MEMBERS	BARS PER MEMBER	TOTAL No OFF BARS	BAR CUT LENGTH	CODE	A	B	C	D	E/R	REV
1	Y12	2	7	14	2150	55	200	320	1220	320	200	
2	Y12	2	7	14	2100	55	200	300	1220	300	200	
3	Y12	2	14	28	1400	35	1220					
4	Y16	2	4	8	1400	37	300	1150				
5	Y16	2	4	8	1500	34	1400					
6	Y10	2	9	18	1250	60	250	300				



RC BASE C1 and C6



TYPICAL COL. SECTION



TYPICAL SECTION

COVER	
BASE	= 40mm
PLINTH	= 25mm

DIA	6	8	10	12	16	20	25	32	40	TOTAL
Y kg	0	0	14	88	37	0	0	0	0	138



DRAWN :  
WKO

PROJECT : PORT OF EAST LONDON - EAST BANK  
MEMBER : RC BEASE/PLINTH C1 and C6  
PART : 1300x1300x400 DEEP

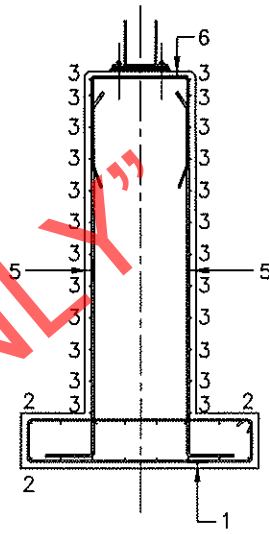
DATE / DATUM  
27.02.13

PROJECT No  
12238

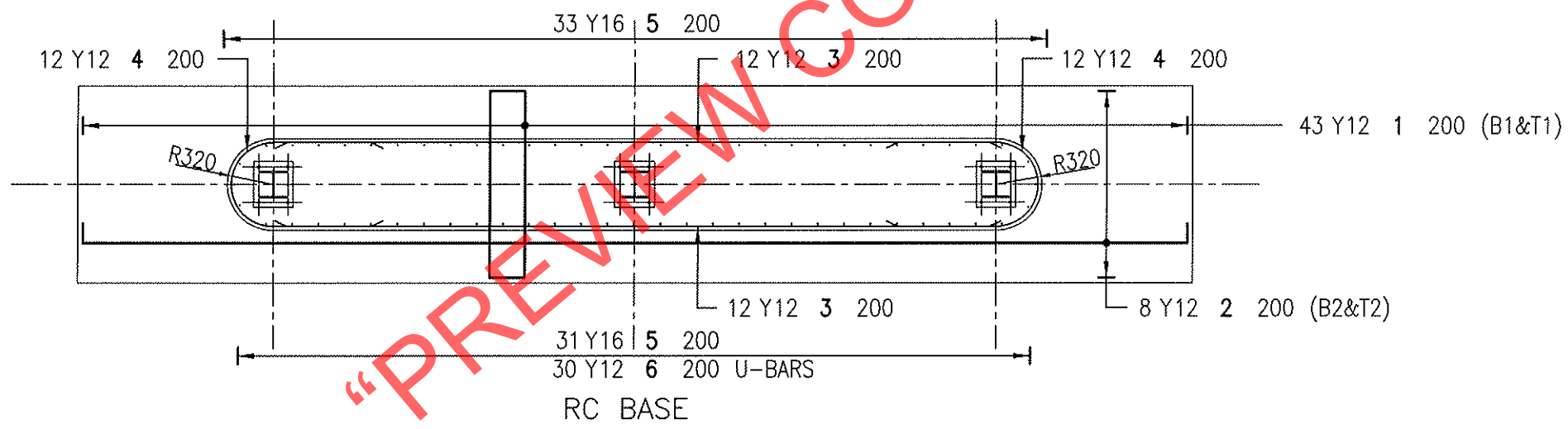
RCE-374-C-02/R 01  
BENDING SCHEDULE No

WYSICING REVISION  
0

BAR MARK	BAR DIA	NO. OFF MEMBERS	BARS PER MEMBER	TOTAL NO OFF BARS	BAR CUT LENGTH	CODE	A	B	C	D	E/R	REF V
1	Y12	1	43	43	3500	60	270	1420				
2	Y12	2	8	16	8600	35	8420					
3	Y12	1	24	24	5500	20	5500					
4	Y12	1	24	24	2650	39	1150	640	1150			
5	Y16	1	64	64	2550	37	300	2300				
6	Y12	1	30	30	2050	38	750	610	750			



TYPICAL SECTION



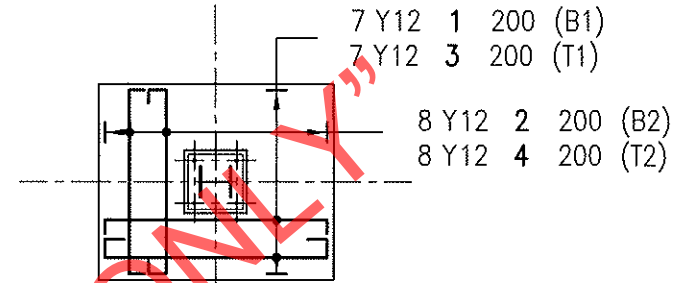
RC BASE

DIA	6	8	10	12	16	20	25	32	40	TOTAL
Y kg	0	0	0	484	258	0	0	0	0	742

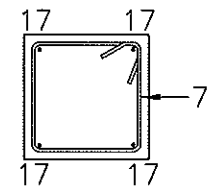
COVER  
 BASE = 40mm  
 PLINTH = 30mm

 Railway & Civil Engineering	 national ports authority	DRAWN :	PROJECT :	DATE / DATUM	PROJECT No	RCE-374-C-03/R 01 BENDING SCHEDULE No	WYSING REVISION 0
		WKO	PORT OF EAST LONDON - EAST BANK RC BEASE/PLINTH 1500x8500x350dp	27.02.13	12238		

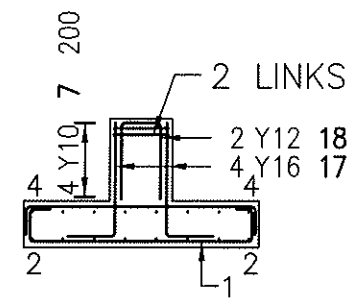
BAR MARK	BAR DIA	NO. OFF MEMBERS	BARS PER MEMBER	TOTAL No OFF BARS	BAR CUT LENGTH	CODE	A	B	C	D	E/R	REV
1	Y12	5	7	35	2150	55	200	220	1420	220	200	
2	Y12	5	8	40	1850	55	200	200	1170	200	200	
3	Y12	5	7	35	1600	35	1420					
4	Y12	5	8	40	1350	35	1170					
7	Y10	5	4	20	1550	60	350	350				
17	Y16	5	4	20	1000	37	300	730				
18	Y12	5	2	10	1250	38	500	330	500			



RC BASE C7 to C11  
(5 No. OFF)



TYPICAL COL. SECTION



TYPICAL SECTION

COVER  
BASE = 40mm  
PLINTH = 25mm

DIA	6	8	10	12	16	20	25	32	40	TOTAL
Y kg	0	0	19	241	32	0	0	0	0	292

**RCE CONSULTANTS**  
Railway & Civil Engineering

TRANSNET  
WKO

DRAWN : WKO  
PROJECT : PORT OF EAST LONDON - EAST BANK  
MEMBER : RC BEASE/PLINTH C1 to C5  
PART : 1500x1250x300 DEEP

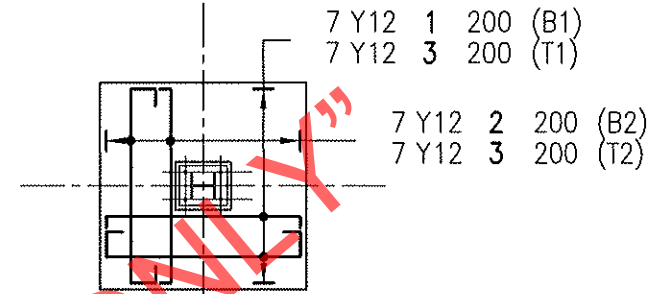
DATE / DATUM  
27.02.13

PROJECT No  
12238

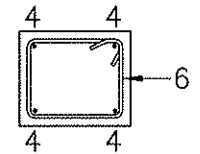
RCE-374-C-04/R 03  
BENDING SCHEDULE No

WYSING REVISION  
0

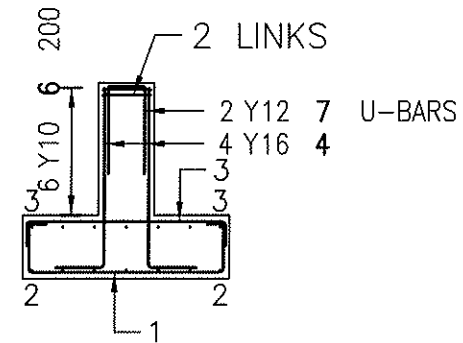
BAR MARK	BAR DIA	NO. EFF MEMBERS	BARS PER MEMBER	TOTAL No EFF BARS	BAR CUT LENGTH	CODE	A	B	C	D	E/R	REV
1	Y12	2	7	14	2150	55	200	320	1220	320	200	
2	Y12	2	7	14	2100	55	200	300	1220	300	200	
3	Y12	2	14	28	1400	35	1220					
4	Y16	2	4	8	1400	37	300	1150				
6	Y10	2	6	12	1250	60	250	300				
7	Y12	2	2	4	1300	38	550	270	550			



RC BASE C2 and C5



TYPICAL COL. SECTION



TYPICAL SECTION

COVER	
BASE	= 40mm
PLINTH	= 25mm

DIA	6	8	10	12	16	20	25	32	40	TOTAL
Y kg	0	0	9	92	18	0	0	0	0	119

**RCE CONSULTANTS**  
Railway & Civil Engineering

TRANSNET  
Infrastructure Services  
Sustainability

DRAWN BY  
WKO

PROJECT : PORT OF EAST LONDON - EAST BANK  
MEMBER : RC BEASE/PLINTH C2 and C5  
PART : 1300x1300x400 DEEP

DATE / DATUM  
27.02.13

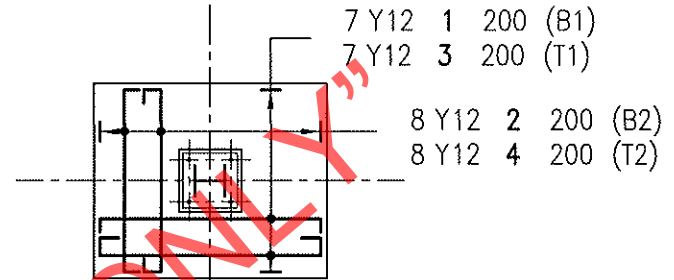
PROJECT No  
12238

RCE-374-C-02/R 02  
BENDING SCHEDULE No

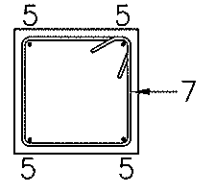
WYSING REVISION  
0



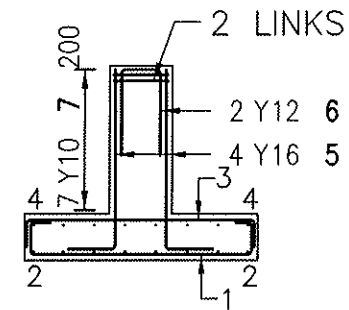
BAR MARK	BAR DIA	NO. OFF MEMBERS	BARS PER MEMBER	TOTAL NO OFF BARS	BAR CUT LENGTH	CODE	A	B	C	D	E/R	REV
1	Y12	5	7	35	2150	55	200	220	1420	220	200	
2	Y12	5	8	40	1850	55	200	200	1170	200	200	
3	Y12	5	7	35	1600	35	1420					
4	Y12	5	8	40	1350	35	1170					
5	Y16	5	4	20	1400	37	300	1160				
6	Y12	5	2	10	1350	38	550	330	550			
7	Y10	5	7	35	1550	60	350	350				



RC BASE C1 to C5  
(5 No. OFF)



TYPICAL COL. SECTION



TYPICAL SECTION

COVER  
BASE = 40mm  
PLINTH = 25mm

DIA	6	8	10	12	16	20	25	32	40	TOTAL
Y kg	0	0	33	242	44	0	0	0	0	320

**RCE CONSULTANTS**  
Railway & Civil Engineering

DRAWN : WKO  
PROJECT : PORT OF EAST LONDON - EAST BANK  
MEMBER : RC BEASE/PLINTH C1 to C5  
PART : 1500x1250x300 DEEP

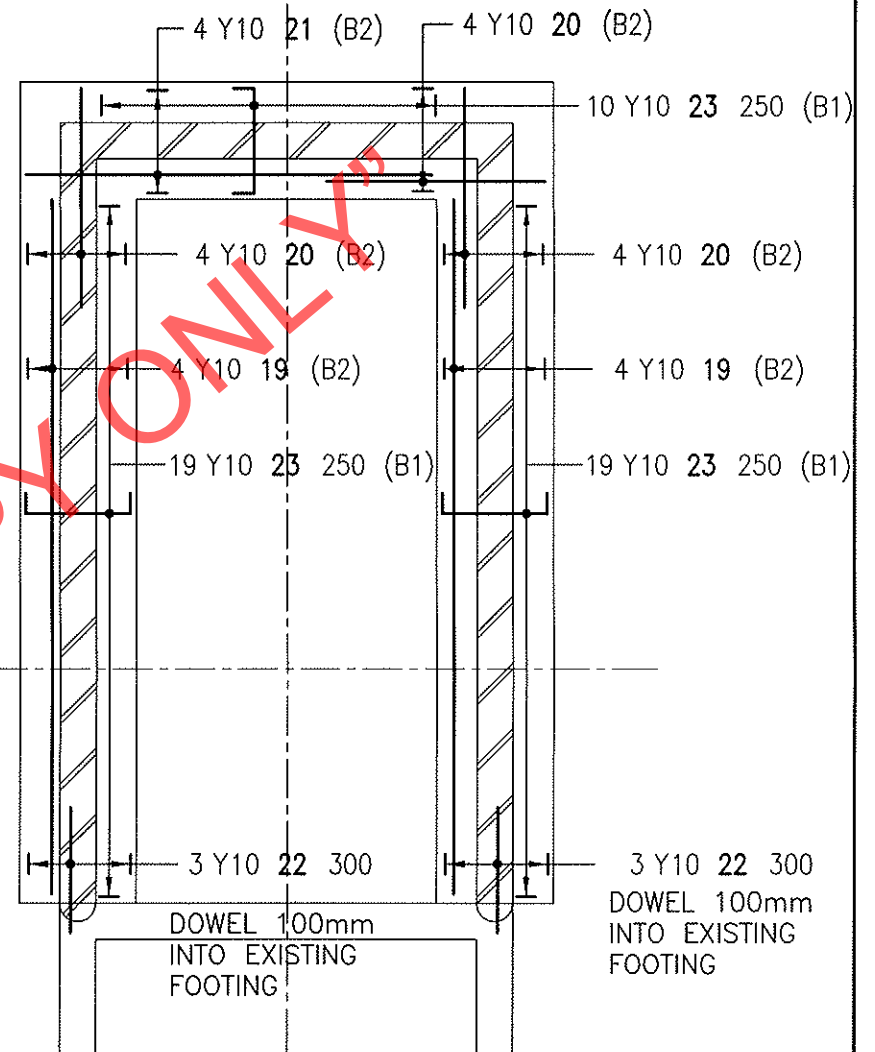
DATE / DATUM : 27.02.13  
PROJECT No : 12238

RCE-374-C-04/R 01  
BENDING SCHEDULE No : 0

PREVIEW COPY ONLY



BAR MARK	BAR DIA	No. OFF MEMBERS	BARS PER MEMBER	TOTAL No OFF BARS	BAR CUT LENGTH	CODE	A	B	C	D	E/R	REV
19	Y10	1	8	8	4450	20	4450					
20	Y10	1	12	12	1500	34	1400					
21	Y10	1	4	4	2700	34	2600					
22	Y10	1	6	6	800	20	800					
23	Y10	1	48	48	850	35	670					

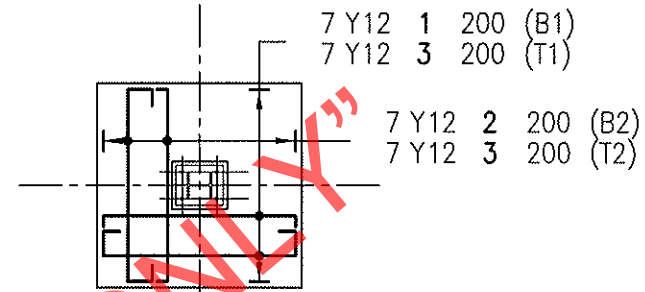


DIA	6	8	10	12	16	20	25	32	40	TOTAL
Y kg	0	0	68	0	0	0	0	0	0	68

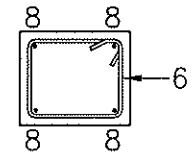
COVER  
FOUNDATION = 40mm

		DRAWN : WKO	PROJECT : PORT OF EAST LONDON - EAST BANK MEMBER : RC FOUNDATION PART : 750x250	DATE / DATUM 27.02.13	PROJECT No 12238	RCE-374-C-04/R 04 BENDING SCHEDULE No	WYSING REVISION 0
		RAILWAY & CIVIL ENGINEERING					

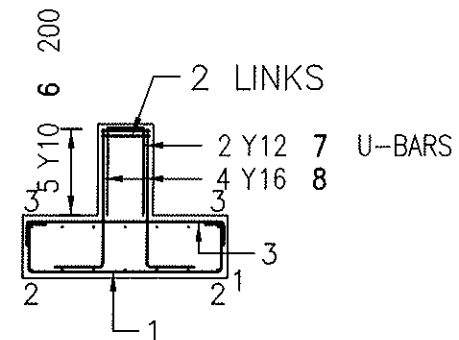
BAR MARK	BAR DIA	No OFF MEMBERS	BARS PER MEMBER	TOTAL No OFF BARS	BAR CUT LENGTH	CODE	A	B	C	D	E/R	RELV
1	Y12	2	7	14	2150	55	200	320	1220	320	200	
2	Y12	2	7	14	2100	55	200	300	1220	300	200	
3	Y12	2	14	28	1400	35	1220					
6	Y10	2	5	10	1250	60	250	300				
7	Y12	2	2	4	1300	38	550	270	550			
8	Y16	2	4	8	1150	37	300	890				



RC BASE C3 and C4



TYPICAL COL. SECTION

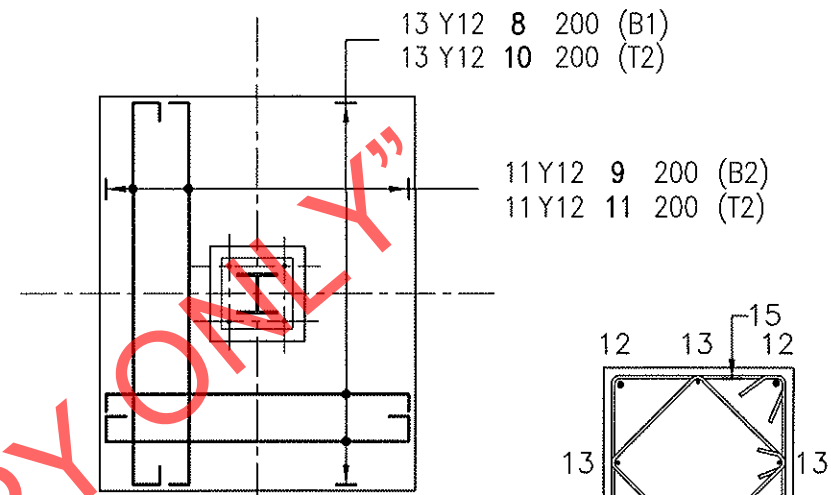


TYPICAL SECTION

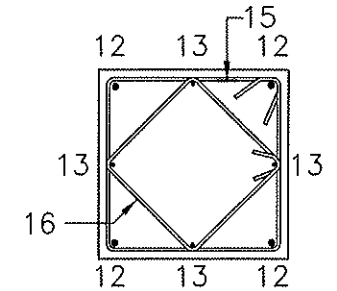
DIA	6	8	10	12	16	20	25	32	40	TOTAL
Y kg	0	0	8	92	15	0	0	0	0	114

COVER  
 BASE = 40mm  
 PLINTH = 25mm

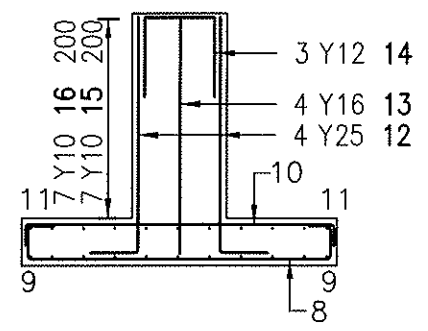
BAR MARK	BAR DIA	No. OFF MEMBERS	BARS PER MEMBER	TOTAL No OFF BARS	BAR CUT LENGTH	CODE	A	B	C	D	E/R	REV
8	Y12	2	13	26	2650	55	200	220	1920	220	200	
9	Y12	2	11	22	3100	55	200	200	2420	200	200	
10	Y12	2	13	26	2100	35	1920					
11	Y12	2	11	22	2600	35	2420					
12	Y25	2	4	8	1800	37	350	1510				
13	Y16	2	4	8	1750	37	300	1510				
14	Y12	2	3	6	1550	38	550	520	550			
15	Y10	2	7	14	2350	60	550	550				
16	Y10	2	7	14	1700	60	390	390				



RC BASE C6 and C12  
(2 No. OFF)



TYPICAL COL. SECTION



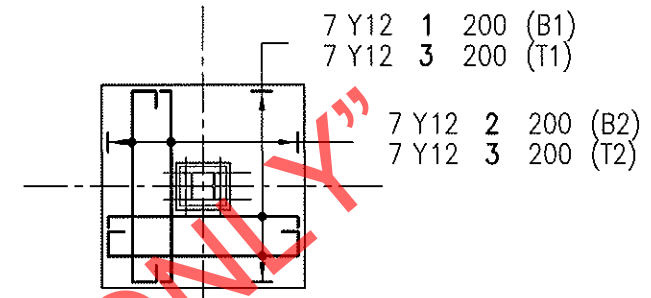
TYPICAL SECTION

COVER  
BASE = 40mm  
PLINTH = 25mm

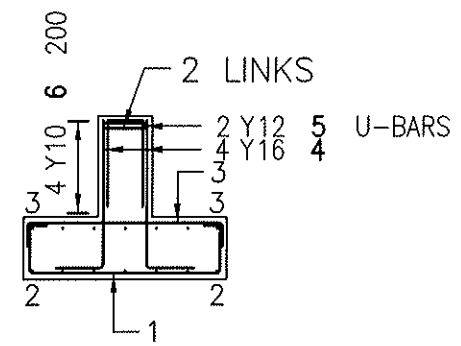
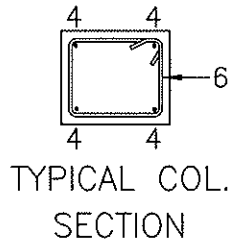
DIA	6	8	10	12	16	20	25	32	40	TOTAL
Y kg	0	0	35	229	22	0	55	0	0	342

		DRAWN :	PROJECT :	DATE / DATUM	PROJECT No	RCE-374-C-04/R 02 BENDING SCHEDULE No	WYSING REVISION 0
		WKO	PORT OF EAST LONDON - EAST BANK RC BEASE/PLINTH C6 and C12 2500x2000x300 DEEP	27.02.13	12238		

BAR MARK	BAR DIA	No OFF MEMBERS	BARS PER MEMBER	TOTAL No OFF BARS	BAR CUT LENGTH	CODE	A	B	C	D	E/R	REV
1	Y12	2	7	14	2150	55	200	320	1220	320	200	
2	Y12	2	7	14	2100	55	200	300	1220	300	200	
3	Y12	2	14	28	1400	35	1220					
4	Y16	2	4	8	1200	37	300	950				
5	Y12	2	2	4	1300	38	550	270	550			
6	Y10	2	4	8	1250	60	250	300				



RC BASE C1 and C6



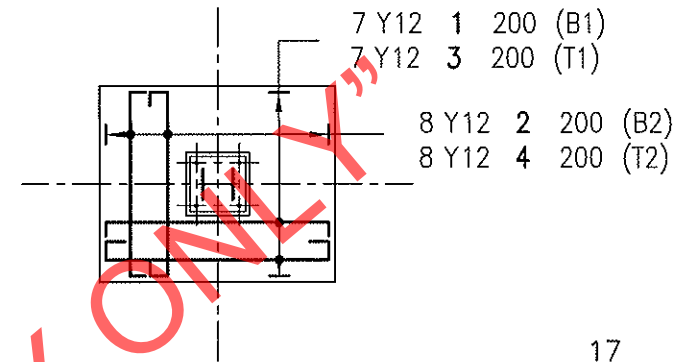
TYPICAL SECTION

COVER  
BASE = 40mm  
PLINTH = 25mm

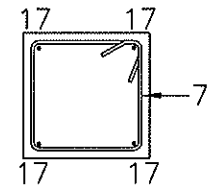
DIA	6	8	10	12	16	20	25	32	40	TOTAL
Y kg	0	0	6	92	15	0	0	0	0	114

		DRAWN : WKO	PROJECT : PORT OF EAST LONDON – WEST BANK	DATE / DATUM	PROJECT No	WYSING REVISION 0
			MEMBER : RC BEASE/PLINTH C1 and C6 PART : 1300x1300x400 DEEP	24.02.13	12238	

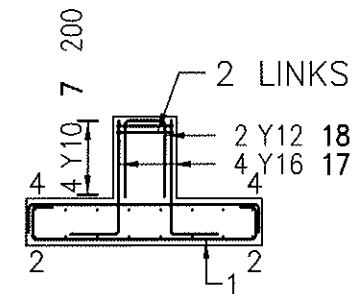
BAR MARK	BAR DIA	NO. OFF MEMBERS	BARS PER MEMBER	TOTAL No OFF BARS	BAR CUT LENGTH	CODE	A	B	C	D	E/R	REV
1	Y12	5	7	35	2150	55	200	220	1420	220	200	
2	Y12	5	8	40	1850	55	200	200	1170	200	200	
3	Y12	5	7	35	1600	35	1420					
4	Y12	5	8	40	1350	35	1170					
7	Y10	5	4	20	1550	60	350	350				
17	Y16	5	4	20	1000	37	300	730				
18	Y12	5	2	10	1250	38	500	330	500			



RC BASE C7 to C11  
(5 No. OFF)



TYPICAL COL. SECTION

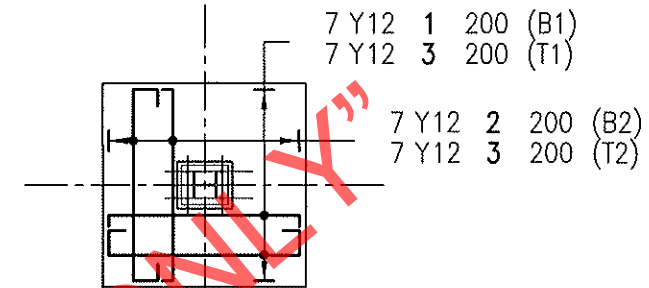


TYPICAL SECTION

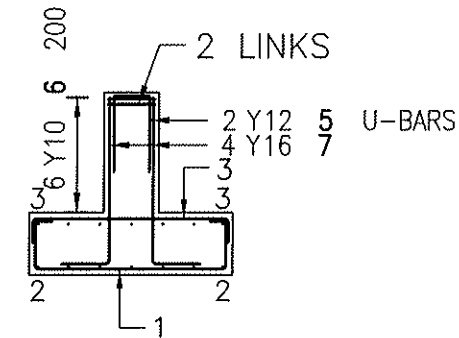
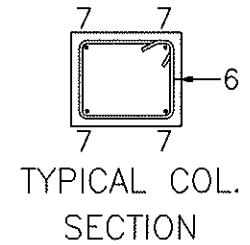
DIA	6	8	10	12	16	20	25	32	40	TOTAL
Y kg	0	0	19	241	32	0	0	0	0	292

COVER	
BASE	= 40mm
PLINTH	= 25mm

BAR MARK	BAR DIA	No. OFF MEMBERS	BARS PER MEMBER	TOTAL No OFF BARS	BAR CUT LENGTH	CODE	A	B	C	D	E/R	REV
1	Y12	2	7	14	2150	55	200	320	1220	320	200	
2	Y12	2	7	14	2100	55	200	300	1220	300	200	
3	Y12	2	14	28	1400	35	1220					
5	Y12	2	2	4	1300	38	550	270	550			
6	Y10	2	6	12	1250	60	250	300				
7	Y16	2	4	8	1350	37	300	1070				



RC BASE C2 and C5

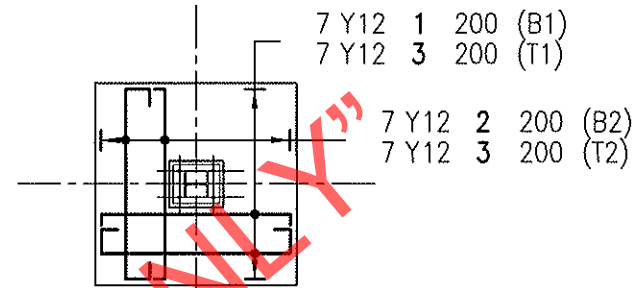


TYPICAL SECTION

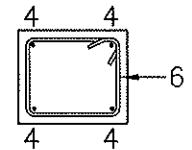
COVER  
BASE = 40mm  
PLINTH = 25mm

DIA	6	8	10	12	16	20	25	32	40	TOTAL
Y kg	0	0	9	92	17	0	0	0	0	119

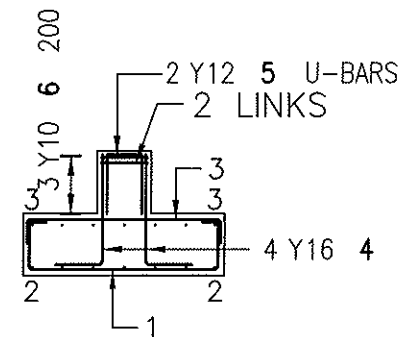
BAR MARK	BAR DIA	No. OFF MEMBERS	BARS PER MEMBER	TOTAL No OFF BARS	BAR CUT LENGTH	CODE	A	B	C	D	E/R	REV
1	Y12	4	7	28	2150	55	200	320	1220	320	200	
2	Y12	4	7	28	2100	55	200	300	1220	300	200	
3	Y12	4	14	56	1400	35	1220					
4	Y16	4	4	16	950	37	300	710				
5	Y12	4	2	8	900	38	350	270	350			
6	Y10	4	3	12	1250	60	250	300				



RC BASE C1,C6,C7 and C11  
(4 No.OFF)



TYPICAL COL. SECTION



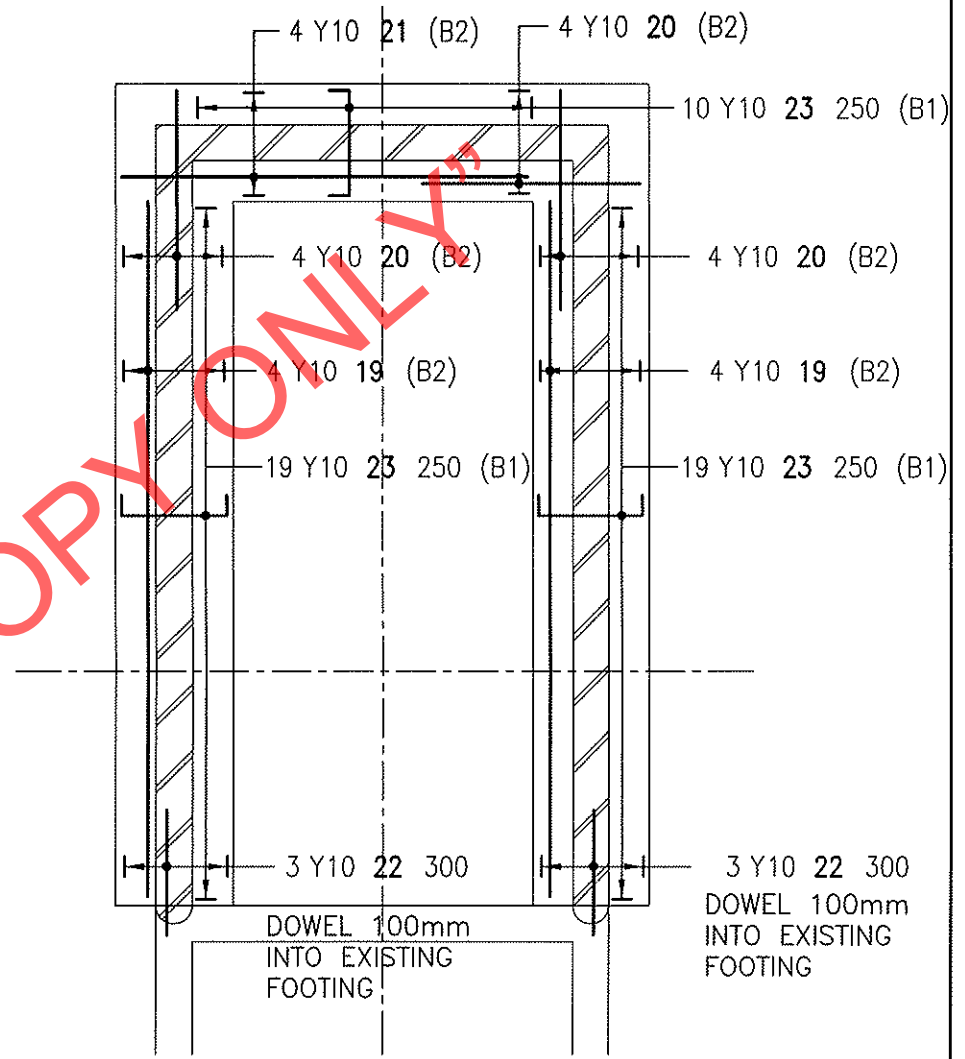
TYPICAL SECTION

COVER  
BASE = 40mm  
PLINTH = 25mm

DIA	6	8	10	12	16	20	25	32	40	TOTAL
Y kg	0	0	9	182	24	0	0	0	0	215



BAR MARK	BAR DIA	No. OFF MEMBERS	BARS PER MEMBER	TOTAL No OFF BARS	BAR CUT LENGTH	CODE	A	B	C	D	E/R	REV
19	Y10	1	8	8	4450	20	4450					
20	Y10	1	12	12	1500	34	1400					
21	Y10	1	4	4	2700	34	2600					
22	Y10	1	6	6	800	20	800					
23	Y10	1	48	48	850	35	670					

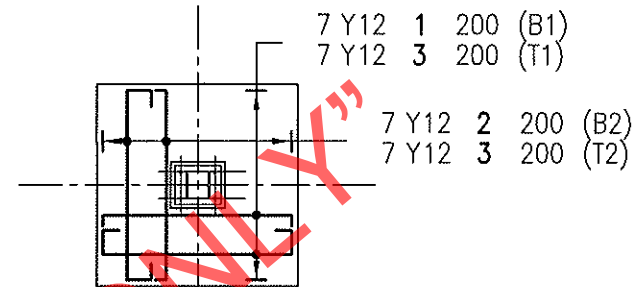


DIA	6	8	10	12	16	20	25	32	40	TOTAL
Y kg	0	0	68	0	0	0	0	0	0	68

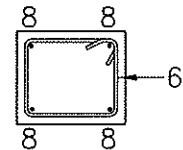
COVER  
FOUNDATION = 40mm

 Railway & Civil Engineering	 DRAWN : WKO	PROJECT : PORT OF EAST LONDON -- EAST BANK MEMBER : RC FOUNDATION PART : 750x250	DATE / DATUM 27.02.13	PROJECT No 12238	WYSING REVISION 0
				RCE-374-C-04/R 04 BENDING SCHEDULE No	

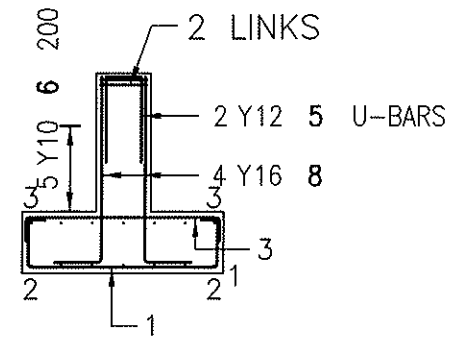
BAR MARK	BAR DIA	NO. OFF MEMBERS	BARS PER MEMBER	TOTAL No OFF BARS	BAR CUT LENGTH	CODE	A	B	C	D	E/R	REV
1	Y12	2	7	14	2150	55	200	320	1220	320	200	
2	Y12	2	7	14	2100	55	200	300	1220	300	200	
3	Y12	2	14	28	1400	35	1220					
5	Y12	2	2	4	1300	38	550	270	550			
6	Y10	2	5	10	1250	60	250	300				
8	Y16	2	4	8	1450	37	300	1200				



RC BASE C3 and C4



TYPICAL COL. SECTION



TYPICAL SECTION

DIA	6	8	10	12	16	20	25	32	40	TOTAL
Y kg	0	0	8	92	18	0	0	0	0	118

COVER  
BASE = 40mm  
PLINTH = 25mm

**RCE CONSULTANTS**  
Railway & Civil Engineering

TRANSNER  
WKO

DRAWN : WKO

PROJECT : PORT OF EAST LONDON - EAST BANK  
MEMBER : RC BEASE/PLINTH C3 and C4  
PART : 1300x1300x400 DEEP

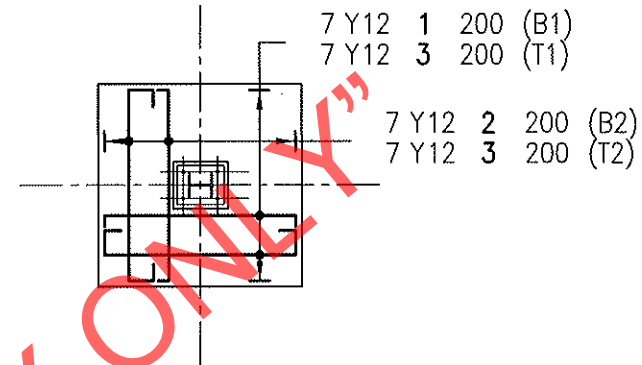
DATE / DATUM  
24.02.13

PROJECT No  
12238

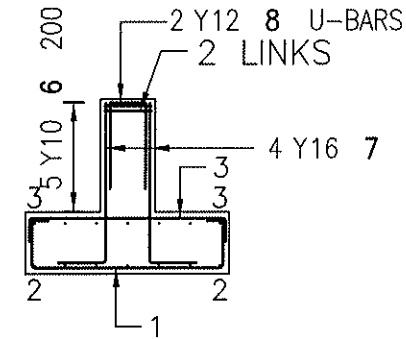
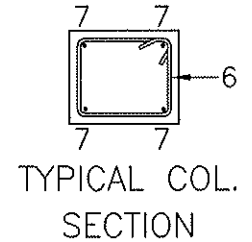
RCE-374-C-05/R 03  
BENDING SCHEDULE No

WYSING REVISION  
0

BAR MARK	BAR DIA	No. OFF MEMBERS	BARS PER MEMBER	TOTAL No OFF BARS	BAR CUT LENGTH	CODE	A	B	C	D	E/R	REV
1	Y12	2	7	14	2150	55	200	320	1220	320	200	
2	Y12	2	7	14	2100	55	200	300	1220	300	200	
3	Y12	2	14	28	1400	35	1220					
6	Y10	2	5	10	1250	60	250	300				
7	Y16	2	4	8	1300	37	300	1030				
8	Y12	2	2	4	1300	38	550	270	550			



RC BASE C2 and C5  
(2 No.OFF)



TYPICAL SECTION

COVER	
BASE	= 40mm
PLINTH	= 25mm

DIA	6	8	10	12	16	20	25	32	40	TOTAL
Y kg	0	0	8	92	16	0	0	0	0	116

**RCE CONSULTANTS**  
Railway & Civil Engineering

TRANSNET  
National Institute of Standards and Technology

DRAWN : WKO

PROJECT : PORT OF EAST LONDON – WEST BANK  
MEMBER : RC BEASE/PLINTH C2 & C5  
PART : 1300x1300x400 DEEP

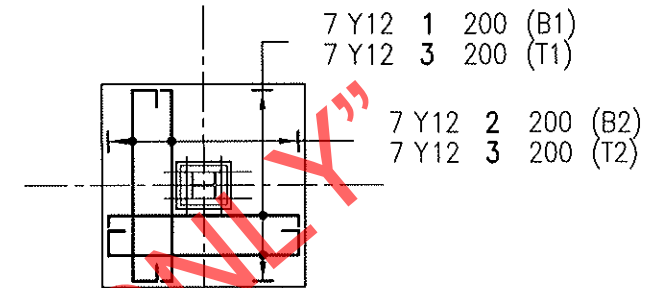
DATE / DATUM  
27.02.13

PROJECT No  
12238

RCE-374-C-07/R 02  
BENDING SCHEDULE No

WYSIGING REVISION  
0

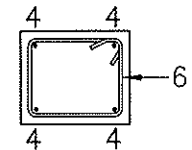
BAR MARK	BAR DIA	No. OFF MEMBERS	BARS PER MEMBER	TOTAL No OFF BARS	BAR CUT LENGTH	CODE	A	B	C	D	E/R	REV
1	Y12	2	7	14	2150	55	200	320	1220	320	200	
2	Y12	2	7	14	2100	55	200	300	1220	300	200	
3	Y12	2	14	28	1400	35	1220					
4	Y16	2	4	8	1200	37	300	950				
5	Y12	2	2	4	1300	38	550	270	550			
6	Y10	2	4	8	1250	60	250	300				



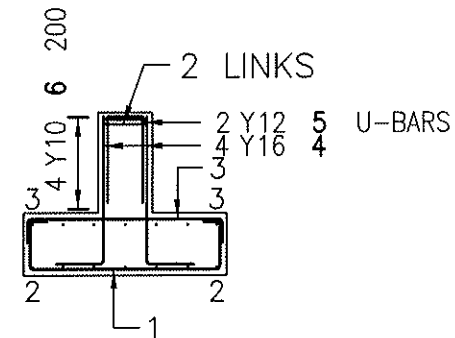
7 Y12 1 200 (B1)  
7 Y12 3 200 (T1)

7 Y12 2 200 (B2)  
7 Y12 3 200 (T2)

RC BASE C1 and C6



TYPICAL COL. SECTION

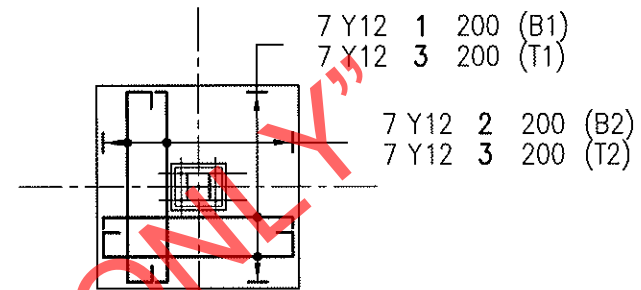


TYPICAL SECTION

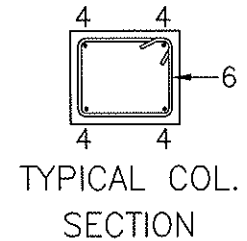
COVER  
BASE = 40mm  
PLINTH = 25mm

DIA	6	8	10	12	16	20	25	32	40	TOTAL
Y kg	0	0	6	92	15	0	0	0	0	114

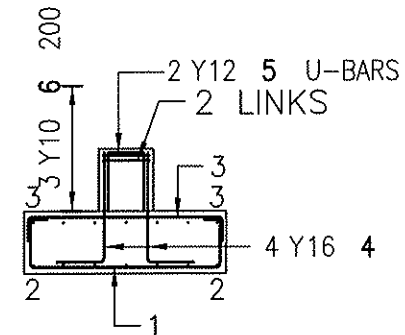
BAR MARK	BAR DIA	NO. OFF MEMBERS	BARS PER MEMBER	TOTAL NO OFF BARS	BAR CUT LENGTH	CODE	A	B	C	D	E/R	REV
1	Y12	5	7	35	2150	55	200	320	1220	320	200	
2	Y12	5	7	35	2100	55	200	300	1220	300	200	
3	Y12	5	14	70	1400	35	1220					
4	Y16	5	4	20	950	37	300	710				
5	Y12	5	2	10	900	38	350	270	350			
6	Y10	5	3	15	1250	60	250	300				



RC BASE C1 to C5  
(5 No.OFF)



TYPICAL COL. SECTION



TYPICAL SECTION

COVER	
BASE	= 40mm
PLINTH	= 25mm

DIA	6	8	10	12	16	20	25	32	40	TOTAL
Y kg	0	0	12	227	30	0	0	0	0	269

**RCE CONSULTANTS**  
Railway & Civil Engineering

TRANSNET  
Infrastructure  
Solutions

DRAWN BY: WKO  
PROJECT: PORT OF EAST LONDON - EAST BANK  
MEMBER: RC BEASE/PLINTH C1 to C5  
PART: 1300x1300x400 DEEP

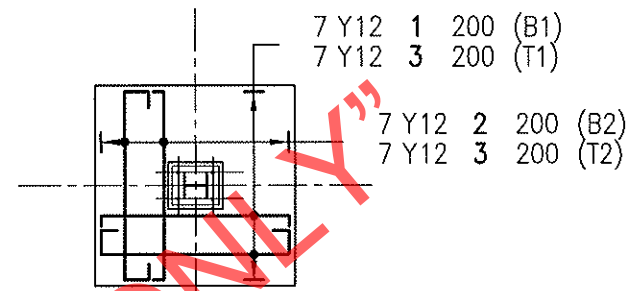
DATE / DATUM  
27.02.13

PROJECT No  
12238

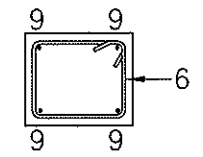
RCE-374-C-06/R 01  
BENDING SCHEDULE No

WYSING REVISION  
0

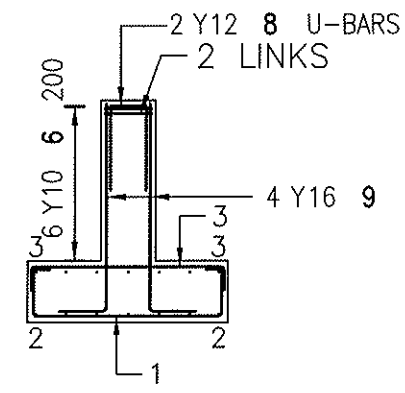
BAR MARK	BAR DIA	No. OFF MEMBERS	BARS PER MEMBER	TOTAL No OFF BARS	BAR CUT LENGTH	CODE	A	B	C	D	E/R	REV
1	Y12	2	7	14	2150	55	200	320	1220	320	200	
2	Y12	2	7	14	2100	55	200	300	1220	300	200	
3	Y12	2	14	28	1400	35	1220					
6	Y10	2	6	12	1250	60	250	300				
8	Y12	2	2	4	1300	38	550	270	550			
9	Y16	2	4	8	1600	37	300	1350				



RC BASE C3 and C4  
(2 No.OFF)



TYPICAL COL. SECTION



TYPICAL SECTION

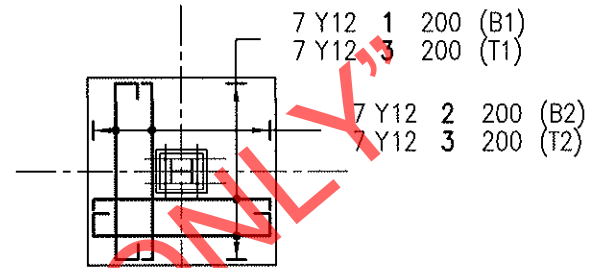
COVER  
BASE = 40mm  
PLINTH = 25mm

DIA	6	8	10	12	16	20	25	32	40	TOTAL
Y kg	0	0	9	92	20	0	0	0	0	122

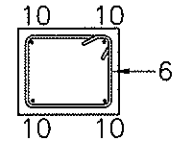
 Railway & Civil Engineering	 TRANSNET	DRAWN : WKO	PROJECT : PORT OF EAST LONDON – WEST BANK	DATE / DATUM	PROJECT No	RCE-374-C-07/R 03 BENDING SCHEDULE No	WYSIGING REVISION 0
			MEMBER : RC BEASE/PLINTH C3 & C4	27.02.13	12238		
			PART : 1300x1300x400 DEEP				



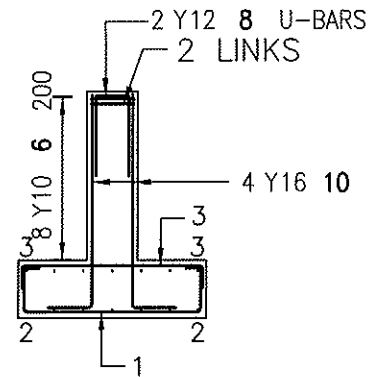
BAR MARK	BAR DIA	No. OFF MEMBERS	BARS PER MEMBER	TOTAL No OFF BARS	BAR CUT LENGTH	CODE	A	B	C	D	E/R	REV
1	Y12	2	7	14	2150	55	200	320	1220	320	200	
2	Y12	2	7	14	2100	55	200	300	1220	300	200	
3	Y12	2	14	28	1400	35	1220					
6	Y10	2	8	16	1250	60	250	300				
8	Y12	2	2	4	1300	38	550	270	550			
10	Y16	2	4	8	1750	37	300	1480				



RC BASE C8 and C9  
(2 No.OFF)



TYPICAL COL. SECTION



TYPICAL SECTION

DIA	6	8	10	12	16	20	25	32	40	TOTAL
Y kg	0	0	12	92	22	0	0	0	0	127

COVER  
BASE = 40mm  
PLINTH = 25mm



DRAWN :  
WKO

PROJECT : PORT OF EAST LONDON - WEST BANK  
MEMBER : RC BEASE/PLINTH C8 & C9  
PART : 1300x1300x400 DEEP

DATE / DATUM  
27.02.13

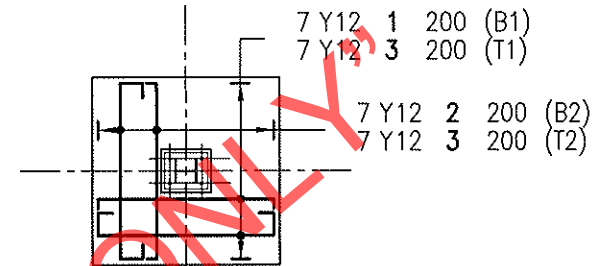
PROJECT No  
12238

RCE-374-C-07/R 04  
BENDING SCHEDULE No

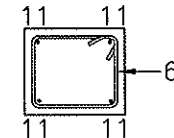
WYSIGING REVISION  
0



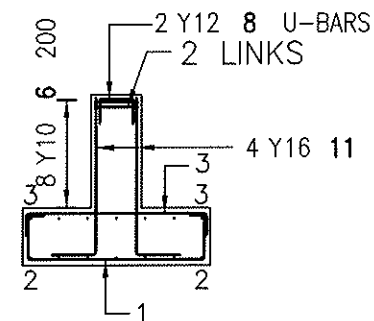
BAR MARK	BAR DIA	No. DIFF MEMBERS	BARS PER MEMBER	TOTAL No. DIFF BARS	BAR CUT LENGTH	CODE	A	B	C	D	E/R	REV
1	Y12	2	7	14	2150	55	200	320	1220	320	200	
2	Y12	2	7	14	2100	55	200	300	1220	300	200	
3	Y12	2	14	28	1400	35	1220					
6	Y10	2	8	16	1250	60	250	300				
8	Y12	2	2	4	1300	38	550	270	550			
11	Y16	2	4	8	1350	37	300	1090				



RC BASE C10



TYPICAL COL. SECTION



TYPICAL SECTION

COVER  
 BASE = 40mm  
 PLINTH = 25mm

DIA	6	8	10	12	16	20	25	32	40	TOTAL
Y kg	0	0	12	92	17	0	0	0	0	122



DRAWN :  
WKO

PROJECT : PORT OF EAST LONDON - WEST BANK  
 MEMBER : RC BEASE/PLINTH C10  
 PART : 1300x1300x400 DEEP

DATE / DATUM  
27.02.13

PROJECT No  
12238

RCE-374-C-07/R 05  
BENDING SCHEDULE No

WYSING REVISION  
0